

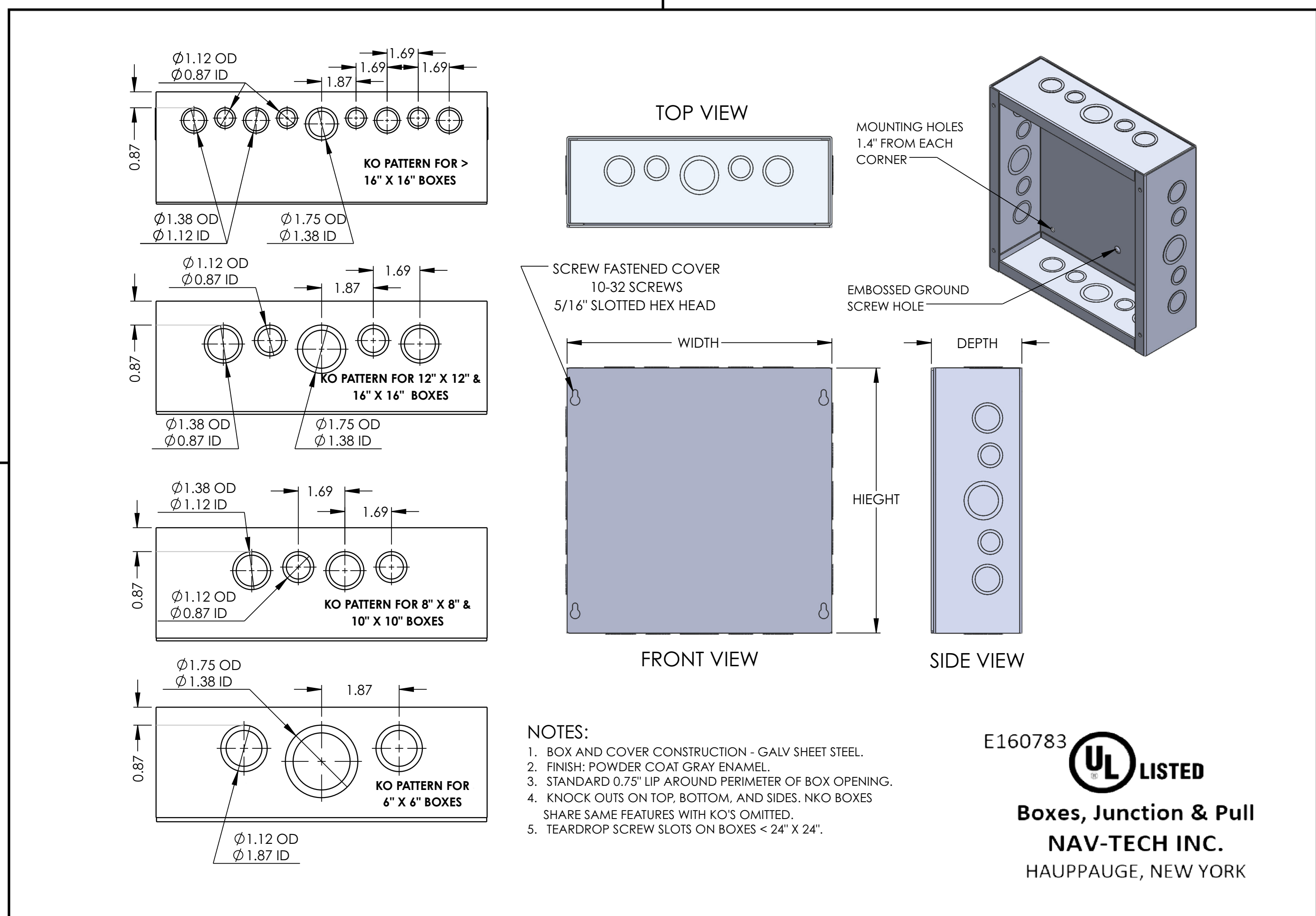
Description:

Engineered for reliable protection of electrical and control equipment, Nav-Tech NEMA enclosures are available in multiple configurations for indoor and outdoor use. With options spanning Type 1, Type 3R, and Type 4X ratings, these enclosures deliver durability, flexibility, and compliance with UL and NEMA standards across a wide range of applications.

Contents:

Screw Cover Boxes Type 1 Indoor
Screw Cover Boxes Type 3R Outdoor
Weatherproof Screw Cover Boxes Types 3/4/12/13
Hinge Screw Cover Box Type 1
Weatherproof Hinge Cover Box Type 4X
Submersible Hinge Cover Box Type 6/6P
Oversized Cabinets





Features

- Enclosure and cover are produced with 16, 14, or 12 gauge steel in accordance with UL standards.
- Available with or without knockouts. For no knockouts, refer to suffix -NK in catalog number.
- Available with or without paint. For no paint, refer to suffix -NP in catalog number. Unpainted enclosures are made to order.
- Covers have teardrop slots for easy installation and are attached to body with plated screws.
- Grounding embossment standard in rear of box. Grounding screws sold separately.
- Holes are incorporated into the back of enclosure for mounting.
- ANSI 61 wrinkle gray polyester powder coating.
- Available Accessories: Flush cover, replacement cover, extra screws, ground screws, back plates.

Application

- Designed for use as a junction box or pull box.
- For indoor use to provide protection against contact with enclosed equipment where moisture and dust are not a problem.

- UL 50 listed
- NEMA 1 enclosure



Screw Cover Boxes Type 1 Indoor

***Stainless steel or aluminum available upon request**
***Additional sizes available upon request**

No Knockouts		
Catalog Number	Dimensions H x W x D (Inches)	UPC Codes
SC664NK	6x6x4	616983211205
SC666NK	6x6x6	616983211229
SC884NK	8x8x4	616983211250
SC886NK	8x8x6	616983211274
SC10104NK	10x10x4	616983210581
SC10106NK	10x10x6	616983210604
SC10108NK	10x10x8	616983210628
SC12124NK	12x12x4	616983210642
SC12126NK	12x12x6	616983210666
SC12128NK	12x12x8	616983210673
SC18126NK	18x12x6	616983210734
SC18184NK	18x18x4	616983210772
SC18186NK	18x18x6	705332319119
SC18188NK	18x18x8	705332319126
SC181812NK	18x18x12	616983210758
SC24124NK	24x12x4	616983210826
SC24126NK	24x12x6	616983210840
SC24244NK	24x24x4	616983210932
SC24246NK	24x24x6	616983210956
SC24248NK	24x24x8	616983210963
SC242410NK	24x24x10	616983210895
SC242412NK	24x24x12	616983210901
SC242418NK	24x24x18	616983210918
SC30304NK	30x30x4	616983211007
SC30306NK	30x30x6	616983211014
SC30308NK	30x30x8	616983211021
SC303012NK	30x30x12	616983210987
SC36248NK	36x24x8	616983211076
SC362412NK	36x24x12	616983211052
SC36368NK	36x36x8	616983211137
SC363610NK	36x36x10	616983211083
SC363612NK	36x36x12	616983211090
SC36366NK	36x36x16	616983211120
SC363618NK	36x36x18	616983211106
SC363624NK	36x36x24	616983211113
SC484812NK	48x48x12	705332319140
SC484818NK	48x48x18	705332319157

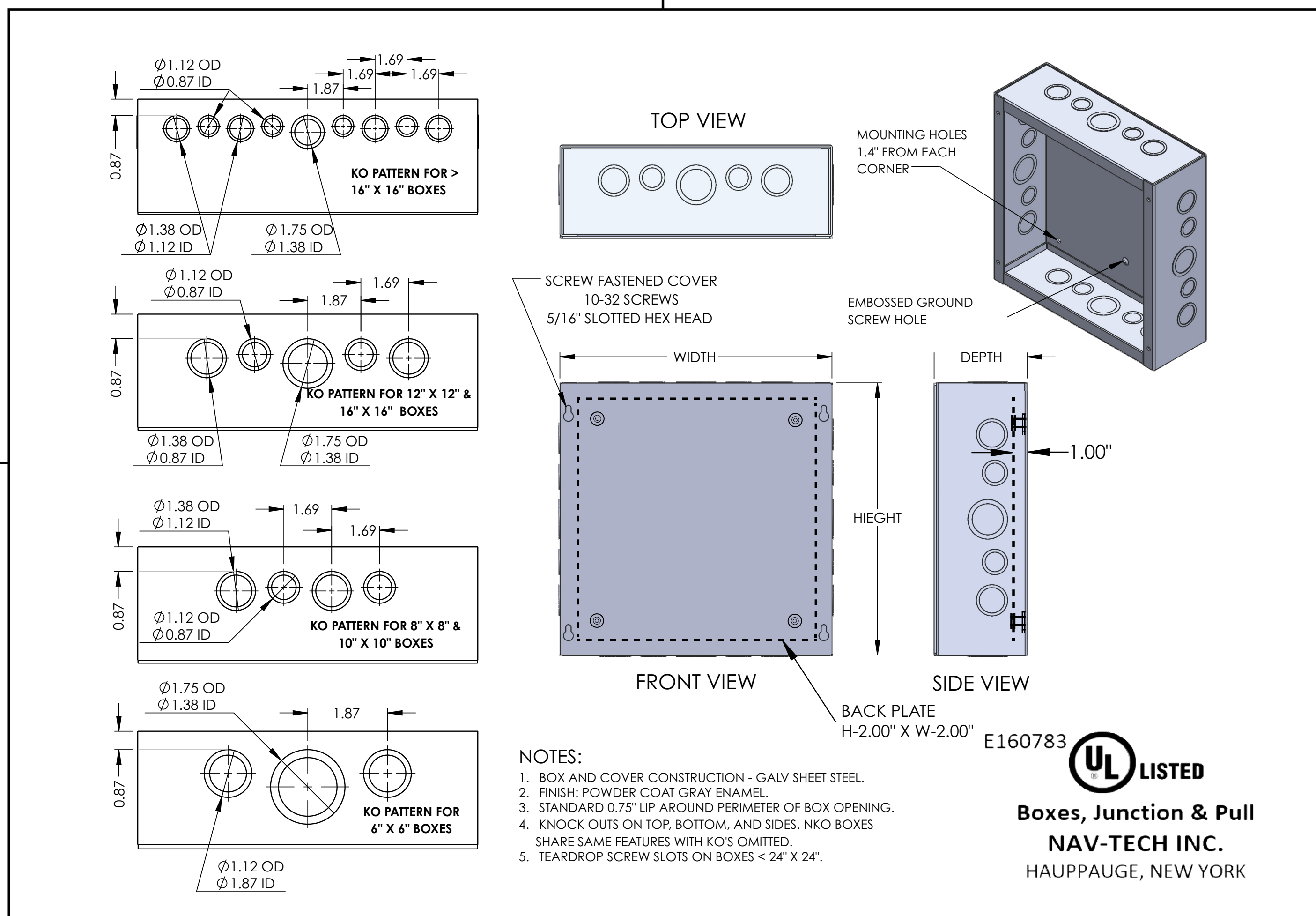
Knockouts		
Catalog Number	Dimensions H x W x D (Inches)	UPC Codes
SC664	6x6x4	616983211199
SC666	6x6x6	616983211212
SC864	8x6x4	616983211236
SC884	8x8x4	616983211243
SC886	8x8x6	616983211267
SC888	8x8x8	616983211281
SC10104	10x10x4	616983210574
SC10106	10x10x6	616983210598
SC12124	12x12x4	616983210635
SC12126	12x12x6	616983210659
SC16126	16x12x6	616983210680
SC16164	16x16x4	616983210697
SC16166	16x16x6	616983210703
SC16168NK	16x16x8	705332309899
SC18124	18x12x4	616983210710
SC18126	18x12x6	616983210727
SC18128NK	18x12x8	616983210741
SC18184	18x18x4	616983210765
SC18186	18x18x6	616983210789
SC181810	18x18x10	705332319102
SC24126	24x12x6	616983210833
SC24184	24x18x4	616983210871
SC24186	24x18x6	616983210888
SC24244	24x18x10	616983210925
SC24246	24x24x4	616983210949
SC241810	24x24x6	616983210857
SC30306	30x30x6	705332319133
SC303010NK	30x30x10	616983210970
SC303018NK	30x30x18	616983210994
SC484812	48x48x12	616983211168
SC484824NK	48x48x24	616983211175



- UL 50 listed
- NEMA 1 enclosure



Screw Cover Boxes Type 1 Indoor With Back Plate



Features

- Enclosure and cover are produced with 16, 14, or 12 gauge steel in accordance with UL standards.
- Available with or without knockouts. For no knockouts, refer to suffix -NK in catalog number.
- Available with or without paint. For no paint, refer to suffix -NP in catalog number. Unpainted enclosures are made to order.
- Covers have teardrop slots for easy installation and are attached to body with plated screws.
- Grounding embossment standard in rear of box. Grounding screws sold separately.
- Holes are incorporated into the back of enclosure for mounting.
- ANSI 61 wrinkle gray polyester powder coating.
- Available Accessories: Flush cover, replacement cover, extra screws, ground screws, back plates.

Application

- Designed for use as a junction box or pull box.
- For indoor use to provide protection against contact with enclosed equipment where moisture and dust are not a problem.

- UL 50 listed
- NEMA 1 enclosure



Screw Cover Boxes Type 1 Indoor With Back Plate

***Stainless steel or aluminum available upon request**
***Additional sizes available upon request**
***Use suffix-BP for enclosures with back plate**

No Knockouts		
Catalog Number	Dimensions H x W x D (Inches)	UPC Codes
SC664NK	6x6x4	616983211205
SC666NK	6x6x6	616983211229
SC884NK	8x8x4	616983211250
SC886NK	8x8x6	616983211274
SC10104NK	10x10x4	616983210581
SC10106NK	10x10x6	616983210604
SC10108NK	10x10x8	616983210628
SC12124NK	12x12x4	616983210642
SC12126NK	12x12x6	616983210666
SC12128NK	12x12x8	616983210673
SC18126NK	18x12x6	616983210734
SC18184NK	18x18x4	616983210772
SC18186NK	18x18x6	705332319119
SC18188NK	18x18x8	705332319126
SC181812NK	18x18x12	616983210758
SC24124NK	24x12x4	616983210826
SC24126NK	24x12x6	616983210840
SC24244NK	24x24x4	616983210932
SC24246NK	24x24x6	616983210956
SC24248NK	24x24x8	616983210963
SC242410NK	24x24x10	616983210895
SC242412NK	24x24x12	616983210901
SC242418NK	24x24x18	616983210918
SC30304NK	30x30x4	616983211007
SC30306NK	30x30x6	616983211014
SC30308NK	30x30x8	616983211021
SC303012NK	30x30x12	616983210987
SC36248NK	36x24x8	616983211076
SC362412NK	36x24x12	616983211052
SC36368NK	36x36x8	616983211137
SC363610NK	36x36x10	616983211083
SC363612NK	36x36x12	616983211090
SC36366NK	36x36x16	616983211120
SC363618NK	36x36x18	616983211106
SC363624NK	36x36x24	616983211113
SC484812NK	48x48x12	705332319140
SC484818NK	48x48x18	705332319157

Knockouts		
Catalog Number	Dimensions H x W x D (Inches)	UPC Codes
SC664	6x6x4	616983211199
SC666	6x6x6	616983211212
SC864	8x6x4	616983211236
SC884	8x8x4	616983211243
SC886	8x8x6	616983211267
SC888	8x8x8	616983211281
SC10104	10x10x4	616983210574
SC10106	10x10x6	616983210598
SC12124	12x12x4	616983210635
SC12126	12x12x6	616983210659
SC16126	16x12x6	616983210680
SC16164	16x16x4	616983210697
SC16166	16x16x6	616983210703
SC16168NK	16x16x8	705332309899
SC18124	18x12x4	616983210710
SC18126	18x12x6	616983210727
SC18128NK	18x12x8	616983210741
SC18184	18x18x4	616983210765
SC18186	18x18x6	616983210789
SC181810	18x18x10	705332319102
SC24126	24x12x6	616983210833
SC24184	24x18x4	616983210871
SC24186	24x18x6	616983210888
SC24244	24x18x10	616983210925
SC24246	24x24x4	616983210949
SC241810	24x24x6	616983210857
SC30306	30x30x6	705332319133
SC303010NK	30x30x10	616983210970
SC303018NK	30x30x18	616983210994
SC484812	48x48x12	616983211168
SC484824NK	48x48x24	616983211175



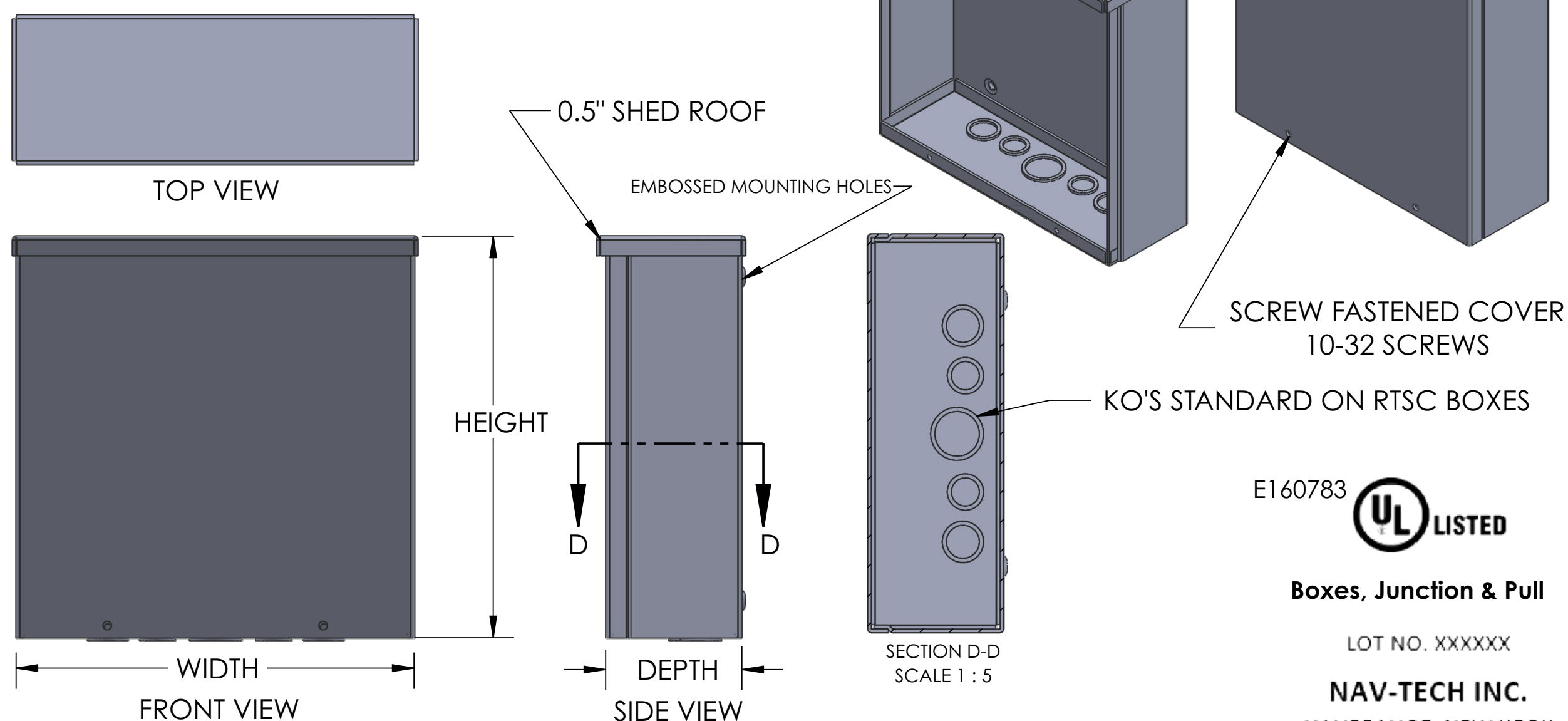
- UL 50 listed
- NEMA 1 enclosure



Screw Cover Boxes Type 3R Raintight Outdoor

NOTES:

1. BOX AND COVER CONSTRUCTION- GALV SHEET STEEL.
2. FINISH: POWDER COAT GRAY ENAMEL.
3. STANDARD 0.75" LIP ON BOTTOM EDGE OF OPENING.
4. RAIN TIGHT SHED ROOF CONSTRUCTION INCLUDES STITCH WELD EDGES EMBOSSED MOUNTING POINTS ON ALL FOUR CORNERS, SLIDE ON SCREW COVERS.
5. KO'S COME STANDARD ON BOTTOM OF RAIN TIGHT SCREW COVER BOXES.



Features

- Enclosure and cover are manufactured from 16, 14, or 12 gauge G90 galvanized steel in accordance with UL Standards.
- The cover is designed to fit under the shed roof, held in place with plated steel screws.
- Available with or without paint—for no paint refer to suffix -NP in the catalog number. Unpainted enclosures are made to order.
- Boxes are available with or without concentric knockouts on the bottom—for no knockouts refer to suffix -NK in the catalog number. NK boxes are made to order.
- Mounting holes are embossed on the rear of each enclosure.
- ANSI 61 gray polyester powder coating wrinkle.
- Available Accessories: Replacement cover, touch-up paint, barrel lock, replacement screws, backplates, ground screws.

Application

- Designed for use as a junction box or pull box.
- For outdoor use to provide protection against rain, sleet or snow, or indoors where dripping water is a problem.

- NEMA Type 3R
- UL 50 Type 3R
- CUL Type 3R (equivalent to CSA)



Screw Cover Boxes Type 3R Raintight Outdoor

*Stainless steel or aluminum available upon request
*Additional sizes available upon request

Catalog Number	Dimensions H x W x D (Inches)	UPC Codes
RTSC664	6x6x4	616983210383
RTSC666	6X6X6	616983210390
RTSC884	8x8x4	616983210406
RTSC886	8x8x6	616983210413
RTSC10104	10x10x4	616983210321
RTSC10106	10x10x6	616983210338
RTSC12124	12x12x4	616983210345
RTSC12126	12x12x6	616983210352
RTSC18186	18x18x6	616983210369
RTSC24246	24x24x6	616983210376



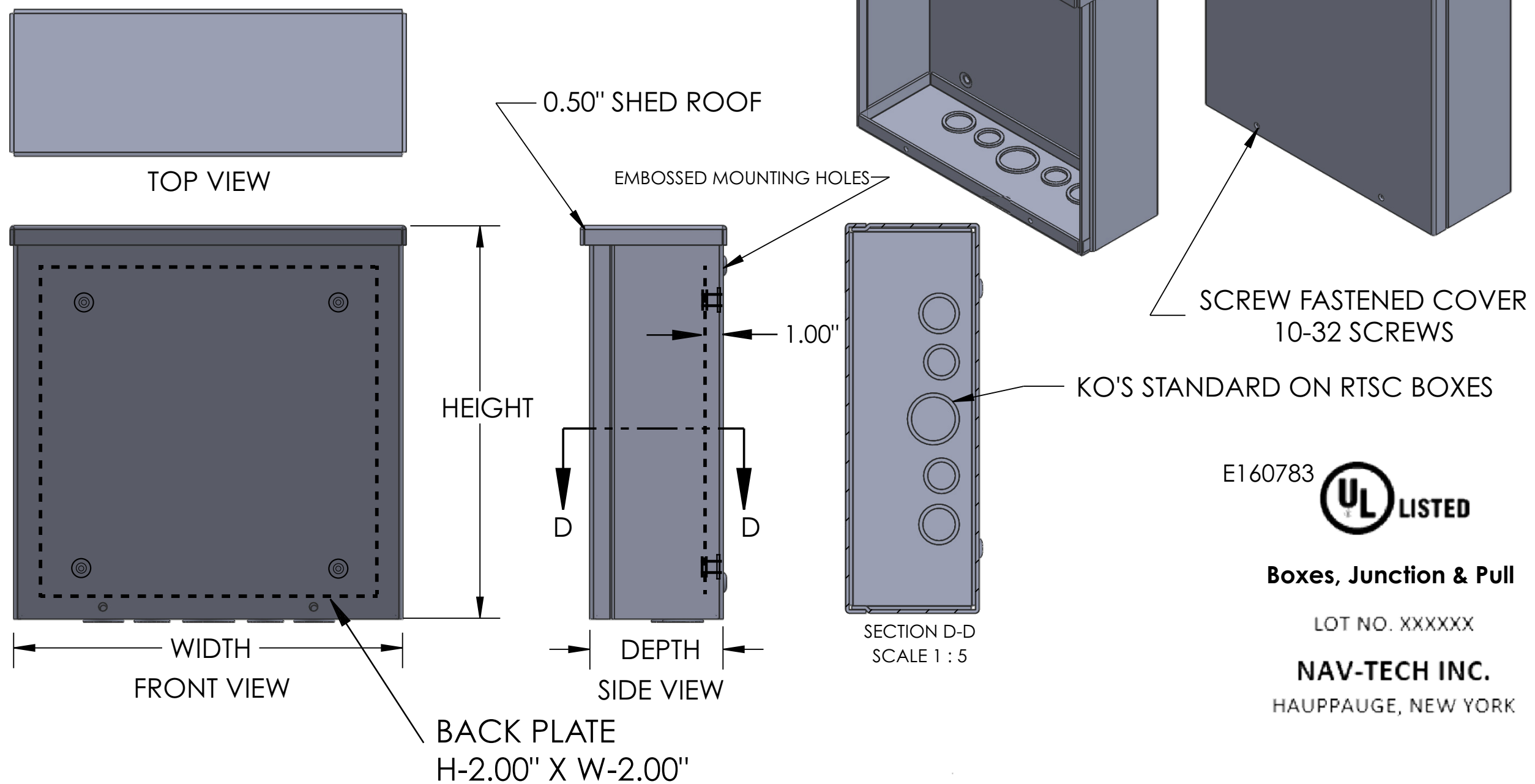
- NEMA Type 3R
- UL 50 Type 3R
- CUL Type 3R (equivalent to CSA)



Screw Cover Boxes Type 3R Raintight Outdoor With Back Plate

NOTES:

1. BOX AND COVER CONSTRUCTION- GALV SHEET STEEL.
2. FINISH: POWDER COAT GRAY ENAMEL.
3. STANDARD 0.75" LIP ON BOTTOM EDGE OF OPENING.
4. RAIN TIGHT SHED ROOF CONSTRUCTION INCLUDES STITCH WELD EDGES EMBOSSED MOUNTING POINTS ON ALL FOUR CORNERS, SLIDE ON SCREW COVERS.
5. KO'S COME STANDARD ON BOTTOM OF RAIN TIGHT SCREW COVER BOXES.



Features

- Enclosure and cover are manufactured from 16, 14, or 12 gauge G90 galvanized steel in accordance with UL Standards.
- The cover is designed to fit under the shed roof, held in place with plated steel screws.
- Available with or without paint—for no paint refer to suffix -NP in the catalog number. Unpainted enclosures are made to order.
- Boxes are available with or without concentric knockouts on the bottom—for no knockouts refer to suffix -NK in the catalog number. NK boxes are made to order.
- Mounting holes are embossed on the rear of each enclosure.
- ANSI 61 gray polyester powder coating wrinkle.
- Available Accessories: Replacement cover, touch-up paint, barrel lock, replacement screws, backplates, ground screws.

Application

- Designed for use as a junction box or pull box.
- For outdoor use to provide protection against rain, sleet or snow, or indoors where dripping water is a problem.

- NEMA Type 3R
- UL 50 Type 3R
- CUL Type 3R (equivalent to CSA)



Screw Cover Boxes Type 3R Raintight Outdoor With Back Plate

*Stainless steel or aluminum available upon request

*Additional sizes available upon request

*Use suffix-BP for enclosures with back plate

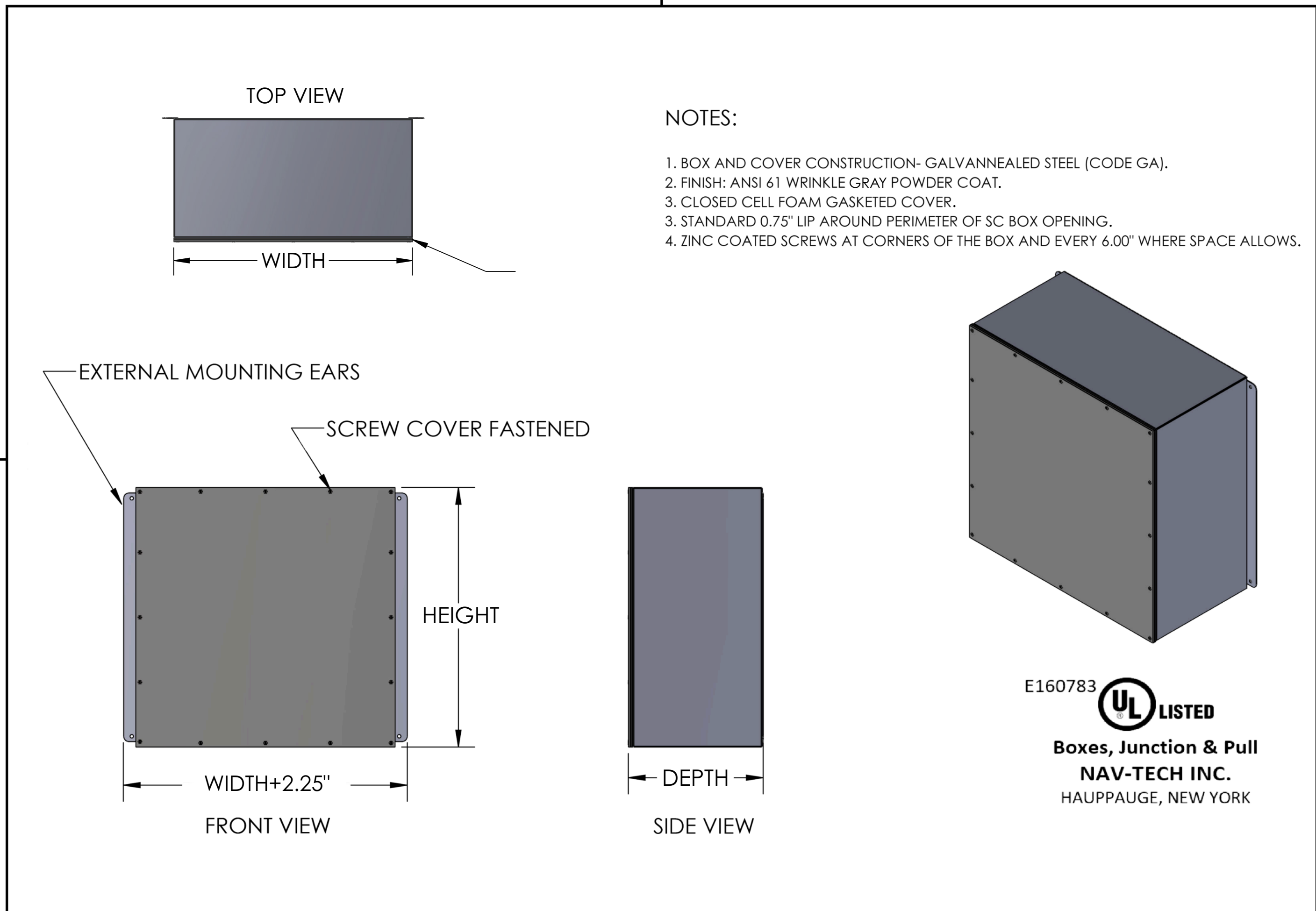
Catalog Number	Dimensions H x W x D (Inches)	UPC Codes
RTSC664	6x6x4	616983210383
RTSC666	6X6X6	616983210390
RTSC884	8x8x4	616983210406
RTSC886	8x8x6	616983210413
RTSC10104	10x10x4	616983210321
RTSC10106	10x10x6	616983210338
RTSC12124	12x12x4	616983210345
RTSC12126	12x12x6	616983210352
RTSC18186	18x18x6	616983210369
RTSC24246	24x24x6	616983210376



- NEMA Type 3R
- UL 50 Type 3R
- CUL Type 3R (equivalent to CSA)



Weatherproof Screw Cover Boxes Types 3/4/12/13 Outdoor



Features

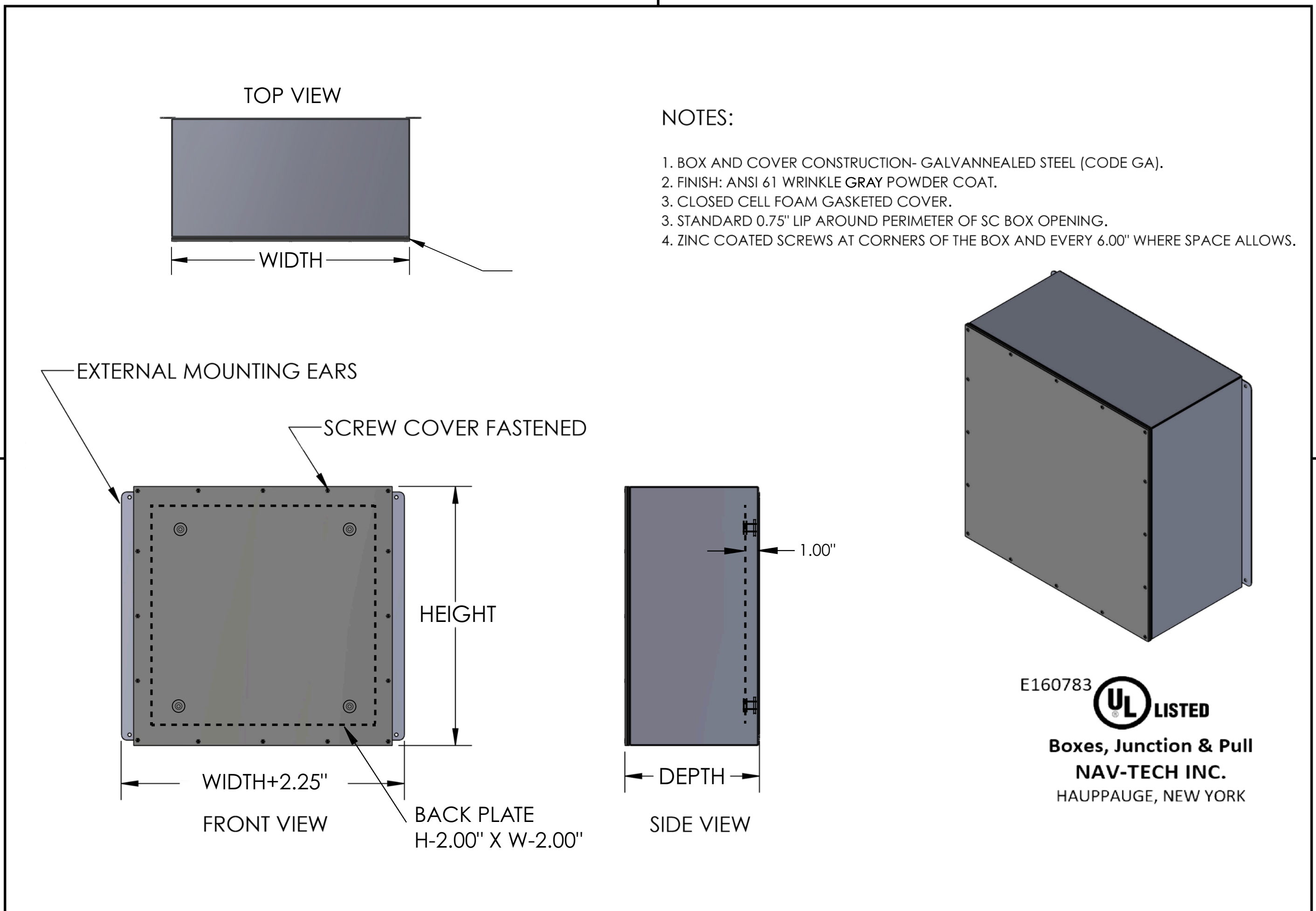
- Enclosure and cover are manufactured from 16, 14, or 12 gauge G90 galvanized steel in accordance with UL Standards.
- All WPSC boxes come without knockouts and are continuously welded and ground smooth.
- Available with or without paint and in stainless steel.
- Covers are neoprene gasketed and fastened with plated screws.
- External mounting ears are standard.
- ANSI 61 wrinkle gray polyester powder coat standard finish.
- Available Accessories: Flush cover, replacement cover, extra screws, ground screws, back plates.

Application

- Designed for use as a junction box or pull box.
- For indoor or outdoor use to provide protection against dust, moisture, splashing and hose directed water.

- NEMA Types 3/4/12/13
- UL 50 Types 3/4/12/13
- CUL Types 3/4/12/13





Features

- Enclosure and cover are manufactured from 16, 14, or 12 gauge G90 galvanized steel in accordance with UL Standards.
- All WPSC boxes come without knockouts and are continuously welded and ground smooth.
- Available with or without paint and in stainless steel.
- Covers are neoprene gasketed and fastened with plated screws.
- External mounting ears are standard.
- ANSI 61 wrinkle gray polyester powder coat standard finish.
- Available Accessories: Flush cover, replacement cover, extra screws, ground screws, back plates.

Application

- Designed for use as a junction box or pull box.
- For indoor or outdoor use to provide protection against dust, moisture, splashing and hose directed water.

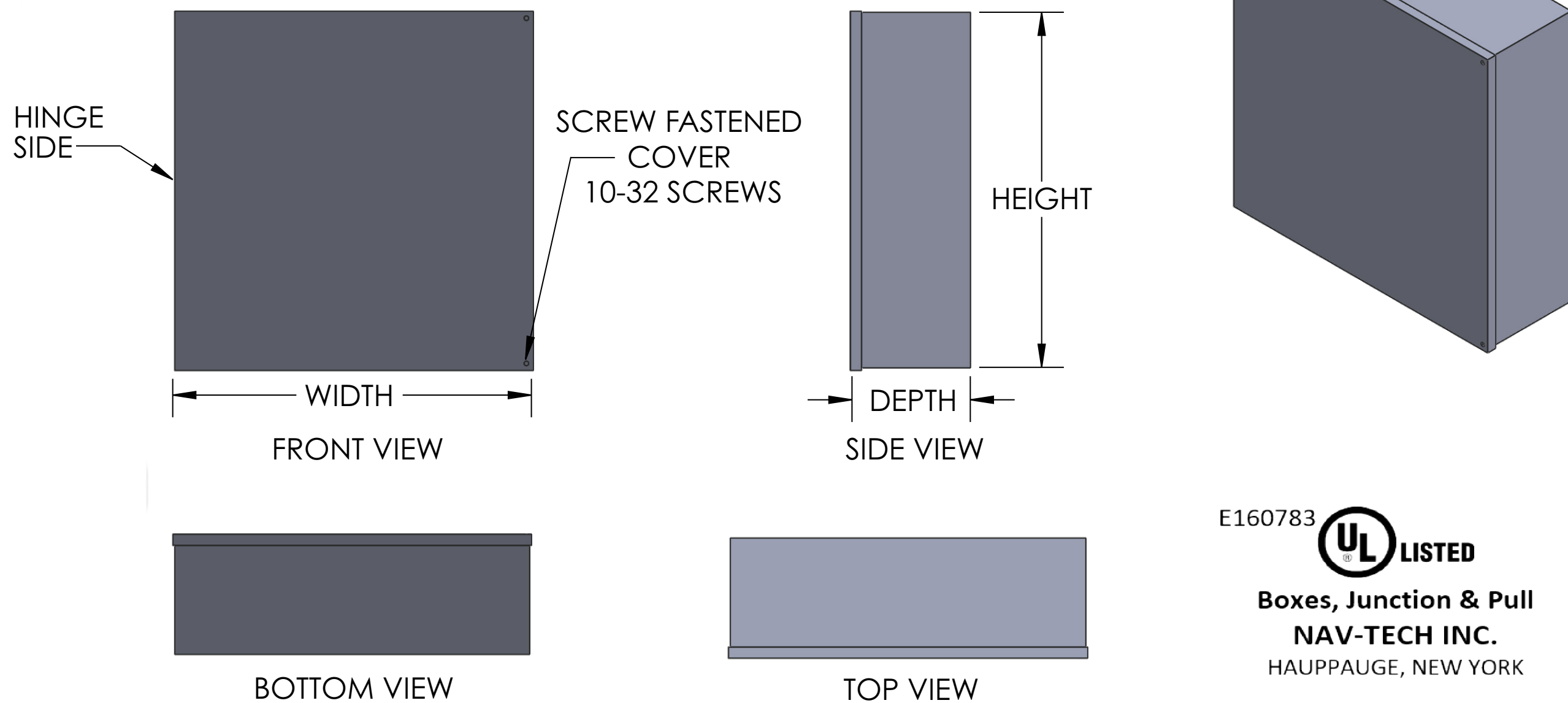
- NEMA Types 3/4/12/13
- UL 50 Types 3/4/12/13
- CUL Types 3/4/12/13



Hinge Screw Cover Box Type 1 Indoor

NOTES:

1. BOX AND COVER CONSTRUCTION - GALV SHEET STEEL.
2. FINISH: POWDER COAT GRAY ENAMEL.
3. STANDARD 0.75" LIP AROUND PERIMETER OF BOX OPENING.
4. STITCH WELD CONSTRUCTION WITH HINGED FLANGED SCREW COVER.



Features

- Enclosure and cover are produced with 16, 14, or 12 gauge steel in accordance with UL standards.
- Flanged steel door provided with a continuous steel piano hinge.
- Hinge cover boxes are fastened by default with screws. A flush coin-turn latch or keyed locks available by request.
- Available with or without knockouts. For no knockouts, refer to suffix -NK in catalog number.
- Available with or without paint. For no paint, refer to suffix -NP in catalog number. Unpainted enclosures are made to order.
- Grounding embossment standard in rear of box. Grounding screws sold separately.
- Holes are incorporated into the back of the enclosure for mounting.
- ANSI 61 wrinkle gray polyester powder coating.
- Available Accessories: Flush coin-turn latch, keyed turn latch, ground screws, replacement cover screws.

Application

- Designed for use as a junction box or pull box.
- For indoor use to provide protection against contact with enclosed equipment where moisture and dust are not a problem.

- NEMA Type 1
- UL 50 Type 1
- CUL Type 1 (equivalent to CSA)



Hinge Screw Cover Box Type 1 Indoor

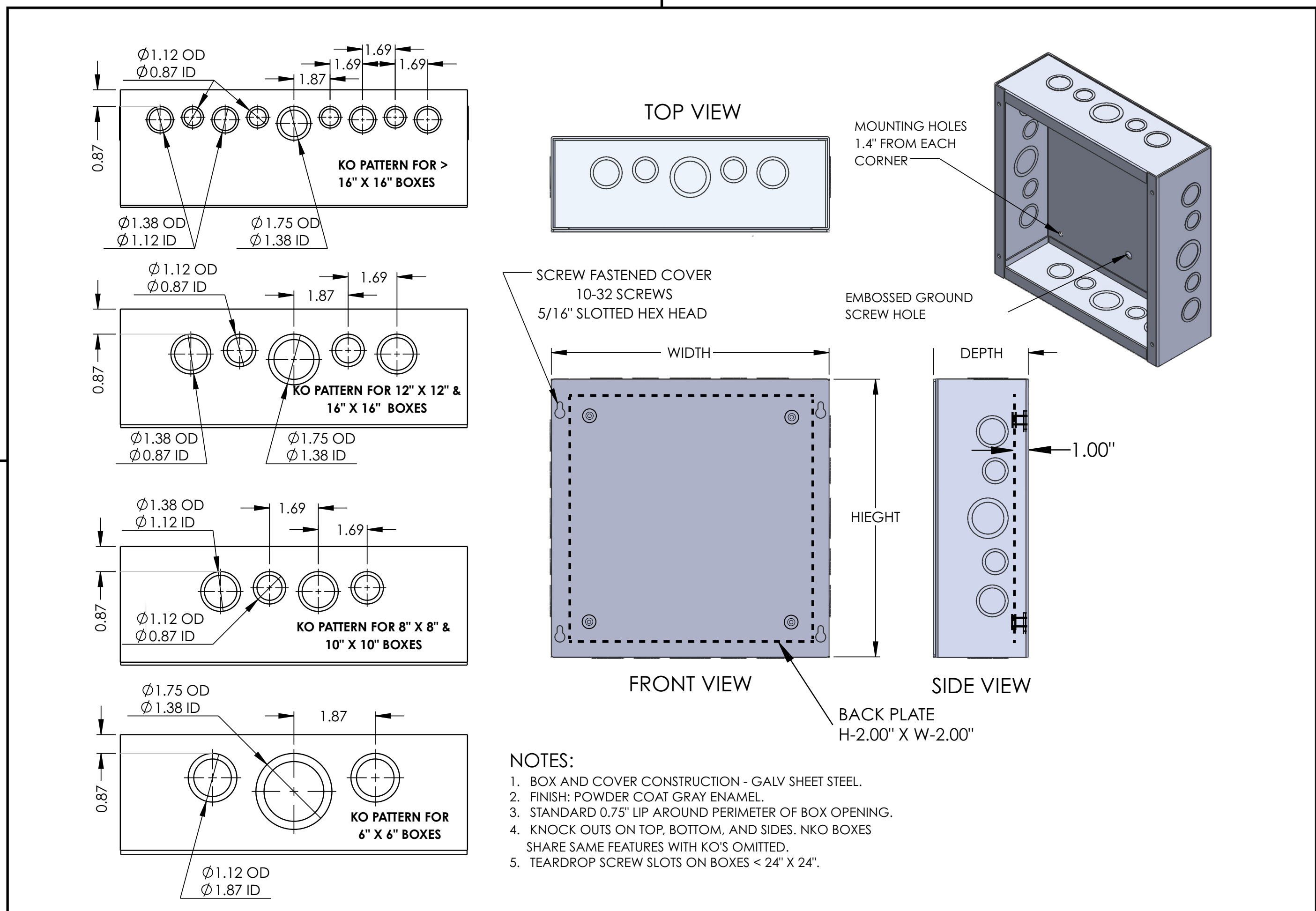
*Stainless steel or aluminum available upon request
*Additional sizes available upon request

Catalog Number	Dimensions H x W x D (Inches)	UPC Codes
RTT441	4x4x12	616983210383
RTT442	4x4x24	616983210390
RTT443	4x4x36	616983210406
RTT444	4x4x48	616983210413
RTT445	4x4x60	616983210321
RTT661	6x6x12	616983210338
RTT662	6x6x24	616983210345
RTT663	6x6x36	616983210352
RTT664	6x6x48	616983210369
RTT665	6x6x60	616983210376

- NEMA Type 1
- UL 50 Type 1
- CUL Type 1 (equivalent to CSA)



Hinge Screw Cover Box Type 1 Indoor With Back Plate



Features

- Enclosure and cover are produced with 16, 14, or 12 gauge steel in accordance with UL standards.
- Flanged steel door provided with a continuous steel piano hinge.
- Hinge cover boxes are fastened by default with screws. A flush coin-turn latch or keyed locks available by request.
- Available with or without knockouts. For no knockouts, refer to suffix -NK in catalog number.
- Available with or without paint. For no paint, refer to suffix -NP in catalog number. Unpainted enclosures are made to order.
- Grounding embossment standard in rear of box. Grounding screws sold separately.
- Holes are incorporated into the back of the enclosure for mounting.
- ANSI 61 wrinkle gray polyester powder coating.
- Available Accessories: Flush coin-turn latch, keyed turn latch, ground screws, replacement cover screws.

Application

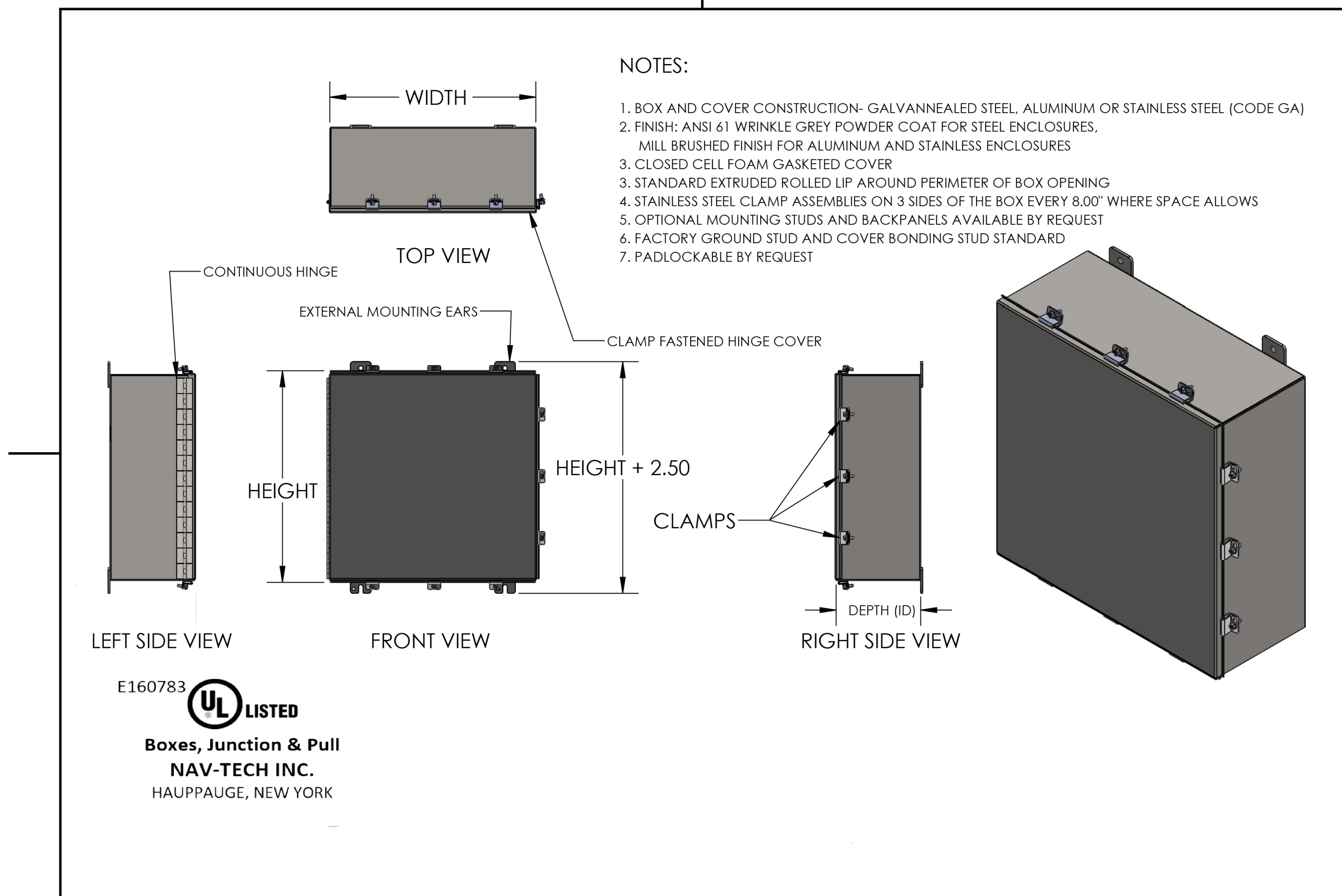
- Designed for use as a junction box or pull box.
- For indoor use to provide protection against contact with enclosed equipment where moisture and dust are not a problem.

- NEMA Type 1
- UL 50 Type 1
- CUL Type 1 (equivalent to CSA)



Weatherproof Hinge Cover Box Type 4X Outdoor JIC Style

18



***Stainless steel or aluminum available upon request**

***Additional sizes available upon request**

***Part number: wphcbx(HHWWDD)-ss(304 or 316); Use height, width, depth for (HHWWDD). Use suffix-BP for enclosures with back plate**

Features

- Enclosure and cover are manufactured from 16, 14, or 12 gauge stainless steel in accordance with UL Standards.
- Stainless steel external screw clamps on three sides.
- Stainless steel continuous hinge.
- All seams continuously welded and ground smooth.
- Rolled lip around three sides of door and all sides of door and all sides of door opening for watertight seal.
- Neoprene gasket attached to door with oil resistant adhesive.
- Clamps on three sides of door for watertight seal.
- Stainless steel external hardware.
- Hasp and staple provided for padlocking.
- External mounting feet.
- Collar studs for mounting optional panel available upon request.
- Mill brushed finish is standard.

Application

- Designed to protect wiring in outdoor installations against rain, sleet, or snow, or indoors against dripping water.
- Degree of protection against corrosion.
- Protection against hose directed water.

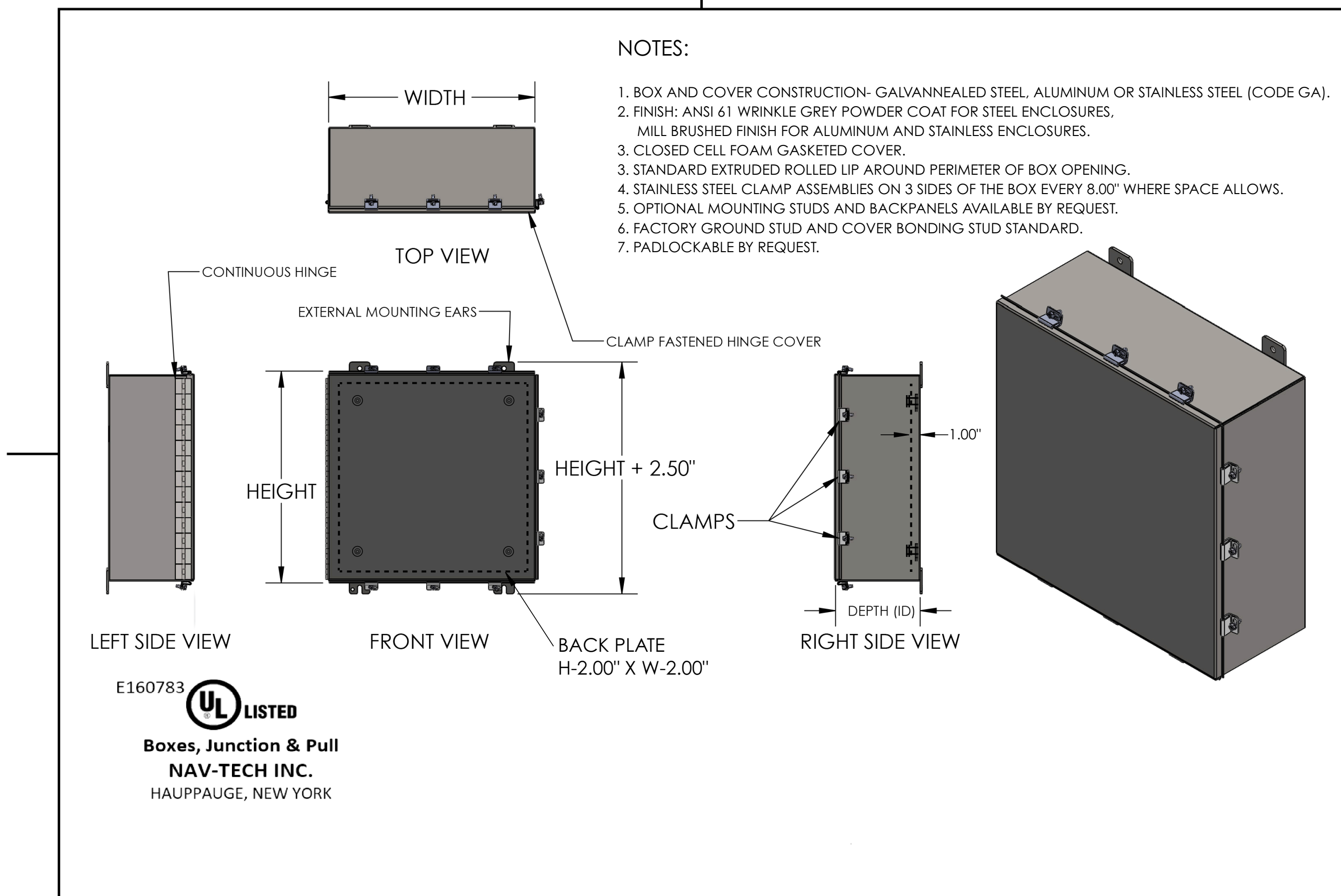
- NEMA Type 4X
- UL 50
- 50E Listed



| 155 Marcus Blvd. Hauppauge, NY 11788 | 718.257.2111 www.NavTechNY.com |

| Rev. 3/4/26: Specifications subject to change without notice |

Weatherproof Hinge Cover Box Type 4X Outdoor JIC Style With Back Plate



***Stainless steel or aluminum available upon request**

***Additional sizes available upon request**

***Part number: wphcbx(HHWWDD)-ss(304 or 316); Use height, width, depth for (HHWWDD). Use suffix-BP for enclosures with back plate**

Features

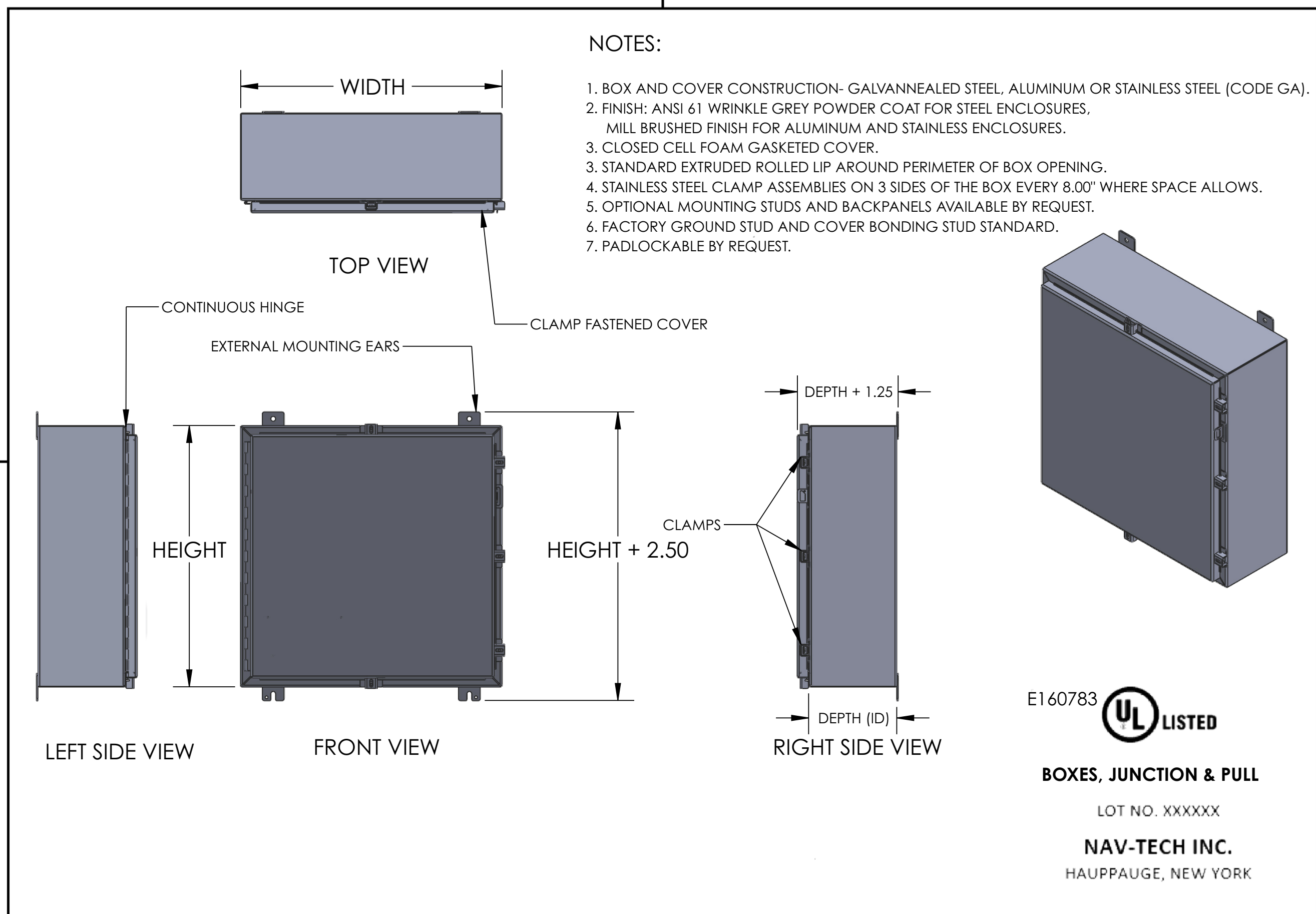
- Enclosure and cover are manufactured from 16, 14, or 12 gauge stainless steel in accordance with UL standards.
- Stainless steel external screw clamps on three sides.
- Stainless steel continuous hinge.
- All seams continuously welded and ground smooth.
- Rolled lip around three sides of door and all sides of door opening for watertight seal.
- Mill brushed finish is standard.
- Neoprene gasket attached to door with oil resistant adhesive.
- Clamps on three sides of door for watertight seal.
- Stainless steel external hardware.
- Hasp and staple provided for padlocking.
- External mounting feet.
- Collar studs for mounting optional panel available upon request.

Application

- Designed to protect wiring in outdoor installations against rain, sleet, or snow, or indoors against dripping water.
- Degree of protection against corrosion.
- Protection against hose directed water.

- NEMA Type 4X
- UL 50
- 50E Listed





***Stainless steel or aluminum available upon request**

***Additional sizes available upon request**

***Part number: wphcbx(HHWWDD)-ss(304 or 316); Use height, width, depth for (HHWWDD). Use suffix-BP for enclosures with back plate**

Features

- Enclosure and cover are manufactured from 16, 14, or 12 gauge stainless steel in accordance with UL standards.
- Stainless steel external screw clamps on three sides.
- Stainless steel continuous hinge.
- All seams continuously welded and ground smooth.
- Rolled lip around three sides of door and all sides of door opening for watertight seal.
- Mill brushed finish is standard.
- Neoprene gasket attached to door with oil resistant adhesive.
- Clamps on three sides of door for watertight seal.
- Stainless steel external hardware.
- Hasp and staple provided for padlocking.
- External mounting feet.
- Collar studs for mounting optional panel available upon request.

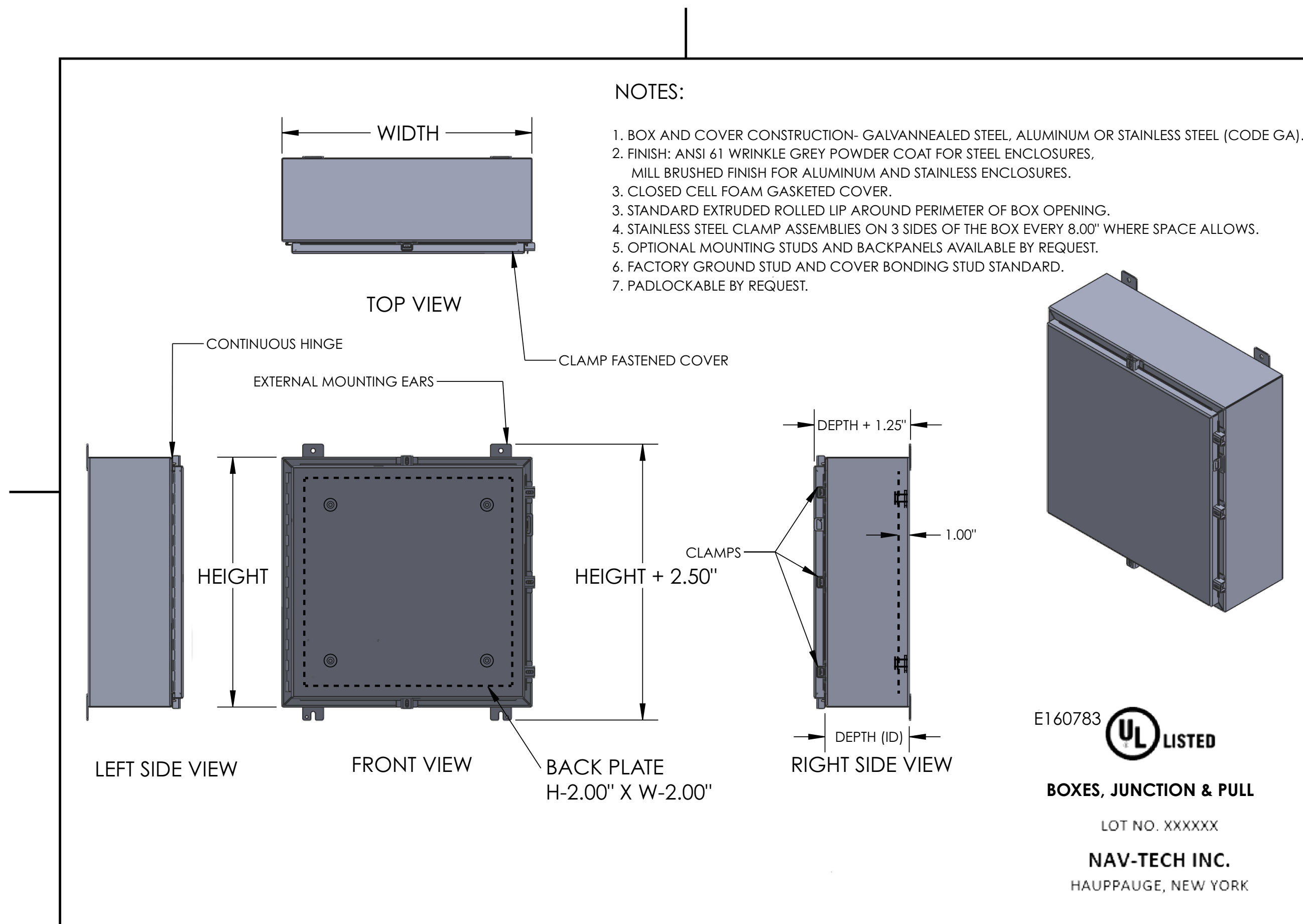
Application

- Designed to protect wiring in outdoor installations against rain, sleet, or snow, or indoors against dripping water.
- Degree of protection against corrosion.
- Protection against hose directed water.

- NEMA Type 4X
- UL 50
- 50E Listed



Weatherproof Hinge Cover Box Type 4X Outdoor DSE Style With Back Plate



***Stainless steel or aluminum available upon request**

***Additional sizes available upon request**

***Part number: wphcbx(HHWWDD)-ss(304 or 316); Use height, width, depth for (HHWWDD). Use suffix-BP for enclosures with back plate**

Features

- Enclosure and cover are manufactured from 16, 14, or 12 gauge stainless steel in accordance with UL standards.
- Stainless steel external screw clamps on three sides.
- Stainless steel continuous hinge.
- All seams continuously welded and ground smooth.
- Rolled lip around three sides of door and all sides of door opening for watertight seal.
- Mill brushed finish is standard.
- Neoprene gasket attached to door with oil resistant adhesive.
- Clamps on three sides of door for watertight seal.
- Stainless steel external hardware.
- Hasp and staple provided for padlocking.
- External mounting feet.
- Collar studs for mounting optional panel available upon request.

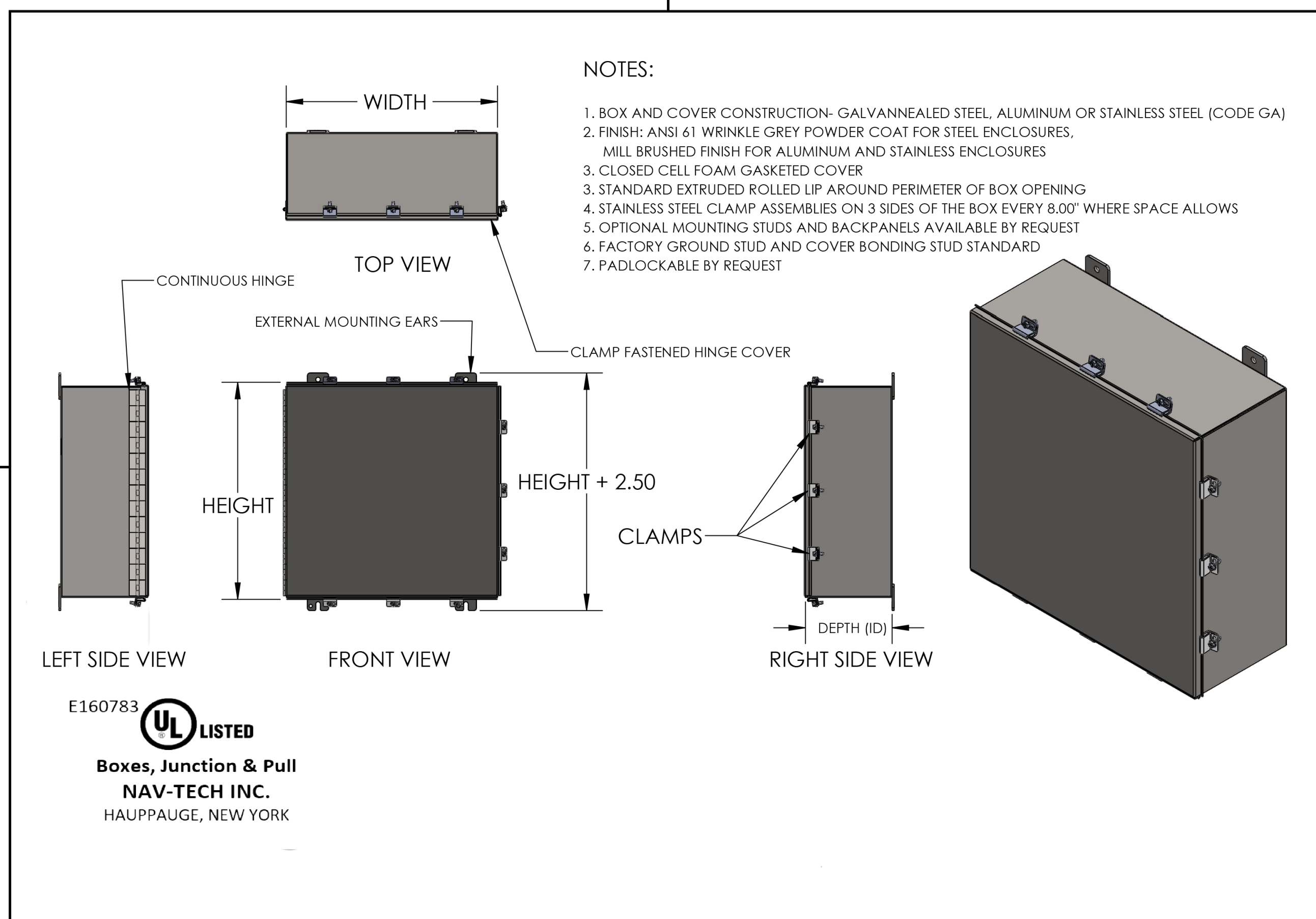
Application

- Designed to protect wiring in outdoor installations against rain, sleet, or snow, or indoors against dripping water.
- Degree of protection against corrosion.
- Protection against hose directed water.

- NEMA Type 4X
- UL 50
- 50E Listed



Submersible Hinge Cover Box Type 6/6P JIC Style



***Stainless steel or aluminum available upon request**

***Additional sizes available upon request**

***Part number: UWHCBX(HHWWDD)-ss(304 or 316); Use height, width, depth for (HHWWDD). Use suffix-BP for enclosures with back plate**

Features

- Enclosure and cover are manufactured from 16, 14, or 12 gauge stainless steel in accordance with UL Standards.
- Stainless steel external screw clamps on three sides.
- Stainless steel continuous hinge.
- All seams continuously welded and ground smooth.
- Rolled lip around three sides of door and all sides of door opening for watertight seal.
- Clamps on three sides of door for watertight seal.
- Neoprene gasket attached to door with oil resistant adhesive.
- Stainless steel external hardware.
- Hasp and staple provided for padlocking.
- External mounting feet.
- Collar studs for mounting optional panel available upon request.
- Mill brushed finish is standard.

Application

- Designed for power & utility, infrastructure and renewal energy companies requiring ultimate protection against extreme environmental conditions.
- Corrosion resistant Stainless Steel Type 316 and a single piece Neoprene Gasket to provide watertight protection of vital electrical equipment.
- Navtech's standard submersible range of enclosures and accessories delivers a reliable system to meet all industry environmental challenges.

- NEMA Type 6/6P
- UL 50
- 50E Listed

