

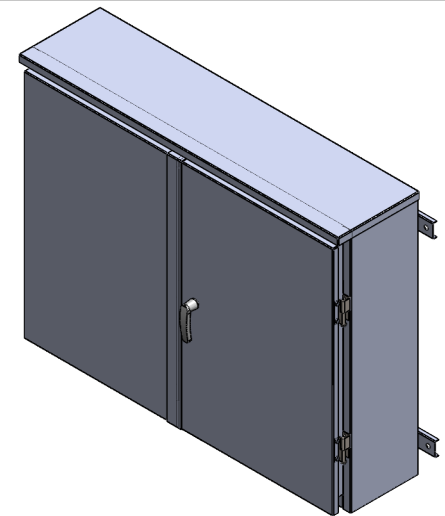
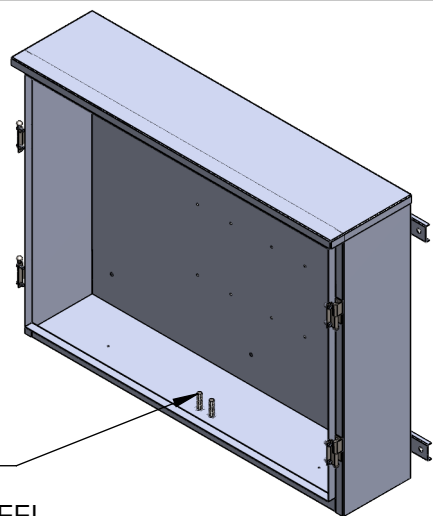
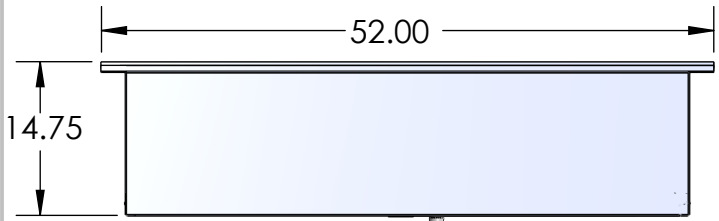
2

1

NOTES:

- 1. CABINET SHALL BE RATED TYPE 3R WITH SHED ROOF
- 2. CONSTRUCTED OF 14 GA GALV STEEL WITH SS HINGES
- 3. NO FACTORY KNOCKOUTS
- 4. FRENCH GASKETED HORIZONTAL DOORS
- 5. EQUIPPED WITH 3 PT CATCH NON KEYPAD PADLOCKABLE HANDLE
- 6. ANSI 61 GRAY POWDER COAT FINISH

B

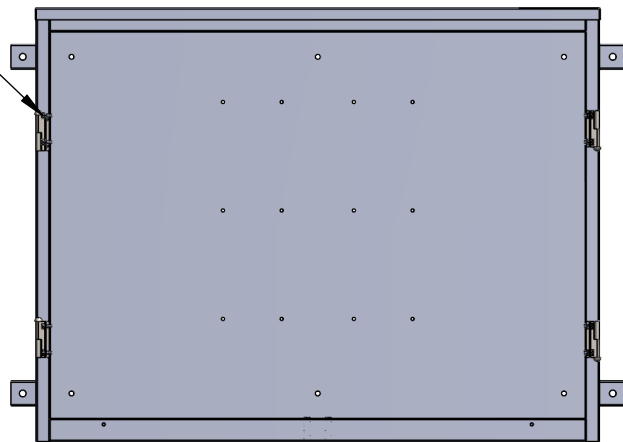
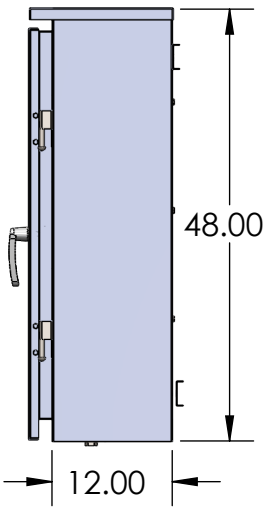
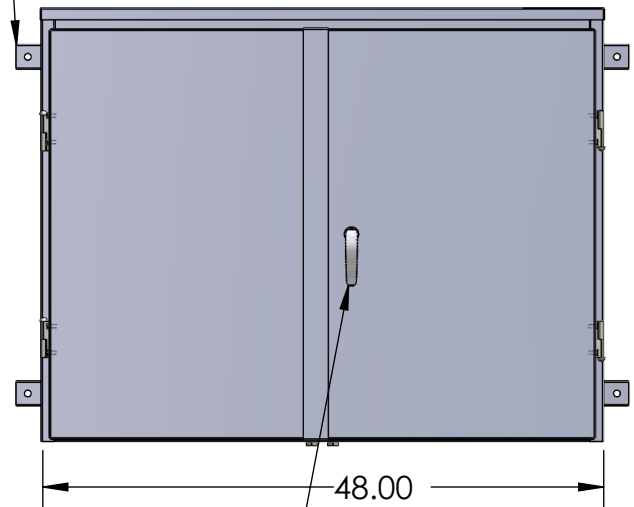


B

LUG MOUNTING GROUND STUD

STAINLESS STEEL NON LIFT HINGES

EXTERNAL STRUT MOUNTS



A

PADLOCKABLE 3 PT HANDLE

E204067

UL LISTED

METERING TRANSFORMER CABINET
LOT NO. XXXXXXX

NAV-TECH INC.
HAUAPPAUGE, NEW YORK

E167302

UL LISTED

CABINETS AND CUT OUT BOXES
LOT NO. XXXXXXX

NAV-TECH INC.
HAUAPPAUGE, NEW YORK

	NAME	DATE
DRAWN BY	J. Pincus	10/31/2025
APPROVED BY		

PROPRIETARY AND CONFIDENTIAL
THE INFORMATION CONTAINED IN THIS DRAWING IS THE SOLE PROPERTY OF Nav-Tech Inc. ANY REPRODUCTION IN PART OR AS A WHOLE WITHOUT THE WRITTEN PERMISSION OF Nav-Tech Inc. IS PROHIBITED.

NAV-TECH
INCORPORATED

155 MARCUS BLVD
HAUAPPAUGE, NEW YORK 11788
PH: (718) 257-2111 FAX: (718) 257-2626

UNLESS OTHERWISE SPECIFIED:
ALL DIMENSIONS ARE NOMINAL UNLESS EXPLICITLY SPECIFIED OTHERWISE

MATL: 14 GA GALV STEEL
FINISH: ANSI 61 POWDER COAT
WEIGHT:
UNLESS OTHERWISE SPECIFIED
1. REMOVE ALL BURRS AND BREAK ALL SHARP EDGES .015 X 45° OR .015R
2. DIMENSIONAL LIMITS APPLY AFTER PLATING
3. 125 MACHINED SURFACES EXCEPT AS NOTED

DRAWING TITLE: UNFURNISHED CT CABINET

PART #: NAV-PPL-CTR-12

DESCRIPTION:
FRENCH DOOR NEMA 3R UNFURNISHED CT CABINET WITH PADLOCKABLE HANDLES AND NON LIFTING HINGES. RATED FOR 1200A 250VAC MAX 100K SYM AMPS SCCR

DO NOT SCALE DRAWING	SCALE: 1:12	SIZE A	SHEET 1 OF 1	REV. 1
-----------------------------	-------------	--------	--------------	--------

A

2

1