

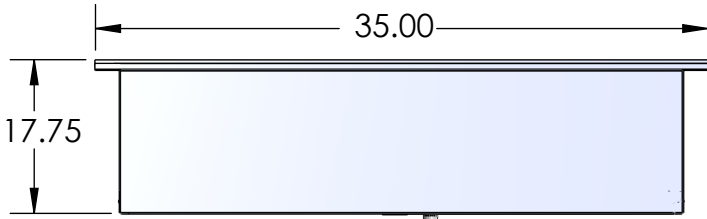
2

1

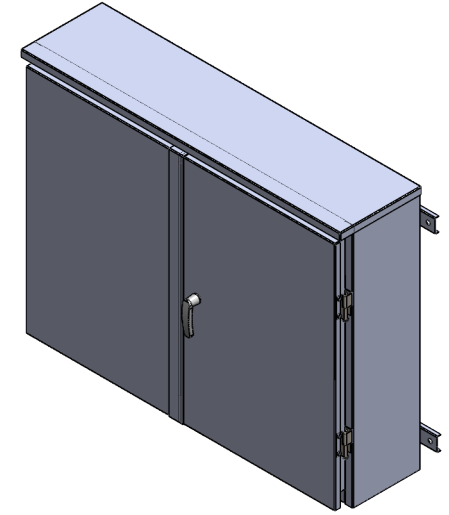
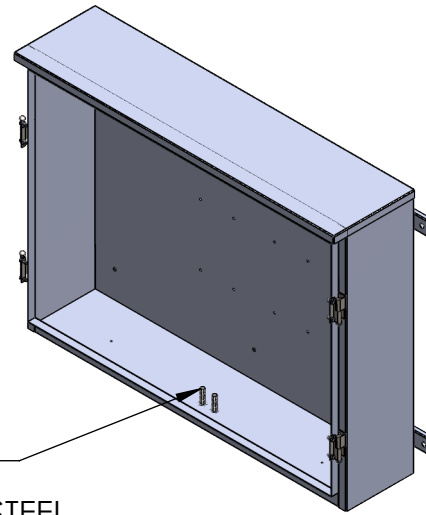
NOTES:

- 1. CABINET SHALL BE RATED TYPE 3R WITH SHED ROOF
- 2. CONSTRUCTED OF 14 GA GALV STEEL WITH SS HINGES
- 3. NO FACTORY KNOCKOUTS
- 4. FRENCH GASKETED HORIZONTAL DOORS
- 5. EQUIPPED WITH 3 PT CATCH NON KEYED PADLOCKABLE HANDLE

B



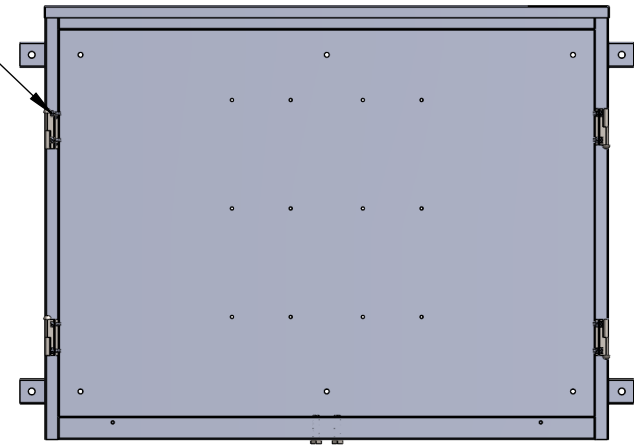
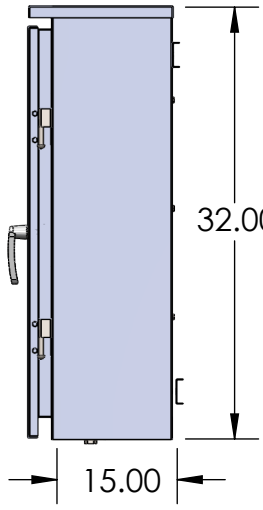
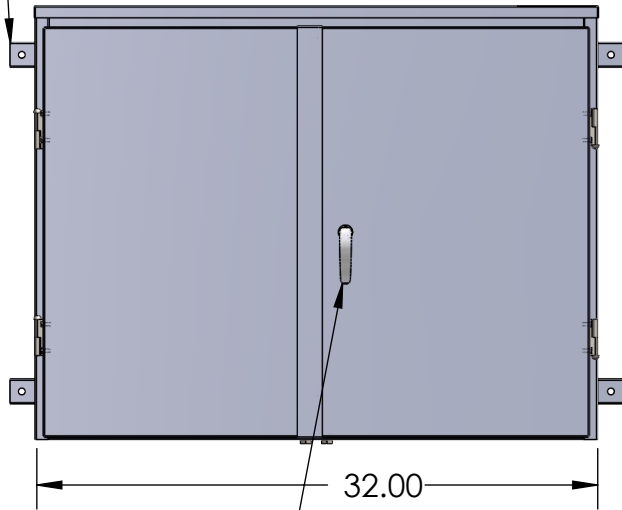
LUG MOUNTING GROUND STUD



B

EXTERNAL STRUT MOUNTS

STAINLESS STEEL LIFT OFF HINGES



A

PADLOCKABLE 3 PT HANDLE

	NAME	DATE
DRAWN BY	N. Pincus	11/7/2025
APPROVED BY		

PROPRIETARY AND CONFIDENTIAL
 THE INFORMATION CONTAINED IN THIS DRAWING IS THE SOLE PROPERTY OF Nav-Tech Inc. ANY REPRODUCTION IN PART OR AS A WHOLE WITHOUT THE WRITTEN PERMISSION OF Nav-Tech Inc. IS PROHIBITED.



155 MARCUS BLVD
 HAUPPAUGE, NEW YORK 11788
 PH: (718) 257-2111 FAX: (718) 257-2626

UNLESS OTHERWISE SPECIFIED:
 ALL DIMENSIONS ARE NOMINAL UNLESS EXPLICITLY SPECIFIED OTHERWISE

MATL: 14 GA GALV STEEL
 FINISH: ANSI 61 POWDER COAT
 WEIGHT:

UNLESS OTHERWISE SPECIFIED

- 1. REMOVE ALL BURRS AND BREAK ALL SHARP EDGES .015 X 45° OR .015R
- 2. DIMENSIONAL LIMITS APPLY AFTER PLATING
- 3. $\frac{125}{\sqrt{\quad}}$ MACHINED SURFACES EXCEPT AS NOTED

DRAWING TITLE: UNFURNISHED CT CABINET

PART #: NAV-PECO-CTR-323215

DESCRIPTION:
 FRENCH DOOR NEMA 3R UNFURNISHED CT CABINET WITH PADLOCKABLE HANDLE AND LIFT OFF HINGES

Installation Voltage (Volts AC)	Max # of Conductors per Phase	Conductor Service Size (KCM)	Installation Type
250 MAX	3	500	3 Phase 4 Wire Delta
	4	400	3 Phase 4 Wire WYE

DO NOT SCALE DRAWING

SCALE: 1:12 SIZE A SHEET 1 OF 1 REV. 0

2

1

A