

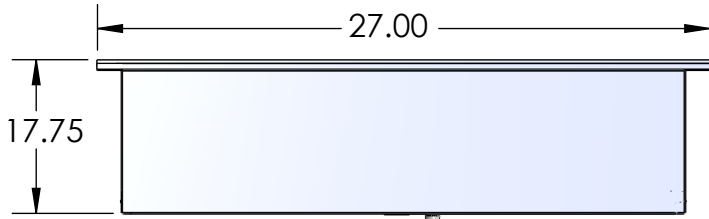
2

1

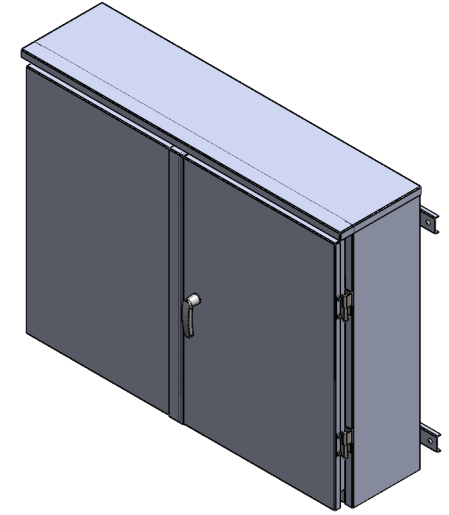
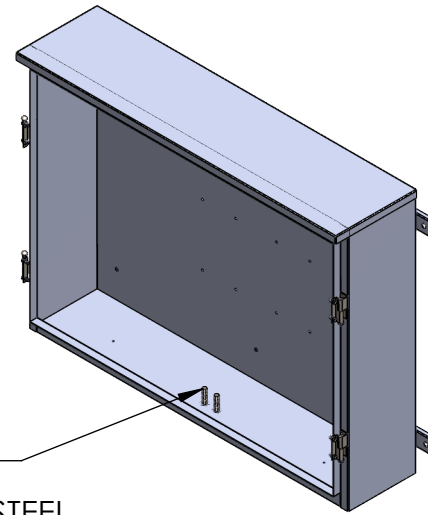
NOTES:

- 1. CABINET SHALL BE RATED TYPE 3R WITH SHED ROOF
- 2. CONSTRUCTED OF 14 GA GALV STEEL WITH SS HINGES
- 3. NO FACTORY KNOCKOUTS
- 4. FRENCH GASKETED HORIZONTAL DOORS
- 5. EQUIPPED WITH 3 PT CATCH NON KEYED PADLOCKABLE HANDLE

B



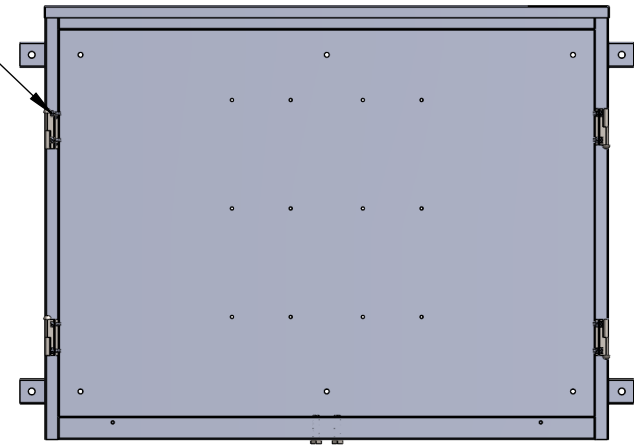
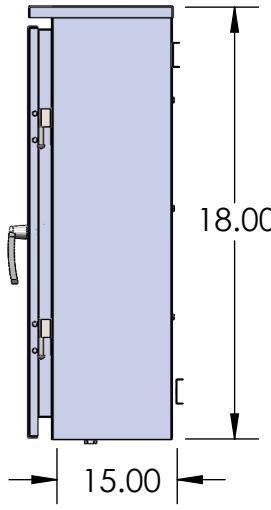
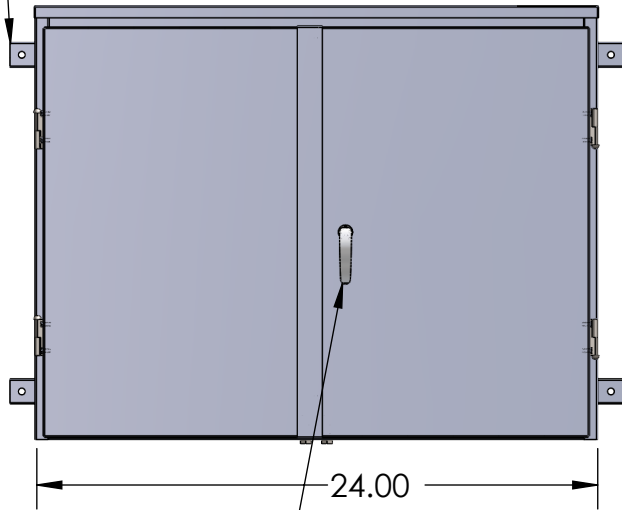
LUG MOUNTING GROUND STUD



B

EXTERNAL STRUT MOUNTS

STAINLESS STEEL LIFT OFF HINGES



A

PADLOCKABLE 3 PT HANDLE

A

	NAME	DATE
DRAWN BY	N. Pincus	11/7/2025
APPROVED BY		

**PROPRIETARY AND CONFIDENTIAL**  
 THE INFORMATION CONTAINED IN THIS DRAWING IS THE SOLE PROPERTY OF Nav-Tech Inc. ANY REPRODUCTION IN PART OR AS A WHOLE WITHOUT THE WRITTEN PERMISSION OF Nav-Tech Inc. IS PROHIBITED.



155 MARCUS BLVD  
 HAUPPAUGE, NEW YORK 11788  
 PH: (718) 257-2111 FAX: (718) 257-2626

**UNLESS OTHERWISE SPECIFIED:**  
 ALL DIMENSIONS ARE NOMINAL UNLESS EXPLICITLY SPECIFIED OTHERWISE

**MATL:** 14 GA GALV STEEL  
**FINISH:** ANSI 61 POWDER COAT  
**WEIGHT:**

UNLESS OTHERWISE SPECIFIED

- 1. REMOVE ALL BURRS AND BREAK ALL SHARP EDGES .015 X 45° OR .015R
- 2. DIMENSIONAL LIMITS APPLY AFTER PLATING
- 3.  $\frac{125}{\sqrt{\quad}}$  MACHINED SURFACES EXCEPT AS NOTED

**DRAWING TITLE:** UNFURNISHED CT CABINET

**PART #:** NAV-PECO-CTR-241815

**DESCRIPTION:**  
 FRENCH DOOR NEMA 3R UNFURNISHED CT CABINET WITH PADLOCKABLE HANDLE AND LIFT OFF HINGES; 250V MAX, 350KCM, 1 PHASE 3 WIRE

<b>DO NOT SCALE DRAWING</b>	SCALE: 1:12	SIZE	A	SHEET	1 OF 1	REV.	0
-----------------------------	-------------	------	---	-------	--------	------	---

2

1