

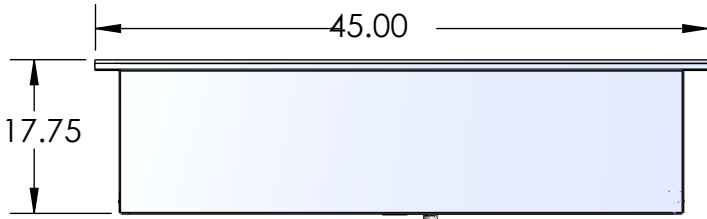
2

1

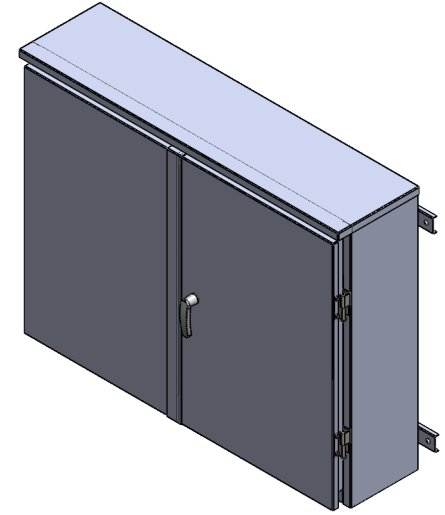
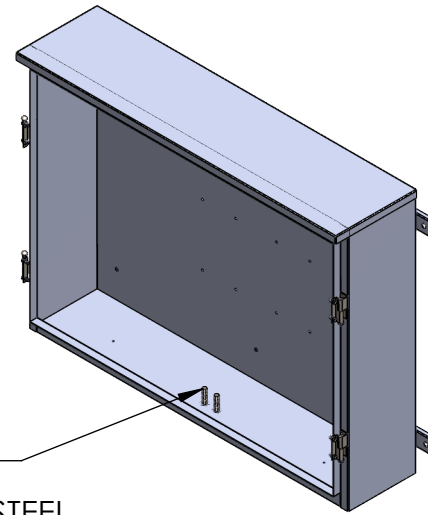
NOTES:

- 1. CABINET SHALL BE RATED TYPE 1 WITH SHED ROOF
- 2. CONSTRUCTED OF 14 GA GALV STEEL WITH SS HINGES
- 3. NO FACTORY KNOCKOUTS
- 4. FRENCH GASKETED HORIZONTAL DOORS
- 5. EQUIPPED WITH 3 PT CATCH NON KEYED PADLOCKABLE HANDLE

B



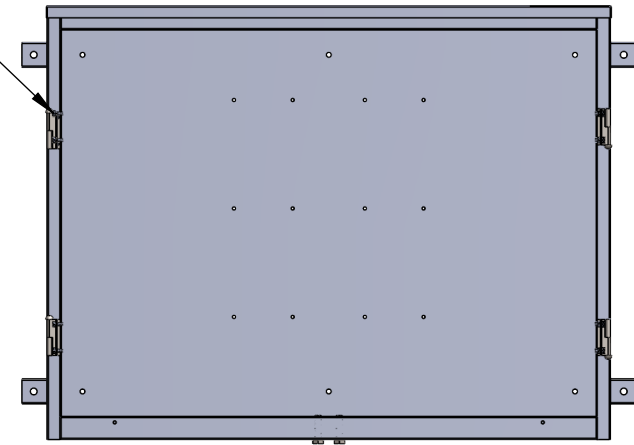
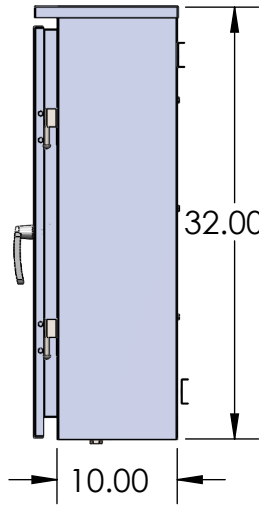
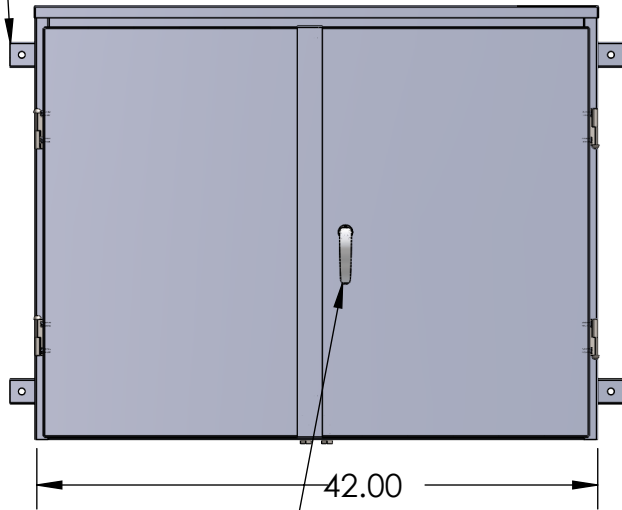
LUG MOUNTING GROUND STUD



B

EXTERNAL STRUT MOUNTS

STAINLESS STEEL LIFT OFF HINGES



A

PADLOCKABLE 3 PT HANDLE

| | NAME | DATE |
|-------------|-----------|-----------|
| DRAWN BY | N. Pincus | 11/7/2025 |
| APPROVED BY | | |

PROPRIETARY AND CONFIDENTIAL
 THE INFORMATION CONTAINED IN THIS DRAWING IS THE SOLE PROPERTY OF Nav-Tech Inc. ANY REPRODUCTION IN PART OR AS A WHOLE WITHOUT THE WRITTEN PERMISSION OF Nav-Tech Inc. IS PROHIBITED.



155 MARCUS BLVD
 HAUPPAUGE, NEW YORK 11788
 PH: (718) 257-2111 FAX: (718) 257-2626

UNLESS OTHERWISE SPECIFIED:
 ALL DIMENSIONS ARE NOMINAL UNLESS EXPLICITLY SPECIFIED OTHERWISE

MATL: 14 GA GALV STEEL
FINISH: ANSI 61 POWDER COAT
WEIGHT:

UNLESS OTHERWISE SPECIFIED

1. REMOVE ALL BURRS AND BREAK ALL SHARP EDGES .015 X 45° OR .015R
2. DIMENSIONAL LIMITS APPLY AFTER PLATING
3. $\sqrt{125}$ MACHINED SURFACES EXCEPT AS NOTED

DRAWING TITLE: UNFURNISHED CT CABINET

PART #: NAV-PECO-CT-423210

DESCRIPTION:
 FRENCH DOOR NEMA 1 UNFURNISHED CT CABINET WITH PADLOCKABLE HANDLE AND LIFT OFF HINGES

| Installation Voltage (Volts AC) | Max # of Conductors per Phase | Conductor Service Size (KCM) | Installation Type |
|---------------------------------|-------------------------------|------------------------------|--------------------|
| 250 MAX | 4 | 750 | 3 Phase 4 Wire WYE |
| | 5 | 750 | 2 Phase 5 Wire |

DO NOT SCALE DRAWING

SCALE: 1:12 SIZE A SHEET 1 OF 1 REV. 0

2

1

A