

2

1

NOTES:

- 1. BOX AND COVER NEMA 3R CONSTRUCTION - GALV SHEET STEEL (14GA).
- 2. FINISH: POWDER COAT GRAY ENAMEL.
- 3. 400 AMP - 800 AMP, 600 VAC MAX.
- 4. LUG PROVIDED ON NEUTRAL BAR FOR #12 WIRE.
- 5. EMBOSSED HOLES IN REAR FOR MOUNTING CABINET.
- 6. GALV STEEL BACKPLATE FOR MOUNTING CT.
- 7. HEAVY DUTY STAINLESS STEEL LIFT OFF HINGES.

B

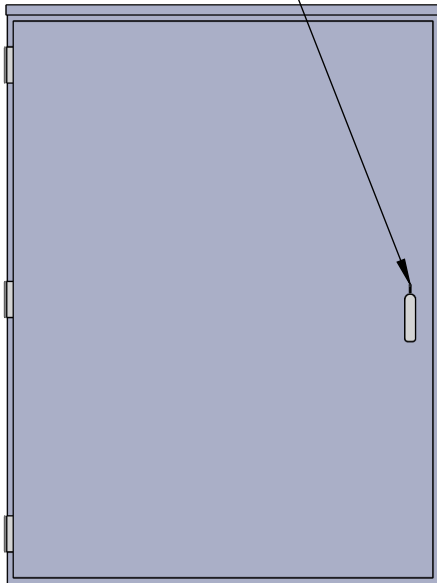
B

TOP VIEW

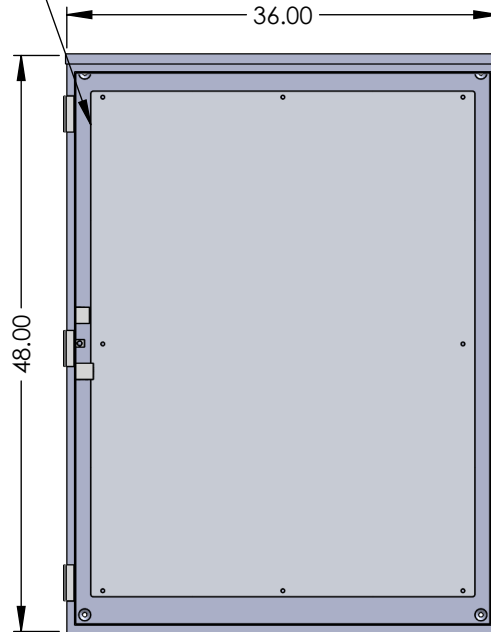


PADLOCKABLE HINGED DOOR

BACKPLATE
42" TALL X 33" WIDE

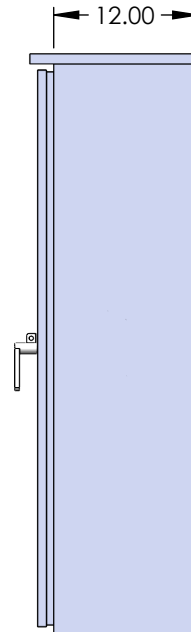


COVERED VIEW

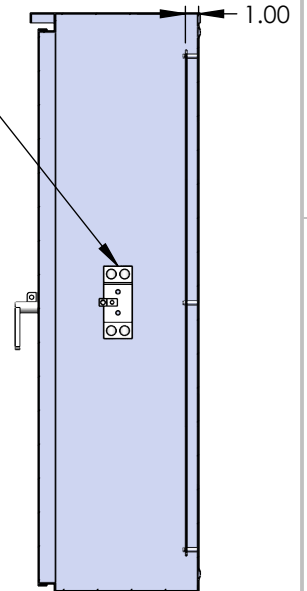
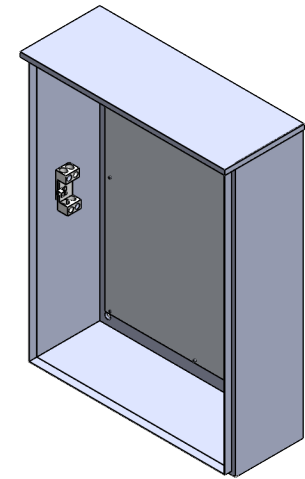


OPENED VIEW

NEUTRAL DETAIL
(2) ND-600-2
(1) N-150



SIDE VIEW



SIDE VIEW SECTIONED

A

A

DRAWN BY N. BOSETTI		DATE 3/18/2025			MAT'L: 14 GAUGE GALV STEEL	DRAWING TITLE: UPSTATE NY 1200 AMP CT CAB	DESCRIPTION: UPSTATE NY NYSEG & RGE NEMA 3R CT CABINET OVER 800 AMP UP TO 1200 AMP, 600 VAC MAX.
REVIEWED BY					FINISH: GRAY POWDER COAT ANSI 61		
PROPRIETARY AND CONFIDENTIAL THE INFORMATION CONTAINED IN THIS DRAWING IS THE SOLE PROPERTY OF NAV-TECH INC. ANY REPRODUCTION IN PART OR AS A WHOLE WITHOUT THE WRITTEN PERMISSION OF NAV-TECH INC. IS PROHIBITED.				155 MARCUS BLVD HAUPPAUGE, NEW YORK 11788 PH: (718) 257-2111 FAX: (718) 257-2626		WEIGHT: ALL DIMENSIONS ARE NOMINAL UNLESS EXPLICITLY STATED OTHERWISE	
						SCALE: 1:10 SIZE A SHEET 1 OF 1 REV. 0	

2

1

DO NOT SCALE DRAWING