

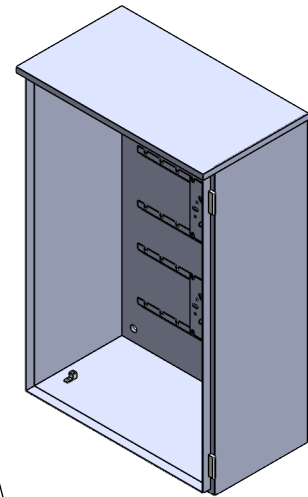
2

1

NOTES:

- 1. BOX AND COVER NEMA 3R CONSTRUCTION - GALV SHEET STEEL (14GA).
- 2. FINISH: POWDER COAT GRAY ENAMEL.
- 3. CABINET WILL HAVE NAME PLATE ON THE OUTSIDE.
- 4. EMBOSSED HOLES IN REAR FOR MOUNTING CABINET.
- 5. GALV STEEL CONFIGURABLE BACKPLATE FOR MOUNTING CT.
- 6. HEAVY DUTY STAINLESS STEEL LIFT OFF HINGES.
- 7. MAX CONDUITS IN & OUT (TOTAL): AS REQUIRED.
- 8. MAX CONDUCTORS: AS REQUIRED.
- 9. AVAILABLE IN ALUMIUM OR STAINLESS STEEL.
- 10. INCLUDES HARDWARE KIT OF:
 - (6) 3/8"-16 X 1" ZINC SQUARE HEAD BOLT
 - (6) 3/8"-16 ZINC FLAT WASHER
 - (6) 3/8"-16 ZINC HEX NUT

TOP VIEW

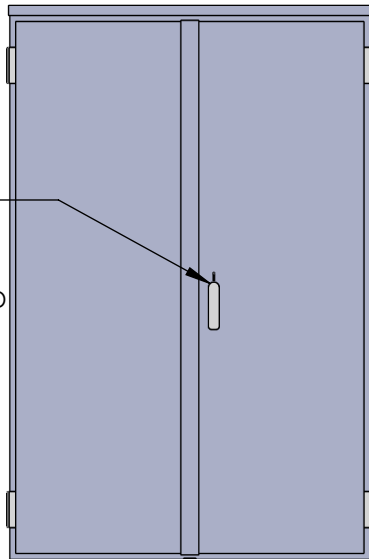


B

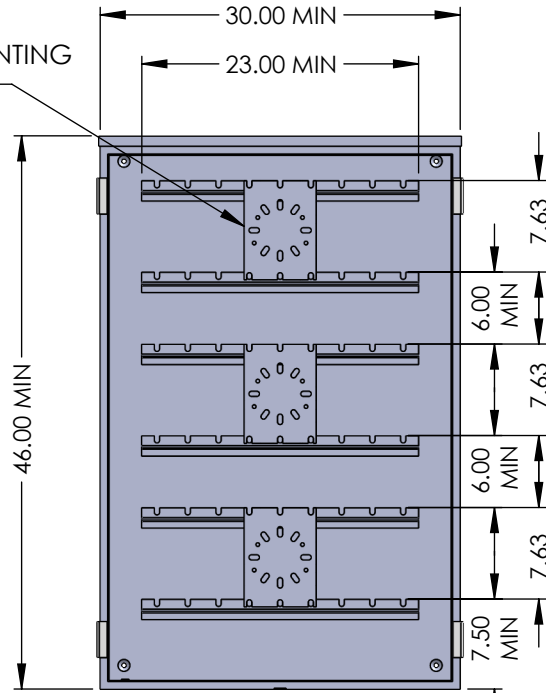
B

CT MOUNTING PLATE

N-150 BONDED GROUNDING LUG

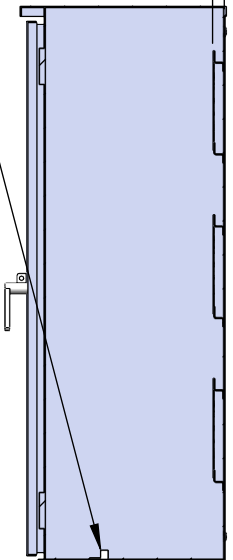
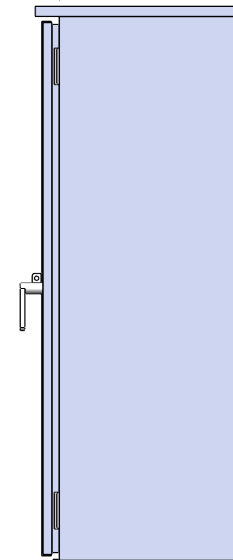


STAINLESS STEEL HANDLE WITH 7/16" HOLE FOR PADLOCK PROVISIONS AND FRENCH DOOR WITH 3 PT CATCH INTERNALLY SHIELDED



16.00 MIN

1.00



A

A

COVERED VIEW

OPENED VIEW

SIDE VIEW

SIDE VIEW SECTIONED

NAME	DATE
N. BOSETTI	5/20/2025
DRAWN BY	
REVIEWED BY	



155 MARCUS BLVD
HAUPPAUGE, NEW YORK 11788
PH: (718) 257-2111 FAX: (718) 257-2626

MAT'L:	14 GAUGE GALV STEEL
FINISH:	GRAY POWDER COAT ANSI 61 2MM THICK
WEIGHT:	

ALL DIMENSIONS ARE NOMINAL UNLESS EXPLICITLY STATED OTHERWISE

DRAWING TITLE:	FLORIDA POWER & LIGHT CT CABINET EXTRA LARGE
PART #:	NAV-FPL-CTR-XL

DO NOT SCALE DRAWING

DESCRIPTION:	FLORIDA POWER & LIGHT NEMA 3R CT CABINET EXTRA LARGE
--------------	--

SCALE:	1:10	SIZE	A	SHEET	1 OF 1	REV.	1
--------	------	------	---	-------	--------	------	---

2

1