

2

1

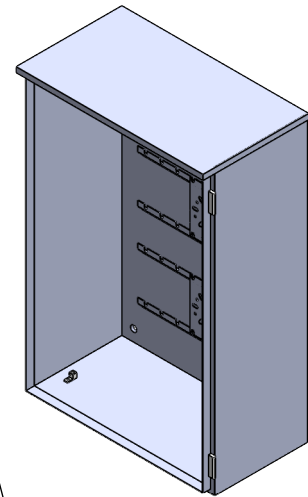
NOTES:

- 1. BOX AND COVER NEMA 3R CONSTRUCTION - GALV SHEET STEEL (14GA).
- 2. FINISH: POWDER COAT GRAY ENAMEL.
- 3. CABINET WILL HAVE NAME PLATE ON THE OUTSIDE.
- 4. EMBOSSED HOLES IN REAR FOR MOUNTING CABINET.
- 5. GALV STEEL CONFIGURABLE BACKPLATE FOR MOUNTING CT.
- 6. HEAVY DUTY STAINLESS STEEL LIFT OFF HINGES.
- 7. MAX CONDUITS IN & OUT (TOTAL): 8 - 4"
- 8. MAX CONDUCTORS: 4 SETS 600MCM PER PHASE.
- 9. AVAILABLE IN ALUMIUM OR STAINLESS STEEL.
- 10. INCLUDES HARDWARE KIT OF:
  - (6) 3/8"-16 X 1" ZINC SQUARE HEAD BOLT
  - (6) 3/8"-16 ZINC FLAT WASHER
  - (6) 3/8"-16 ZINC HEX NUT

B

B

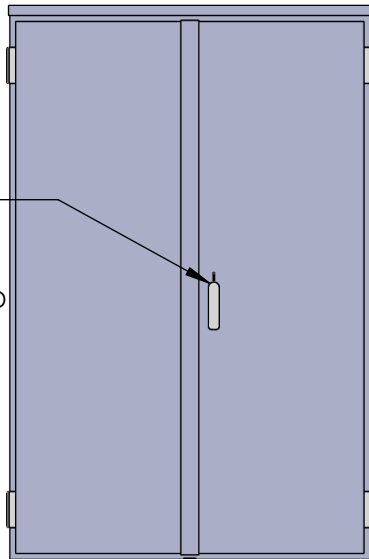
TOP VIEW



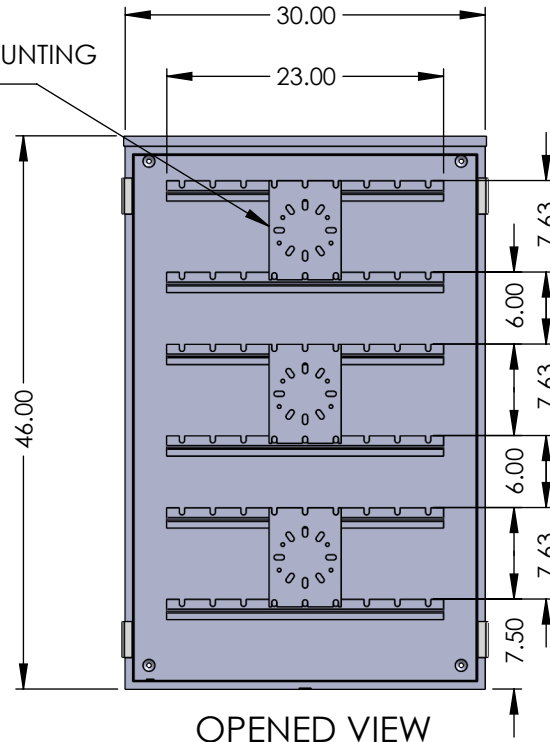
N-150 BONDED GROUNDING LUG

CT MOUNTING PLATE

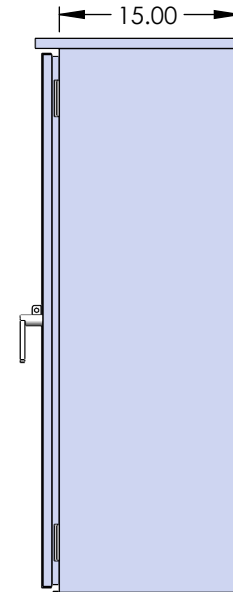
STAINLESS STEEL HANDLE WITH 7/16" HOLE FOR PADLOCK PROVISIONS AND FRENCH DOOR WITH 3 PT CATCH INTERNALLY SHIELDED



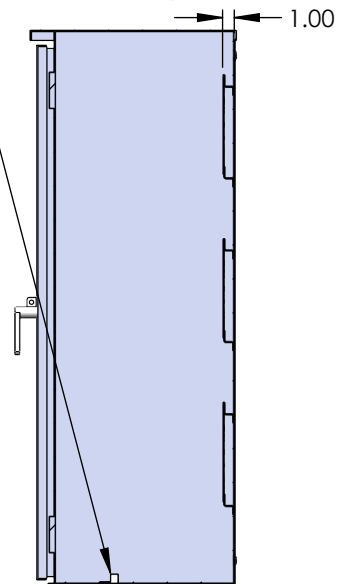
COVERED VIEW



OPENED VIEW



SIDE VIEW



SIDE VIEW SECTIONED

A

A

DRAWN BY	NAME	DATE
N. BOSETTI		5/20/2025
REVIEWED BY		

**NAV-TECH**  
INCORPORATED

155 MARCUS BLVD  
HAUPPAUGE, NEW YORK 11788  
PH: (718) 257-2111 FAX: (718) 257-2626

MAT'L:	14 GAUGE GALV STEEL
FINISH:	GRAY POWDER COAT ANSI 61 2MM THICK
WEIGHT:	
ALL DIMENSIONS ARE NOMINAL UNLESS EXPLICITLY STATED OTHERWISE	

DRAWING TITLE:	FLORIDA POWER & LIGHT CT CABINET 46 X 30 X 15
PART #:	NAV-FPL-CTR-463015
<b>DO NOT SCALE DRAWING</b>	

DESCRIPTION:	FLORIDA POWER & LIGHT NEMA 3R CT CABINET 46" X 30" X 15"				
SCALE:	1:10	SIZE	A	SHEET	1 OF 1
REV.					1

2

1