

# NAV-TECH INCORPORATED

An Eleconnex Company

# DISTRIBUTOR CATALOG



## **About Nav-Tech:**

Nav-Tech is a leading low voltage electrical utility metering, power distribution, and enclosure manufacturing company based in New York. We provide top-tier solutions for commercial, industrial, and residential applications with a commitment to quality, innovation, and customer satisfaction.

## **Our Mission:**

At Nav-Tech, our mission is to design and manufacture high quality, cost effective and purpose-built electrical products that meet the evolving codes, and unique needs of our customers. We strive to engineer intelligent solutions in power distribution with safety, and installation efficiency in mind. Through our experienced engineers, sourcing expertise, cutting-edge manufacturing technology and superior craftsmanship, we create highly capable power distribution solutions.

## **What We Specialize in:**

- Electrical Metering Solutions – UL Listed, engineered, utility low voltage metering enclosures to monitor and manage electrical consumption from 100A to 4000A services.
- Power Distribution Systems – Robust and scalable CT cabinet, switchboard and tap box solutions for efficient power distribution across facilities through UL 891 requirements.
- Stock or Custom Enclosures & Bus – Durable and high-quality furnished or unfurnished enclosures designed to protect electrical components and provide safety to customers in various environments.

## **Why Choose Nav-Tech?**

- Industry Expertise – Backed by years of experience and a team of skilled professionals, we understand the complexities of modern electrical infrastructure.
- Innovative Solutions – We are never afraid to create unique and customer driven solutions that leverage the latest technology. We strive to create products that improve the installer and customer experience.
- Commitment to Quality – Our products are designed and manufactured to meet the highest industry standards, ensuring durability and performance.
- Customer-Centric Approach – We work closely with our clients to provide tailored solutions that fit their specific needs.

## **Contact Us:**

For more information about our products and services, get in touch with us today. Let Nav-Tech be your trusted partner in electrical solutions.



# Table of Contents

<b><u>Nema Enclosures</u></b> .....	4
◦ Screw Cover Boxes Indoor .....	5
◦ Screw Cover Boxes Raintight .....	9
◦ Weatherproof Screw Cover Boxes .....	13
◦ Hinge Cover Boxes Indoor .....	15
◦ Weatherproof Hinge Cover Boxes .....	17
◦ Submersible Hinge Cover Box .....	21
<b><u>Nema Trough Wireways:</u></b> .....	22
◦ Trough Wireway Indoor .....	23
◦ Trough Wireway Raintight .....	25
◦ Weatherproof Wireway Trough .....	27
<b><u>Busbars</u></b> .....	31
<b><u>Metering</u></b> .....	39
◦ Self Contained .....	40
◦ CT Rated .....	42
<b><u>Test Switches</u></b> .....	44
<b><u>CT Cabinets</u></b> .....	46
◦ Furnished .....	47
◦ Unfinished .....	48
◦ Utilities .....	49
◦ Packages .....	56
<b><u>Disconnect Switches</u></b> .....	62
<b><u>Transfer Switches</u></b> .....	66
<b><u>Trans Sockets</u></b> .....	68
<b><u>Trans Socket Disconnect Combos</u></b> .....	71
<b><u>Switchboards</u></b> .....	75
<b><u>Tap Boxes</u></b> .....	80
<b><u>Fire Alarm Products</u></b> .....	81
<b><u>Elevator Products</u></b> .....	82

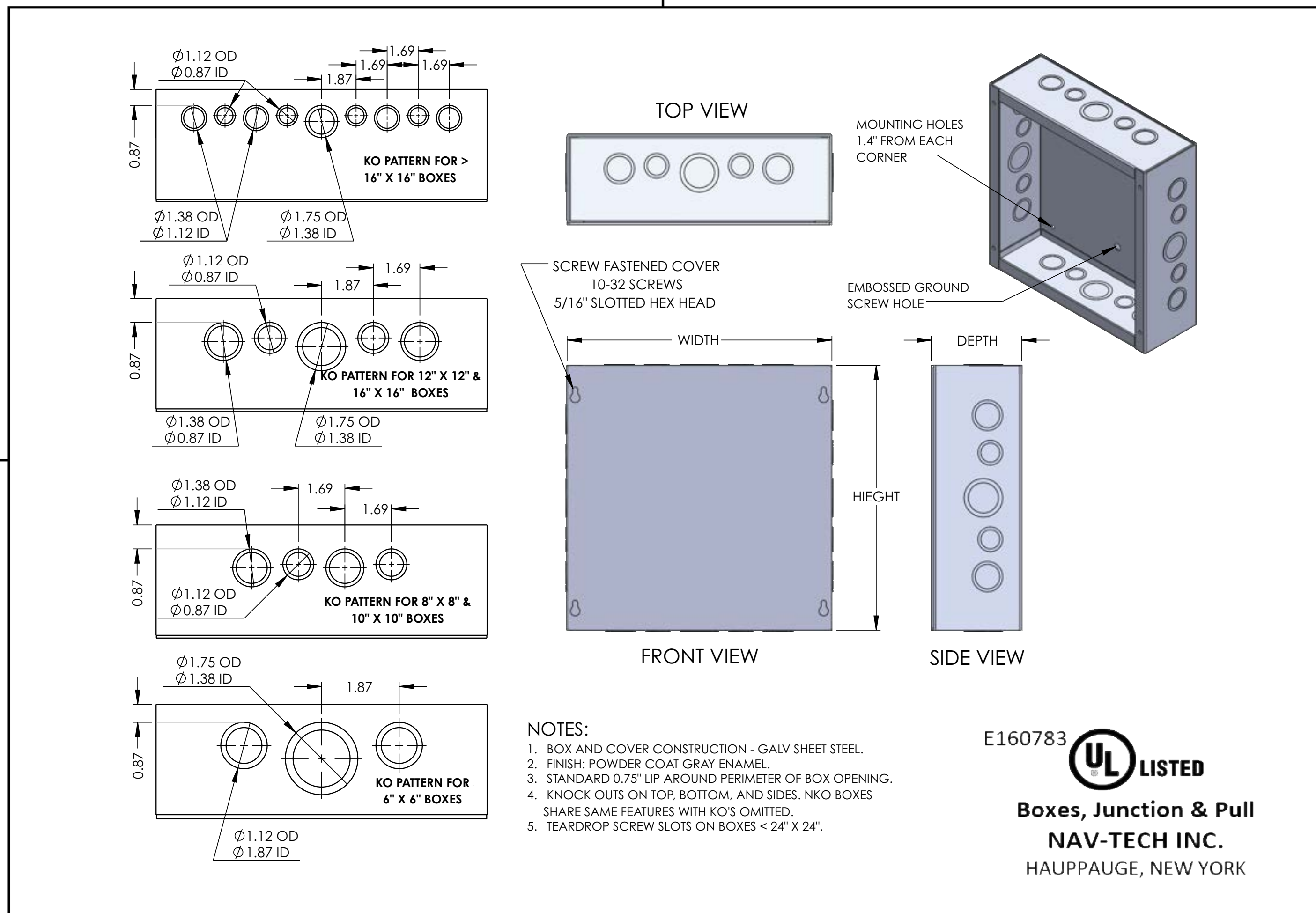
## **Description:**

Engineered for reliable protection of electrical and control equipment, Nav-Tech NEMA enclosures are available in multiple configurations for indoor and outdoor use. With options spanning Type 1, Type 3R, and Type 4X ratings, these enclosures deliver durability, flexibility, and compliance with UL and NEMA standards across a wide range of applications.

## **Contents:**

Screw Cover Boxes Type 1 Indoor  
Screw Cover Boxes Type 3R Outdoor  
Weatherproof Screw Cover Boxes Types 3/4/12/13  
Hinge Screw Cover Box Type 1  
Weatherproof Hinge Cover Box Type 4X  
Submersible Hinge Cover Box Type 6/6P  
Oversized Cabinets





## Features

- Enclosure and cover are produced with 16, 14, or 12 gauge steel in accordance with UL standards.
- Available with or without knockouts. For no knockouts, refer to suffix -NK in catalog number.
- Available with or without paint. For no paint, refer to suffix -NP in catalog number. Unpainted enclosures are made to order.
- Covers have teardrop slots for easy installation and are attached to body with plated screws.
- Grounding embossment standard in rear of box. Grounding screws sold separately.
- Holes are incorporated into the back of enclosure for mounting.
- ANSI 61 wrinkle gray polyester powder coating.
- Available Accessories: Flush cover, replacement cover, extra screws, ground screws, back plates.

## Application

- Designed for use as a junction box or pull box.
- For indoor use to provide protection against contact with enclosed equipment where moisture and dust are not a problem.

- UL 50 listed
- NEMA 1 enclosure



**\*Stainless steel or aluminum available upon request**  
**\*Additional sizes available upon request**

No Knockouts		
Catalog Number	Dimensions H x W x D (Inches)	UPC Codes
SC664NK	6 x 6 x 4	616983211205
SC666NK	6 x 6 x 6	616983211229
SC884NK	8 x 8 x 4	616983211250
SC886NK	8 x 8 x 6	616983211274
SC888NK	8 x 8 x 8	616983211281
SC10104NK	10 x 10 x 4	616983210581
SC10106NK	10 x 10 x 6	616983210604
SC10108NK	10 x 10 x 8	616983210628
SC12124NK	12 x 12 x 4	616983210642
SC12126NK	12 x 12 x 6	616983210666
SC12128NK	12 x 12 x 8	616983210673
SC16168NK	16 x 16 x 8	705332309899
SC18126NK	18 x 12 x 6	616983210734
SC18184NK	18 x 18 x 4	616983210772
SC18186NK	18 x 18 x 6	705332319119
SC18188NK	18 x 18 x 8	705332319126
SC181810	18 x 18 x 10	705332319102
SC181812NK	18 x 18 x 12	616983210758
SC24126NK	24 x 12 x 6	616983210840
SC24244NK	24 x 24 x 4	616983210932
SC24246NK	24 x 24 x 6	616983210956
SC24248NK	24 x 24 x 8	616983210963
SC242410NK	24 x 24 x 10	616983210895
SC242412NK	24 x 24 x 12	616983210901
SC242418NK	24 x 24 x 18	616983210918
SC30306NK	30 x 30 x 6	616983211014
SC30308NK	30 x 30 x 8	616983211021
SC303010NK	30 x 30 x 10	616983210970
SC303012NK	30 x 30 x 12	616983210987
SC303018NK	30 x 30 x 18	616983210994
SC36248NK	36 x 24 x 8	616983211076
SC362412NK	36 x 24 x 12	616983211052
SC36366NK	36 x 36 x 6	616983211120
SC36368NK	36 x 36 x 8	616983211137
SC363610NK	36 x 36 x 10	616983211083
SC363612NK	36 x 36 x 12	616983211090
SC363618NK	36 x 36 x 18	616983211106
SC363624NK	36 x 36 x 24	616983211113
SC484812NK	48 x 48 x 12	705332319140
SC484824NK	48 x 48 x 24	616983211175

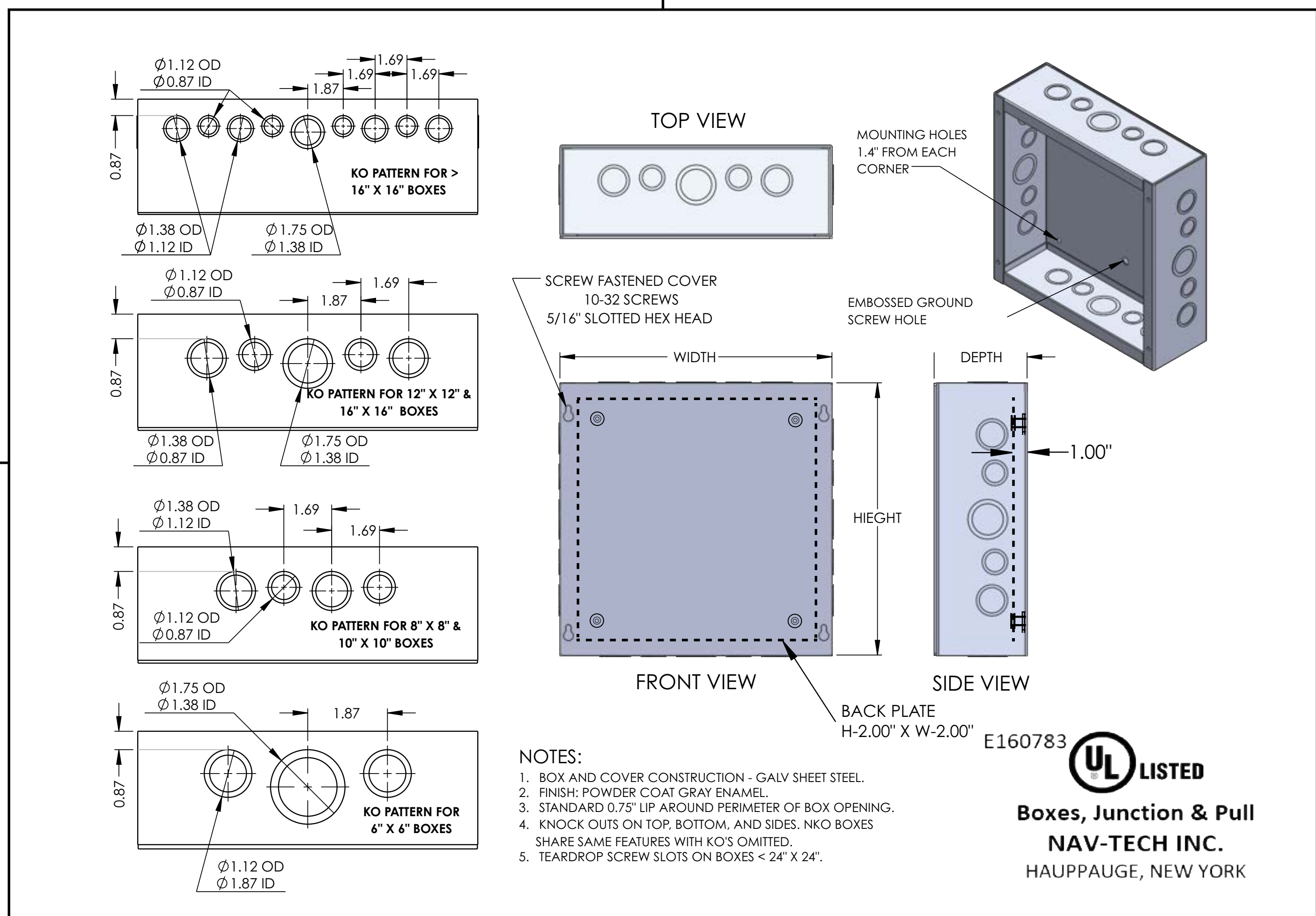
Knockouts		
Catalog Number	Dimensions H x W x D (Inches)	UPC Codes
SC664	6 x 6 x 4	616983211199
SC666	6 x 6 x 6	616983211212
SC864	8 x 6 x 4	616983211236
SC884	8 x 8 x 4	616983211243
SC886	8 x 8 x 6	616983211267
SC10104	10 x 10 x 4	616983210574
SC10106	10 x 10 x 6	616983210598
SC12124	12 x 12 x 4	616983210635
SC12126	12 x 12 x 6	616983210659
SC16126	16 x 12 x 6	616983210680
SC16164	16 x 16 x 4	616983210697
SC16166	16 x 16 x 6	616983210703
SC18124	18 x 12 x 4	616983210710
SC18126	18 x 12 x 6	616983210727
SC18184	18 x 18 x 4	616983210765
SC18186	18 x 18 x 6	616983210789
SC24126	24 x 12 x 6	616983210833
SC24186	24 x 18 x 6	616983210888
SC24244	24 x 24 x 4	616983210925
SC24246	24 x 24 x 6	616983210949
SC30304	30 x 30 x 4	705332319133
SC30306	30 x 30 x 6	
SC484824	48 x 48 x 24	



- UL 50 listed
- NEMA 1 enclosure



# Screw Cover Boxes Type 1 Indoor With Back Plate



## Features

- Enclosure and cover are produced with 16, 14, or 12 gauge steel in accordance with UL standards.
- Available with or without knockouts. For no knockouts, refer to suffix -NK in catalog number.
- Available with or without paint. For no paint, refer to suffix -NP in catalog number. Unpainted enclosures are made to order.
- Covers have teardrop slots for easy installation and are attached to body with plated screws.
- Grounding embossment standard in rear of box. Grounding screws sold separately.
- Holes are incorporated into the back of enclosure for mounting.
- ANSI 61 wrinkle gray polyester powder coating.
- Available Accessories: Flush cover, replacement cover, extra screws, ground screws, back plates.

## Application

- Designed for use as a junction box or pull box.
- For indoor use to provide protection against contact with enclosed equipment where moisture and dust are not a problem.

- UL 50 listed
- NEMA 1 enclosure



# Screw Cover Boxes Type 1 Indoor With Back Plate

**\*Stainless steel or aluminum available upon request**  
**\*Additional sizes available upon request**  
**\*Suffix-BP included for enclosures with back plate**

No Knockouts	
Catalog Number	Dimensions H x W x D (Inches)
SC664NK-BP	6 x 6 x 4
SC666NK-BP	6 x 6 x 6
SC884NK-BP	8 x 8 x 4
SC886NK-BP	8 x 8 x 6
SC888NK-BP	8 x 8 x 8
SC10104NK-BP	10 x 10 x 4
SC10106NK-BP	10 x 10 x 6
SC10108NK-BP	10 x 10 x 8
SC12124NK-BP	12 x 12 x 4
SC12126NK-BP	12 x 12 x 6
SC12128NK-BP	12 x 12 x 8
SC16168NK-BP	16 x 16 x 8
SC18126NK-BP	18 x 12 x 6
SC18184NK-BP	18 x 18 x 4
SC18186NK-BP	18 x 18 x 6
SC18188NK-BP	18 x 18 x 8
SC181810-BP	18 x 18 x 10
SC181812NK-BP	18 x 18 x 12
SC24126NK-BP	24 x 12 x 6
SC24244NK-BP	24 x 24 x 4
SC24246NK-BP	24 x 24 x 6
SC24248NK-BP	24 x 24 x 8
SC242410NK-BP	24 x 24 x 10
SC242412NK-BP	24 x 24 x 12
SC242418NK-BP	24 x 24 x 18
SC30306NK-BP	30 x 30 x 6
SC30308NK-BP	30 x 30 x 8
SC303010NK-BP	30 x 30 x 10
SC303012NK-BP	30 x 30 x 12
SC303018NK-BP	30 x 30 x 18
SC36248NK-BP	36 x 24 x 8
SC362412NK-BP	36 x 24 x 12
SC36366NK-BP	36 x 36 x 6
SC36368NK-BP	36 x 36 x 8
SC363610NK-BP	36 x 36 x 10
SC363612NK-BP	36 x 36 x 12
SC363618NK-BP	36 x 36 x 18
SC363624NK-BP	36 x 36 x 24
SC484812NK-BP	48 x 48 x 12
SC484824NK-BP	48 x 48 x 24

Knockouts	
Catalog Number	Dimensions H x W x D (Inches)
SC664-BP	6 x 6 x 4
SC666-BP	6 x 6 x 6
SC864-BP	8 x 6 x 4
SC884-BP	8 x 8 x 4
SC886-BP	8 x 8 x 6
SC10104-BP	10 x 10 x 4
SC10106-BP	10 x 10 x 6
SC12124-BP	12 x 12 x 4
SC12126-BP	12 x 12 x 6
SC16126-BP	16 x 12 x 6
SC16164-BP	16 x 16 x 4
SC16166-BP	16 x 16 x 6
SC18124-BP	18 x 12 x 4
SC18126-BP	18 x 12 x 6
SC18184-BP	18 x 18 x 4
SC18186-BP	18 x 18 x 6
SC24126-BP	24 x 12 x 6
SC24186-BP	24 x 18 x 6
SC24244-BP	24 x 24 x 4
SC24246-BP	24 x 24 x 6
SC30306-BP	30 x 30 x 6



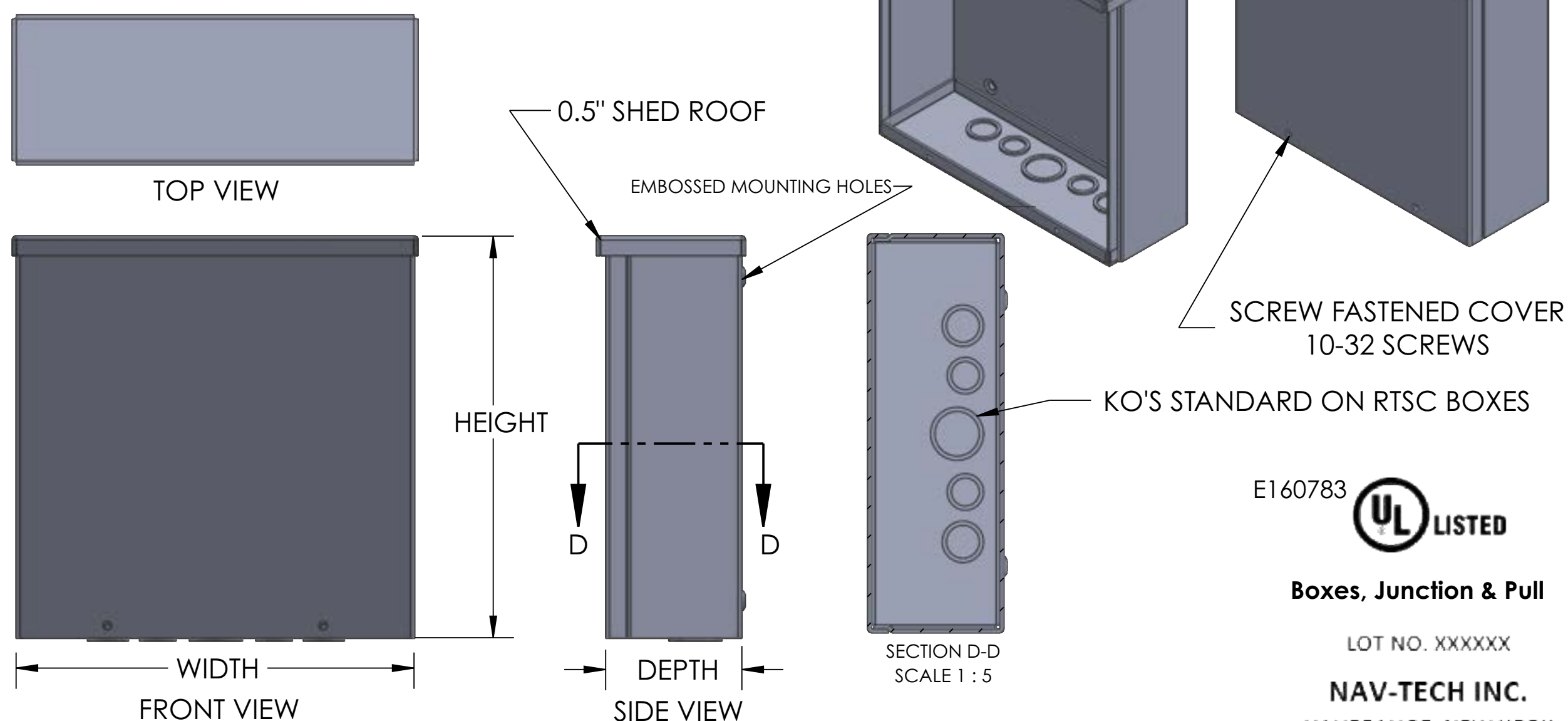
- UL 50 listed
- NEMA 1 enclosure



# Screw Cover Boxes Type 3R Raintight Outdoor

## NOTES:

1. BOX AND COVER CONSTRUCTION- GALV SHEET STEEL.
2. FINISH: POWDER COAT GRAY ENAMEL.
3. STANDARD 0.75" LIP ON BOTTOM EDGE OF OPENING.
4. RAIN TIGHT SHED ROOF CONSTRUCTION INCLUDES STITCH WELD EDGES EMBOSSED MOUNTING POINTS ON ALL FOUR CORNERS, SLIDE ON SCREW COVERS.
5. KO'S COME STANDARD ON BOTTOM OF RAIN TIGHT SCREW COVER BOXES.



## Features

- Enclosure and cover are manufactured from 16, 14, or 12 gauge G90 galvanized steel in accordance with UL Standards.
- The cover is designed to fit under the shed roof, held in place with plated steel screws.
- Available with or without paint—for no paint refer to suffix -NP in the catalog number. Unpainted enclosures are made to order.
- Boxes are available with or without concentric knockouts on the bottom—for no knockouts refer to suffix -NK in the catalog number. NK boxes are made to order.
- Mounting holes are embossed on the rear of each enclosure.
- ANSI 61 gray polyester powder coating wrinkle.
- Available Accessories: Replacement cover, touch-up paint, barrel lock, replacement screws, backplates, ground screws.

## Application

- Designed for use as a junction box or pull box.
- For outdoor use to provide protection against rain, sleet or snow, or indoors where dripping water is a problem.

- NEMA Type 3R
- UL 50 Type 3R
- CUL Type 3R (equivalent to CSA)



# Screw Cover Boxes Type 3R Raintight Outdoor

\*Stainless steel or aluminum available upon request  
\*Additional sizes available upon request

Catalog Number	Dimensions H x W x D (Inches)
RTSC664	6x6x4
RTSC666	6X6X6
RTSC884	8x8x4
RTSC886	8x8x6
RTSC10104	10x10x4
RTSC10106	10x10x6
RTSC12124	12x12x4
RTSC12126	12x12x6
RTSC18186	18x18x6
RTSC24246	24x24x6



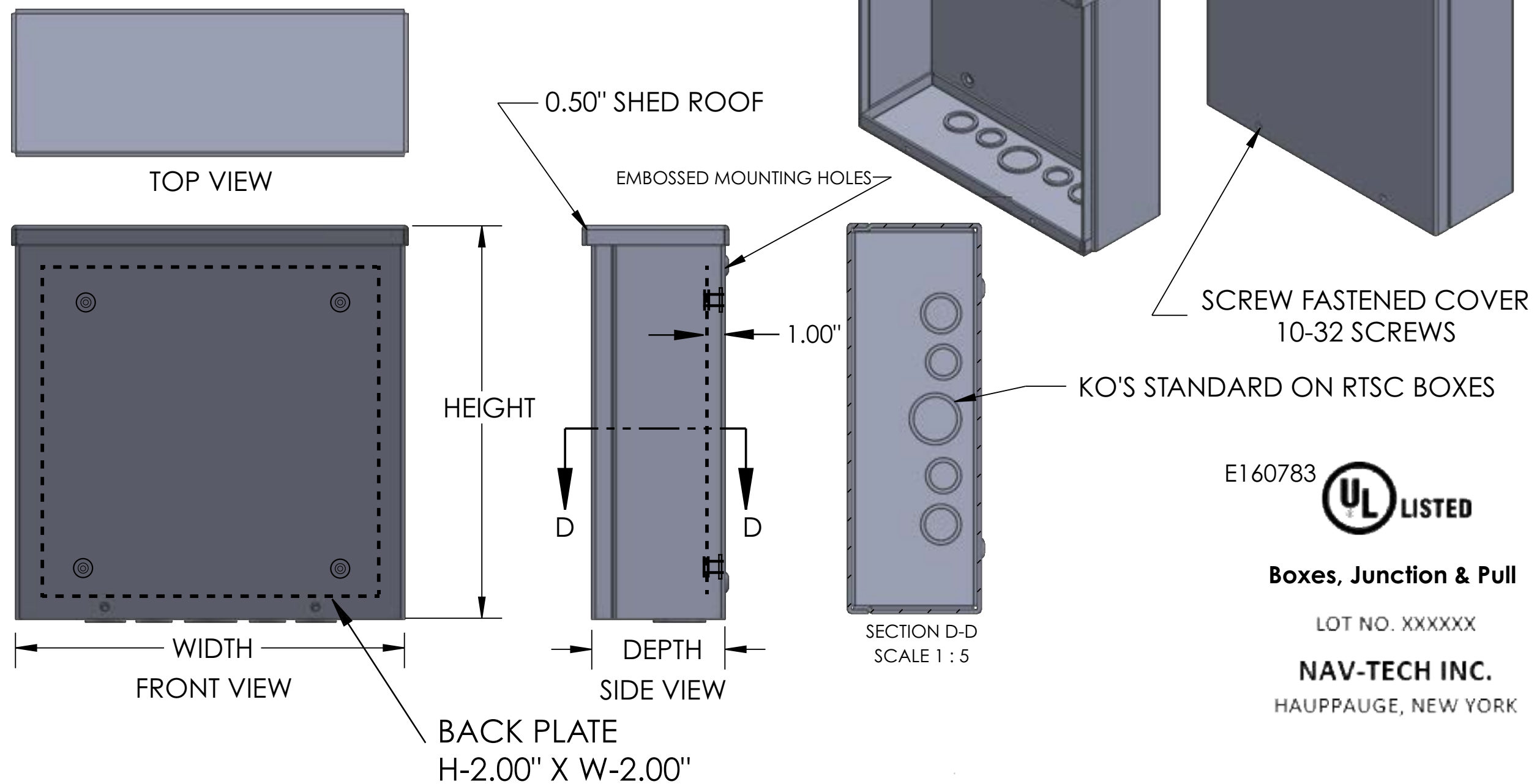
- NEMA Type 3R
- UL 50 Type 3R
- CUL Type 3R (equivalent to CSA)



# Screw Cover Boxes Type 3R Raintight Outdoor With Back Plate

## NOTES:

1. BOX AND COVER CONSTRUCTION- GALV SHEET STEEL.
2. FINISH: POWDER COAT GRAY ENAMEL.
3. STANDARD 0.75" LIP ON BOTTOM EDGE OF OPENING.
4. RAIN TIGHT SHED ROOF CONSTRUCTION INCLUDES STITCH WELD EDGES EMBOSSED MOUNTING POINTS ON ALL FOUR CORNERS, SLIDE ON SCREW COVERS.
5. KO'S COME STANDARD ON BOTTOM OF RAIN TIGHT SCREW COVER BOXES.



E160783



Boxes, Junction &amp; Pull

LOT NO. XXXXXX

NAV-TECH INC.

HAUPPAUGE, NEW YORK

## Features

- Enclosure and cover are manufactured from 16, 14, or 12 gauge G90 galvanized steel in accordance with UL Standards.
- The cover is designed to fit under the shed roof, held in place with plated steel screws.
- Available with or without paint—for no paint refer to suffix -NP in the catalog number. Unpainted enclosures are made to order.
- Boxes are available with or without concentric knockouts on the bottom—for no knockouts refer to suffix -NK in the catalog number. NK boxes are made to order.
- Mounting holes are embossed on the rear of each enclosure.
- ANSI 61 gray polyester powder coating wrinkle.
- Available Accessories: Replacement cover, touch-up paint, barrel lock, replacement screws, backplates, ground screws.

## Application

- Designed for use as a junction box or pull box.
- For outdoor use to provide protection against rain, sleet or snow, or indoors where dripping water is a problem.

- NEMA Type 3R
- UL 50 Type 3R
- CUL Type 3R (equivalent to CSA)



# Screw Cover Boxes Type 3R Raintight Outdoor With Back Plate

\*Stainless steel or aluminum available upon request

\*Additional sizes available upon request

\*Suffix-BP included for enclosures with back plate

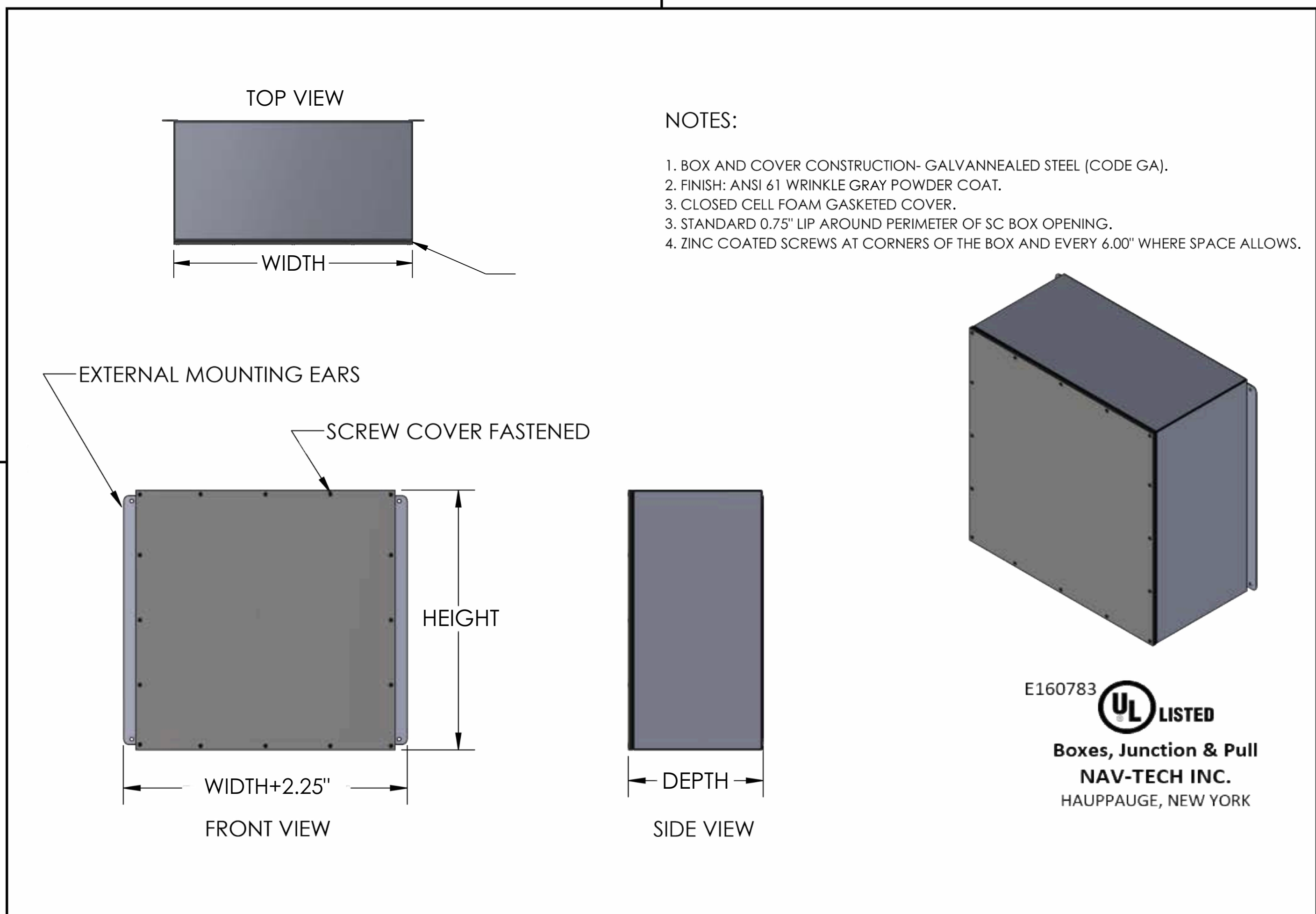
Catalog Number	Dimensions H x W x D (Inches)
RTSC664-BP	6x6x4
RTSC666-BP	6X6X6
RTSC884-BP	8x8x4
RTSC886-BP	8x8x6
RTSC10104-BP	10x10x4
RTSC10106-BP	10x10x6
RTSC12124-BP	12x12x4
RTSC12126-BP	12x12x6
RTSC18186-BP	18x18x6
RTSC24246-BP	24x24x6



- NEMA Type 3R
- UL 50 Type 3R
- CUL Type 3R (equivalent to CSA)



# Weatherproof Screw Cover Boxes Types 3/4/12/13 Outdoor



## Features

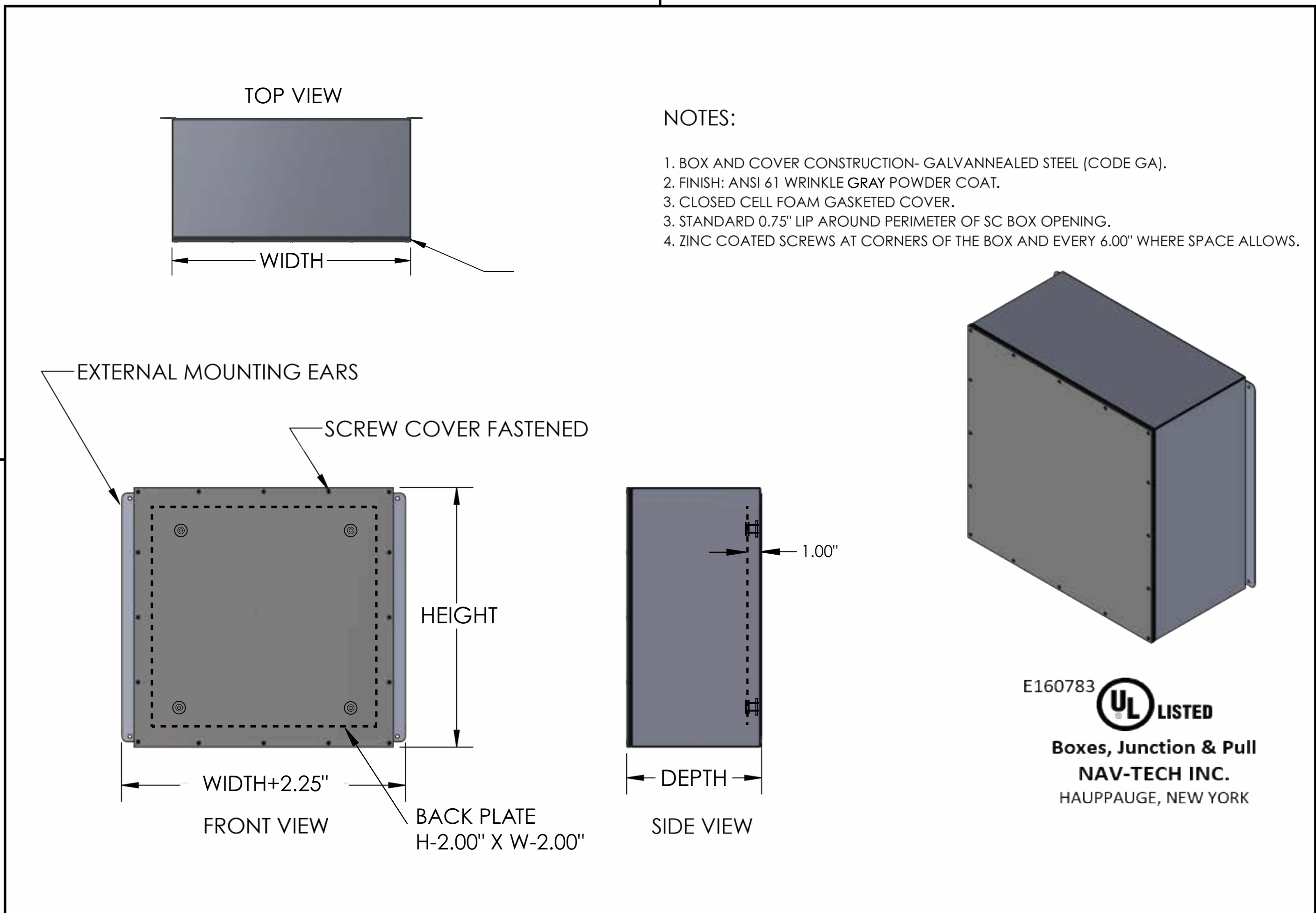
- Enclosure and cover are manufactured from 16, 14, or 12 gauge G90 galvanized steel in accordance with UL Standards.
- All WPSC boxes come without knockouts and are continuously welded and ground smooth.
- Available with or without paint and in stainless steel.
- Covers are neoprene gasketed and fastened with plated screws.
- External mounting ears are standard.
- ANSI 61 wrinkle gray polyester powder coat standard finish.
- Available Accessories: Flush cover, replacement cover, extra screws, ground screws, back plates.

## Application

- Designed for use as a junction box or pull box.
- For indoor or outdoor use to provide protection against dust, moisture, splashing and hose directed water.

- NEMA Types 3/4/12/13
- UL 50 Types 3/4/12/13
- CUL Types 3/4/12/13





## Features

- Enclosure and cover are manufactured from 16, 14, or 12 gauge G90 galvanized steel in accordance with UL Standards.
- All WPSC boxes come without knockouts and are continuously welded and ground smooth.
- Available with or without paint and in stainless steel.
- Covers are neoprene gasketed and fastened with plated screws.
- External mounting ears are standard.
- ANSI 61 wrinkle gray polyester powder coat standard finish.
- Available Accessories: Flush cover, replacement cover, extra screws, ground screws, back plates.

## Application

- Designed for use as a junction box or pull box.
- For indoor or outdoor use to provide protection against dust, moisture, splashing and hose directed water.

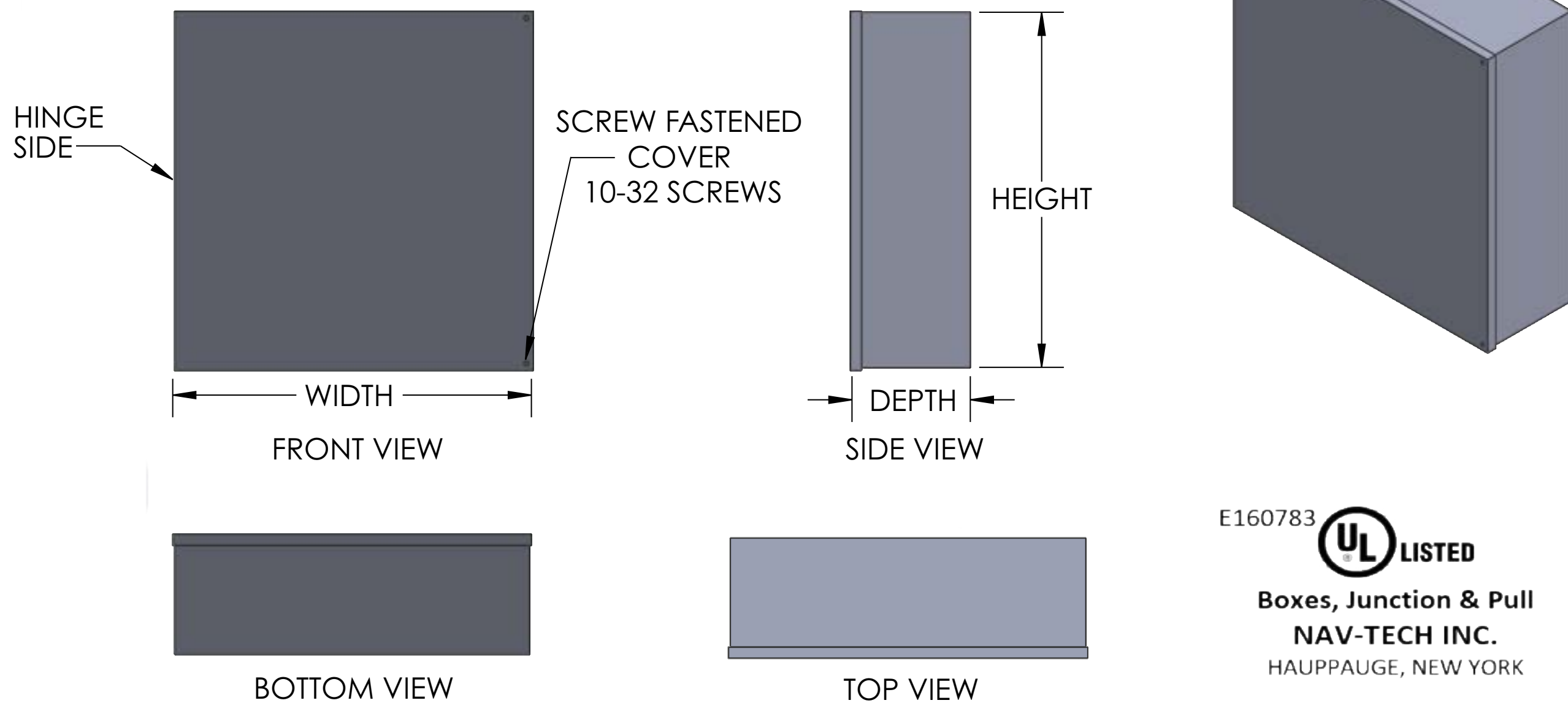
- NEMA Types 3/4/12/13
- UL 50 Types 3/4/12/13
- CUL Types 3/4/12/13



# Hinge Screw Cover Box Type 1 Indoor

## NOTES:

1. BOX AND COVER CONSTRUCTION - GALV SHEET STEEL.
2. FINISH: POWDER COAT GRAY ENAMEL.
3. STANDARD 0.75" LIP AROUND PERIMETER OF BOX OPENING.
4. STITCH WELD CONSTRUCTION WITH HINGED FLANGED SCREW COVER.



## Features

- Enclosure and cover are produced with 16, 14, or 12 gauge steel in accordance with UL standards.
- Flanged steel door provided with a continuous steel piano hinge.
- Hinge cover boxes are fastened by default with screws. A flush coin-turn latch or keyed locks available by request.
- Available with or without knockouts. For no knockouts, refer to suffix -NK in catalog number.
- Available with or without paint. For no paint, refer to suffix -NP in catalog number. Unpainted enclosures are made to order.
- Grounding embossment standard in rear of box. Grounding screws sold separately.
- Holes are incorporated into the back of the enclosure for mounting.
- ANSI 61 wrinkle gray polyester powder coating.
- Available Accessories: Flush coin-turn latch, keyed turn latch, ground screws, replacement cover screws.

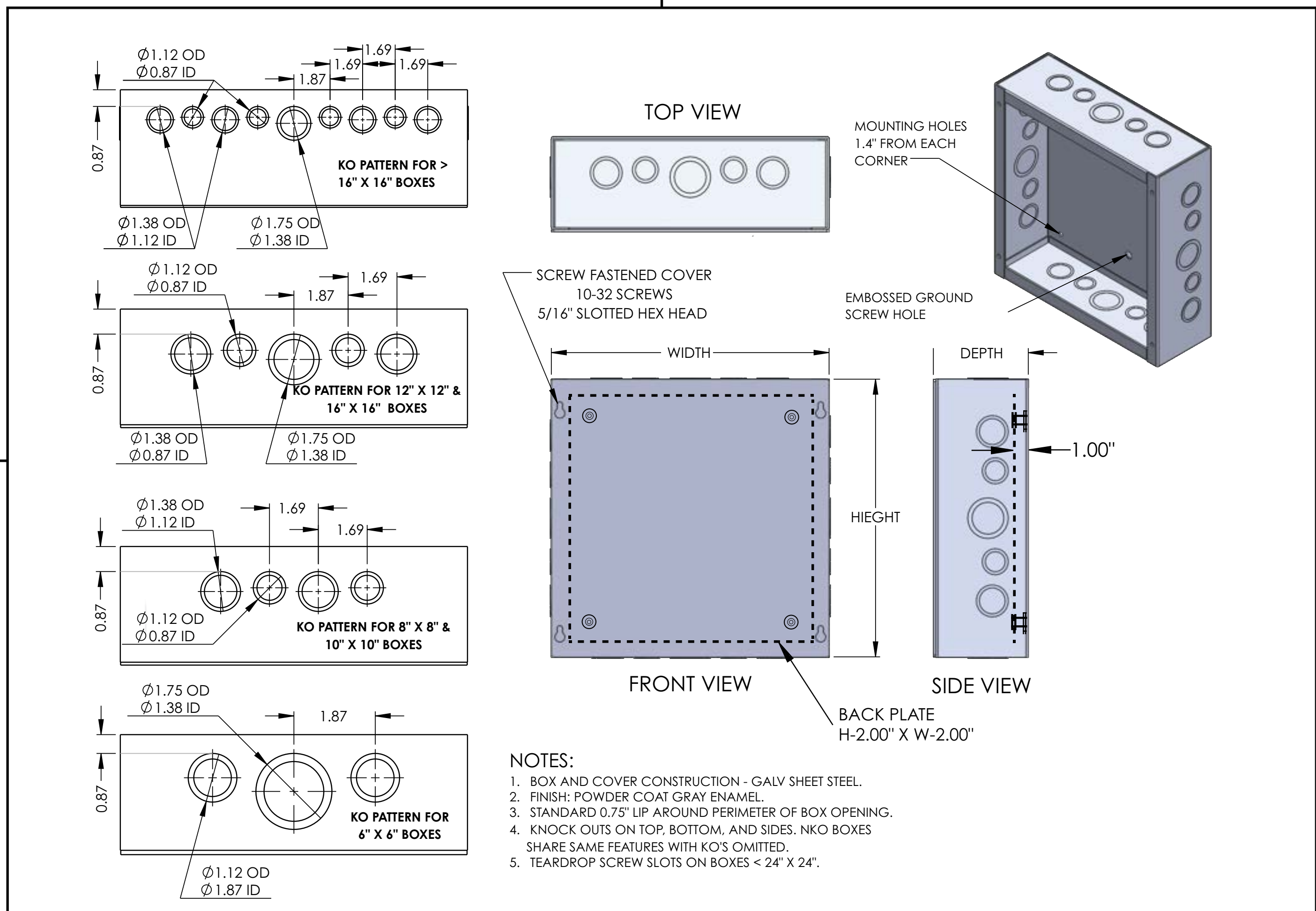
## Application

- Designed for use as a junction box or pull box.
- For indoor use to provide protection against contact with enclosed equipment where moisture and dust are not a problem.

- NEMA Type 1
- UL 50 Type 1
- CUL Type 1 (equivalent to CSA)



# Hinge Screw Cover Box Type 1 Indoor With Back Plate



## Features

- Enclosure and cover are produced with 16, 14, or 12 gauge steel in accordance with UL standards.
- Flanged steel door provided with a continuous steel piano hinge.
- Hinge cover boxes are fastened by default with screws. A flush coin-turn latch or keyed locks available by request.
- Available with or without knockouts. For no knockouts, refer to suffix -NK in catalog number.
- Available with or without paint. For no paint, refer to suffix -NP in catalog number. Unpainted enclosures are made to order.
- Grounding embossment standard in rear of box. Grounding screws sold separately.
- Holes are incorporated into the back of the enclosure for mounting.
- ANSI 61 wrinkle gray polyester powder coating.
- Available Accessories: Flush coin-turn latch, keyed turn latch, ground screws, replacement cover screws.

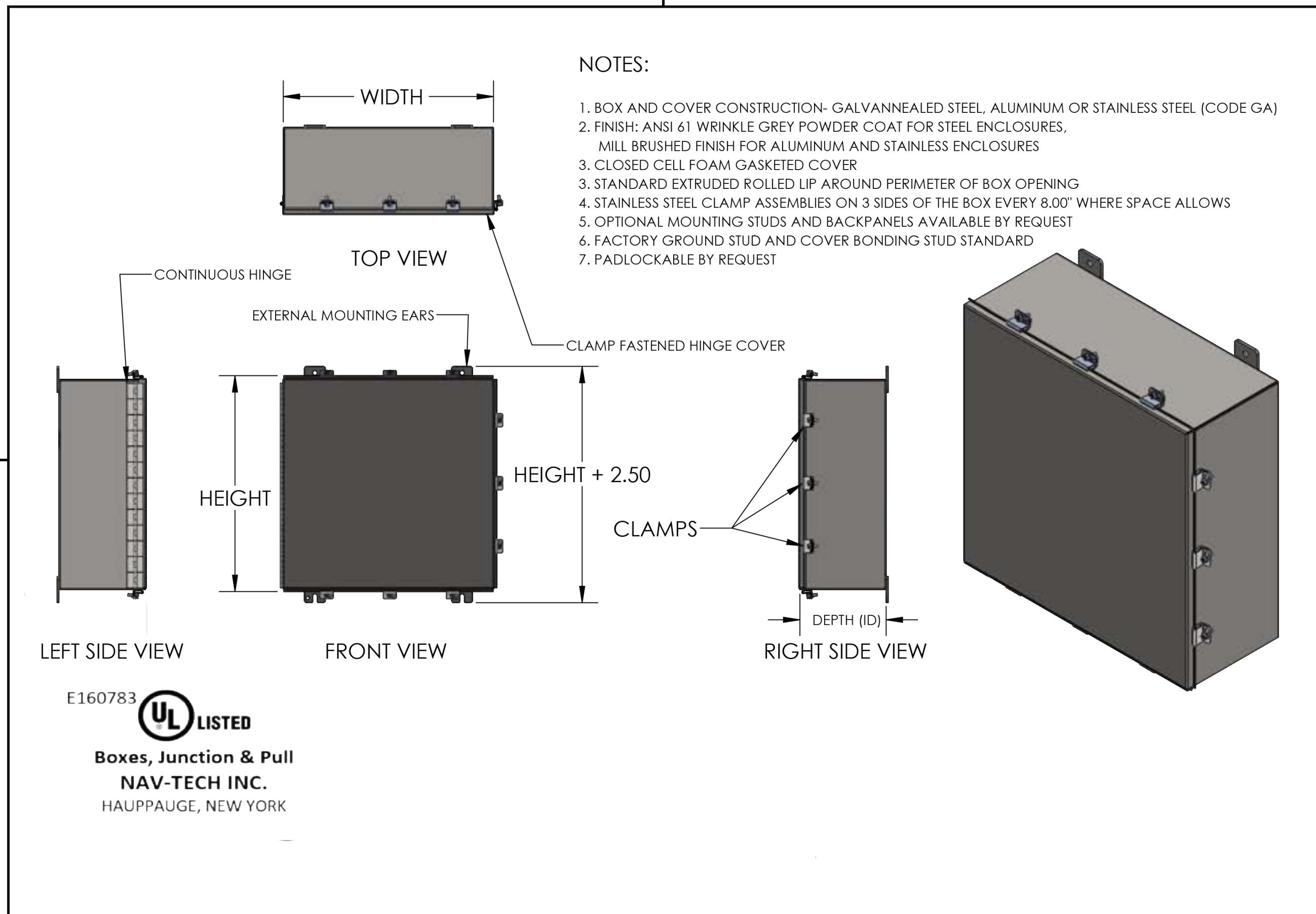
## Application

- Designed for use as a junction box or pull box.
- For indoor use to provide protection against contact with enclosed equipment where moisture and dust are not a problem.

- NEMA Type 1
- UL 50 Type 1
- CUL Type 1 (equivalent to CSA)



# Weatherproof Hinge Cover Box Type 4X Outdoor JIC Style



- \*Stainless steel or aluminum available upon request**
- \*Additional sizes available upon request**
- \*Part number: wphcbx(HHWWDD)-ss(304 or 316); Use height, width, depth for (HHWWDD). Use suffix-BP for enclosures with back plate**

## Features

- Enclosure and cover are manufactured from 16, 14, or 12 gauge stainless steel in accordance with UL Standards.
- Stainless steel external screw clamps on three sides.
- Stainless steel continuous hinge.
- All seams continuously welded and ground smooth.
- Rolled lip around three sides of door and all sides of door and all sides of door opening for watertight seal.
- Neoprene gasket attached to door with oil resistant adhesive.
- Clamps on three sides of door for watertight seal.
- Stainless steel external hardware.
- Hasp and staple provided for padlocking.
- External mounting feet.
- Collar studs for mounting optional panel available upon request.
- Mill brushed finish is standard.

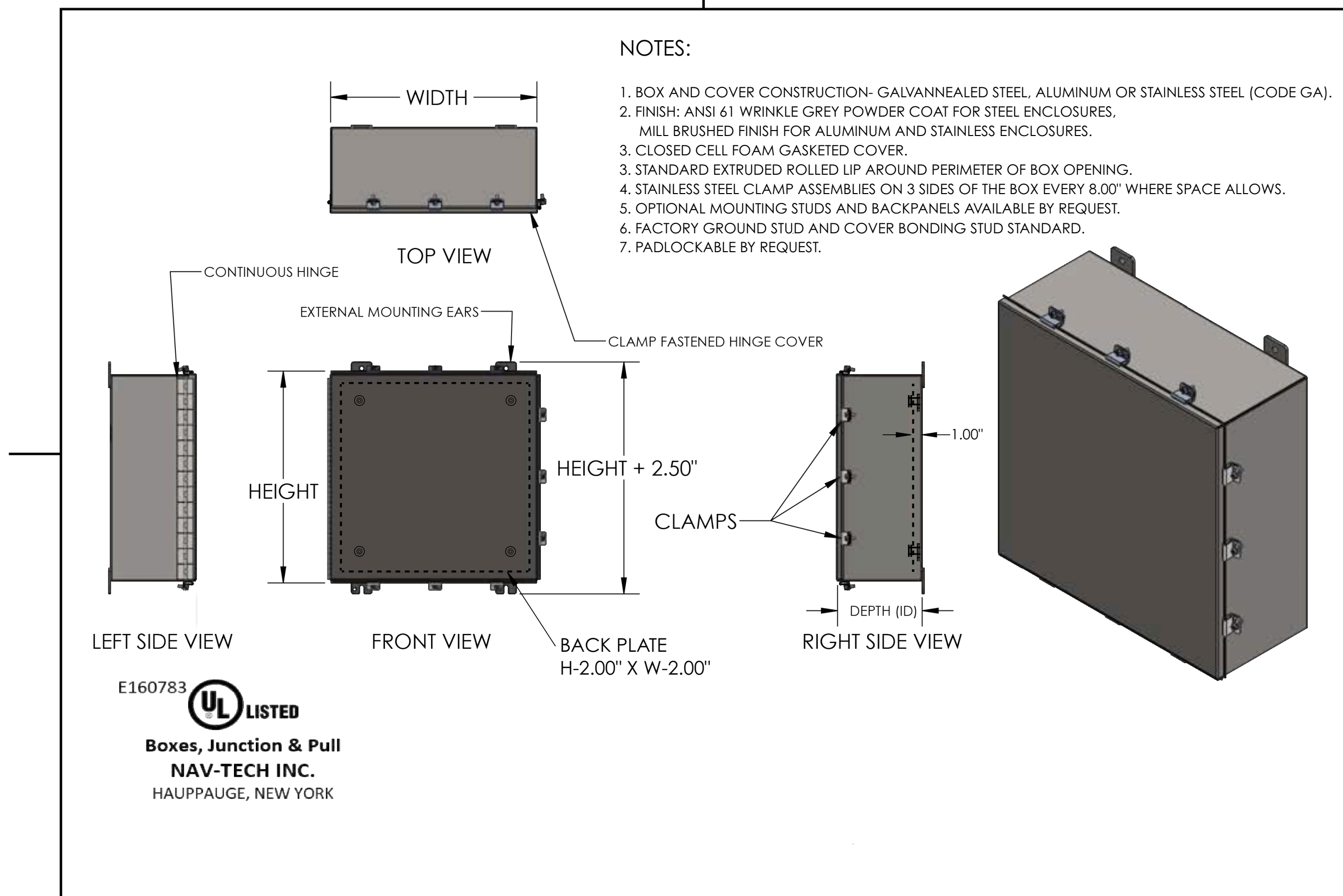
## Application

- Designed to protect wiring in outdoor installations against rain, sleet, or snow, or indoors against dripping water.
- Degree of protection against corrosion.
- Protection against hose directed water.

- NEMA Type 4X
- UL 50
- 50E Listed



# Weatherproof Hinge Cover Box Type 4X Outdoor JIC Style With Back Plate



**\*Stainless steel or aluminum available upon request**

**\*Additional sizes available upon request**

**\*Part number: wphcbx(HHWWDD)-ss(304 or 316); Use height, width, depth for (HHWWDD). Use suffix-BP for enclosures with back plate**

## Features

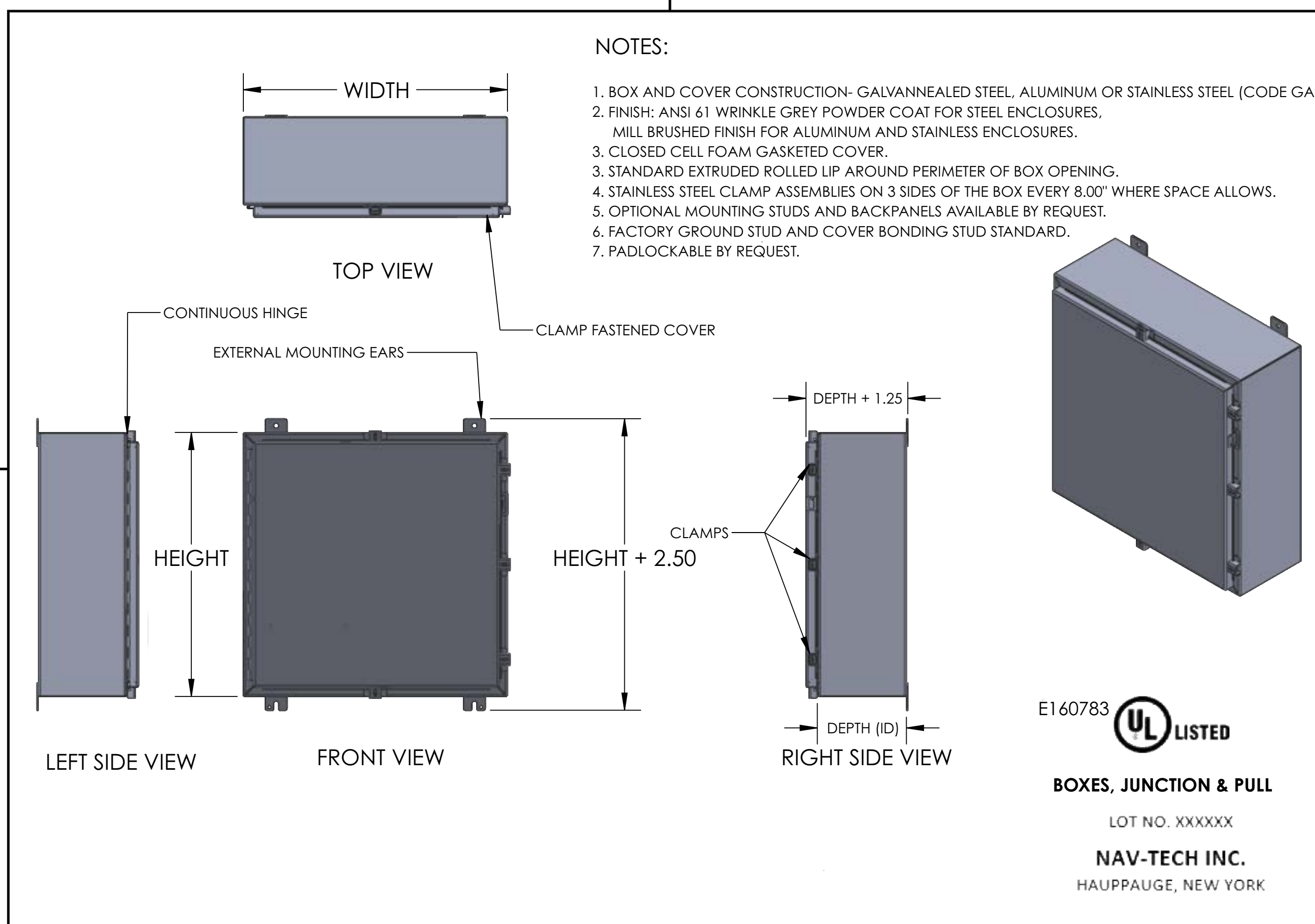
- Enclosure and cover are manufactured from 16, 14, or 12 gauge stainless steel in accordance with UL standards.
- Stainless steel external screw clamps on three sides.
- Stainless steel continuous hinge.
- All seams continuously welded and ground smooth.
- Rolled lip around three sides of door and all sides of door opening for watertight seal.
- Mill brushed finish is standard.
- Neoprene gasket attached to door with oil resistant adhesive.
- Clamps on three sides of door for watertight seal.
- Stainless steel external hardware.
- Hasp and staple provided for padlocking.
- External mounting feet.
- Collar studs for mounting optional panel available upon request.

## Application

- Designed to protect wiring in outdoor installations against rain, sleet, or snow, or indoors against dripping water.
- Degree of protection against corrosion.
- Protection against hose directed water.

- NEMA Type 4X
- UL 50
- 50E Listed





**\*Stainless steel or aluminum available upon request**

**\*Additional sizes available upon request**

**\*Part number: wphcbx(HHWWDD)-ss(304 or 316); Use height, width, depth for (HHWWDD). Use suffix-BP for enclosures with back plate**

## Features

- Enclosure and cover are manufactured from 16, 14, or 12 gauge stainless steel in accordance with UL standards.
- Stainless steel external screw clamps on three sides.
- Stainless steel continuous hinge.
- All seams continuously welded and ground smooth.
- Rolled lip around three sides of door and all sides of door opening for watertight seal.
- Mill brushed finish is standard.
- Neoprene gasket attached to door with oil resistant adhesive.
- Clamps on three sides of door for watertight seal.
- Stainless steel external hardware.
- Hasp and staple provided for padlocking.
- External mounting feet.
- Collar studs for mounting optional panel available upon request.

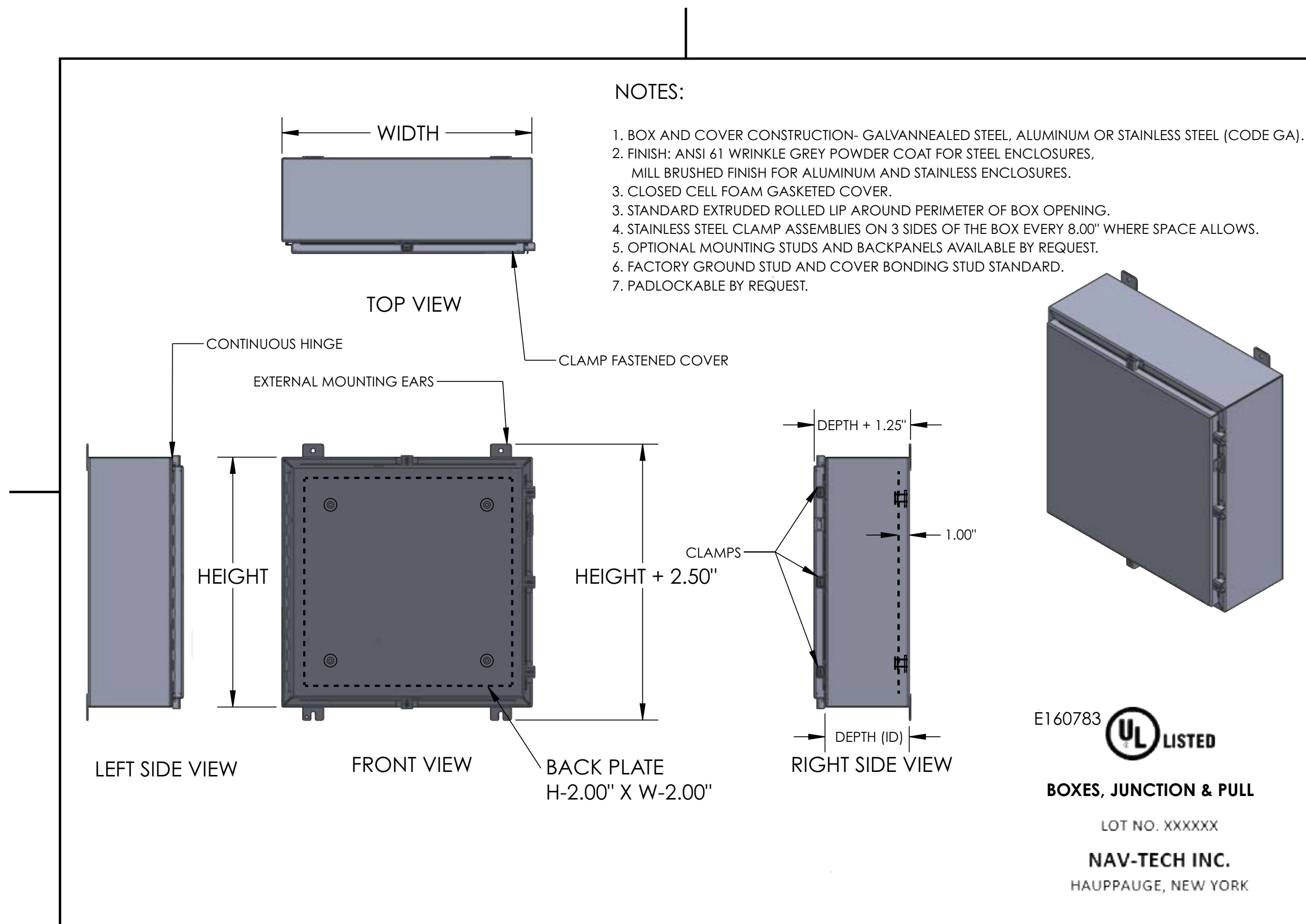
## Application

- Designed to protect wiring in outdoor installations against rain, sleet, or snow, or indoors against dripping water.
- Degree of protection against corrosion.
- Protection against hose directed water.

- NEMA Type 4X
- UL 50
- 50E Listed



# Weatherproof Hinge Cover Box Type 4X Outdoor DSE Style With Back Plate



**\*Stainless steel or aluminum available upon request**

**\*Additional sizes available upon request**

**\*Part number: wphcbx(HHWWDD)-ss(304 or 316); Use height, width, depth for (HHWWDD). Use suffix-BP for enclosures with back plate**

## Features

- Enclosure and cover are manufactured from 16, 14, or 12 gauge stainless steel in accordance with UL standards.
- Stainless steel external screw clamps on three sides.
- Stainless steel continuous hinge.
- All seams continuously welded and ground smooth.
- Rolled lip around three sides of door and all sides of door opening for watertight seal.
- Mill brushed finish is standard.
- Neoprene gasket attached to door with oil resistant adhesive.
- Clamps on three sides of door for watertight seal.
- Stainless steel external hardware.
- Hasp and staple provided for padlocking.
- External mounting feet.
- Collar studs for mounting optional panel available upon request.

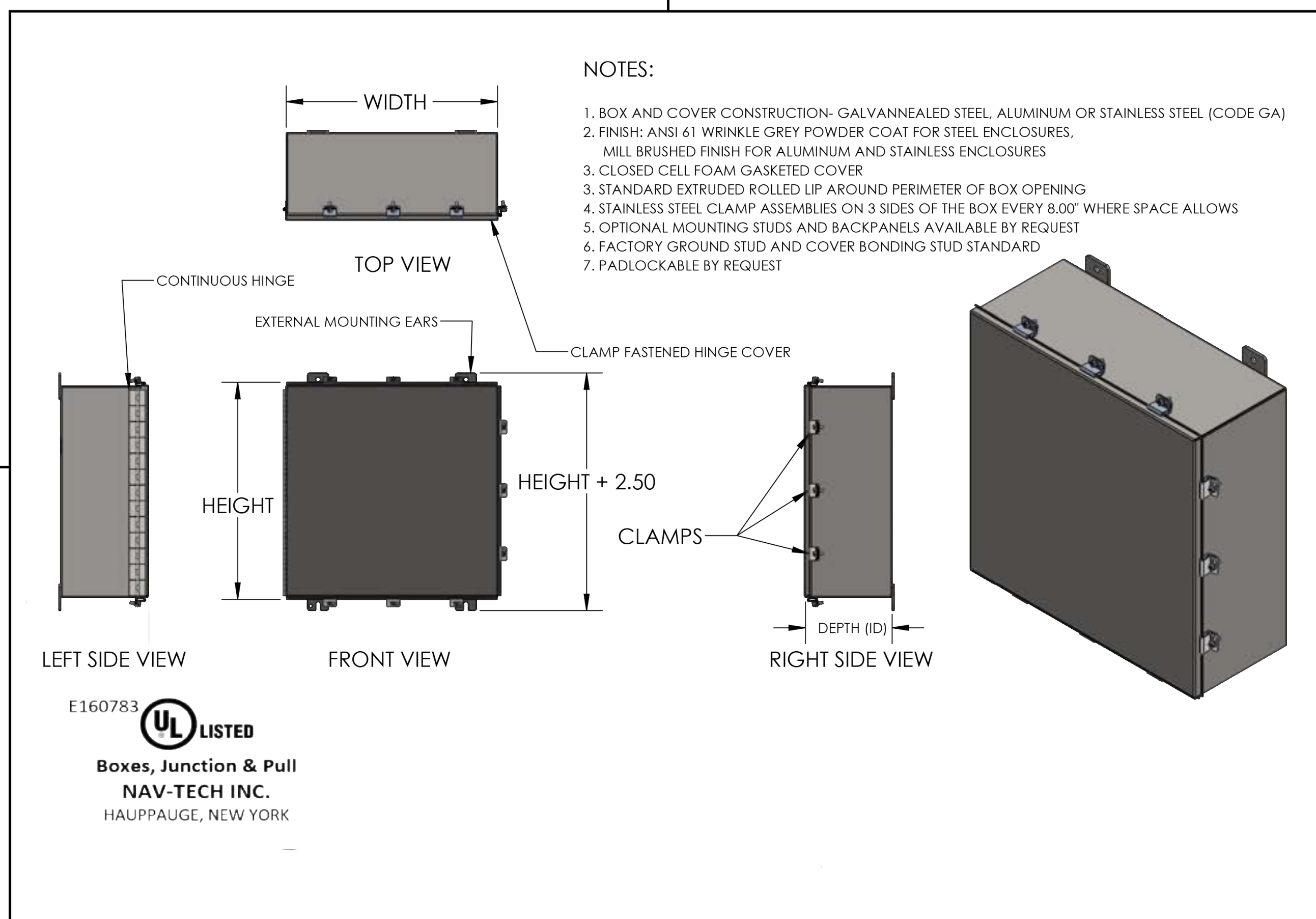
## Application

- Designed to protect wiring in outdoor installations against rain, sleet, or snow, or indoors against dripping water.
- Degree of protection against corrosion.
- Protection against hose directed water.

- NEMA Type 4X
- UL 50
- 50E Listed



# Submersible Hinge Cover Box Type 6/6P JIC Style



- \*Stainless steel or aluminum available upon request
- \*Additional sizes available upon request
- \*Part number: UWHCBX(HHWWDD)-ss(304 or 316); Use height, width, depth for (HHWWDD). Use suffix-BP for enclosures with back plate

## Features

- Enclosure and cover are manufactured from 16, 14, or 12 gauge stainless steel in accordance with UL Standards.
- Stainless steel external screw clamps on three sides.
- Stainless steel continuous hinge.
- All seams continuously welded and ground smooth.
- Rolled lip around three sides of door and all sides of door and all sides of door opening for watertight seal.
- Clamps on three sides of door for watertight seal.
- Neoprene gasket attached to door with oil resistant adhesive.
- Stainless steel external hardware.
- Hasp and staple provided for padlocking.
- External mounting feet.
- Collar studs for mounting optional panel available upon request.
- Mill brushed finish is standard.

## Application

- Designed for power & utility, infrastructure and renewal energy companies requiring ultimate protection against extreme environmental conditions.
- Corrosion resistant Stainless Steel Type 316 and a single piece Neoprene Gasket to provide watertight protection of vital electrical equipment.
- Navtech's standard submersible range of enclosures and accessories delivers a reliable system to meet all industry environmental challenges.

- NEMA Type 6/6P
- UL 50
- 50E Listed



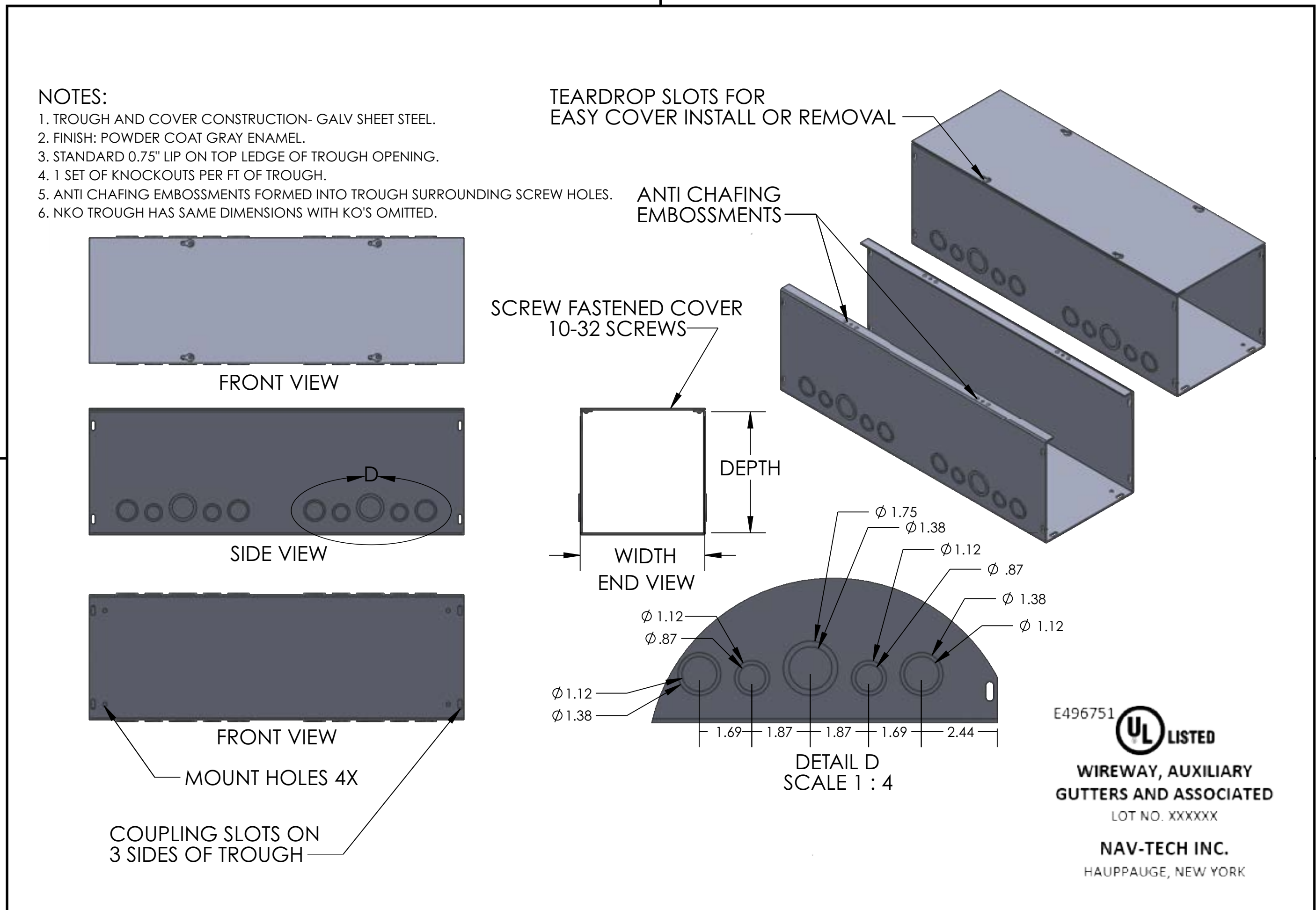
**Description:**

Nav-Tech trough wireways provide an efficient solution for routing and protecting electrical conductors in both indoor and outdoor applications. Available in multiple NEMA ratings and configurations, these wireways combine rugged construction, flexible design options, and compliance with UL and NEMA standards to support a wide range of installation needs.

**Contents:**

Trough Wireway Indoor  
Trough Wireway Raintight  
Weatherproof Wireway Trough





## Features

- Wireway and cover are manufactured from 16 gauge steel.
- Available with or without knockouts. For no knockouts, refer to suffix -NK in catalog number.
- Available with or without paint. For no paint, refer to suffix -NP in catalog number. Non painted trough is non stock.
- Covers incorporate teardrop slots for easy installation or removal and are attached with plated steel screws.
- Available in six standard sizes: 4 x 4, 6 x 6, 8 x 8, 10 x 10 and 12 x 12. Lengths between 1ft and 5ft. Custom sizes available upon request.
- Wide range of fittings allows for change of direction, junctions, terminations as well as transition from competitors products.
- ANSI 61 gray polyester powder coat finish.
- Available accessories shown on trough accessories page.

## Application

- Designed to allow long interrupted runs of electrical wiring for indoor applications where moisture and dust are not a problem.

- NEMA Type 1
- UL 870 Type 1
- CUL Type 1 (equivalent to CSA)



# Trough Wireway Type 1 Indoor

**\*Stainless steel or aluminum available upon request**  
**\*Additional sizes available upon request**

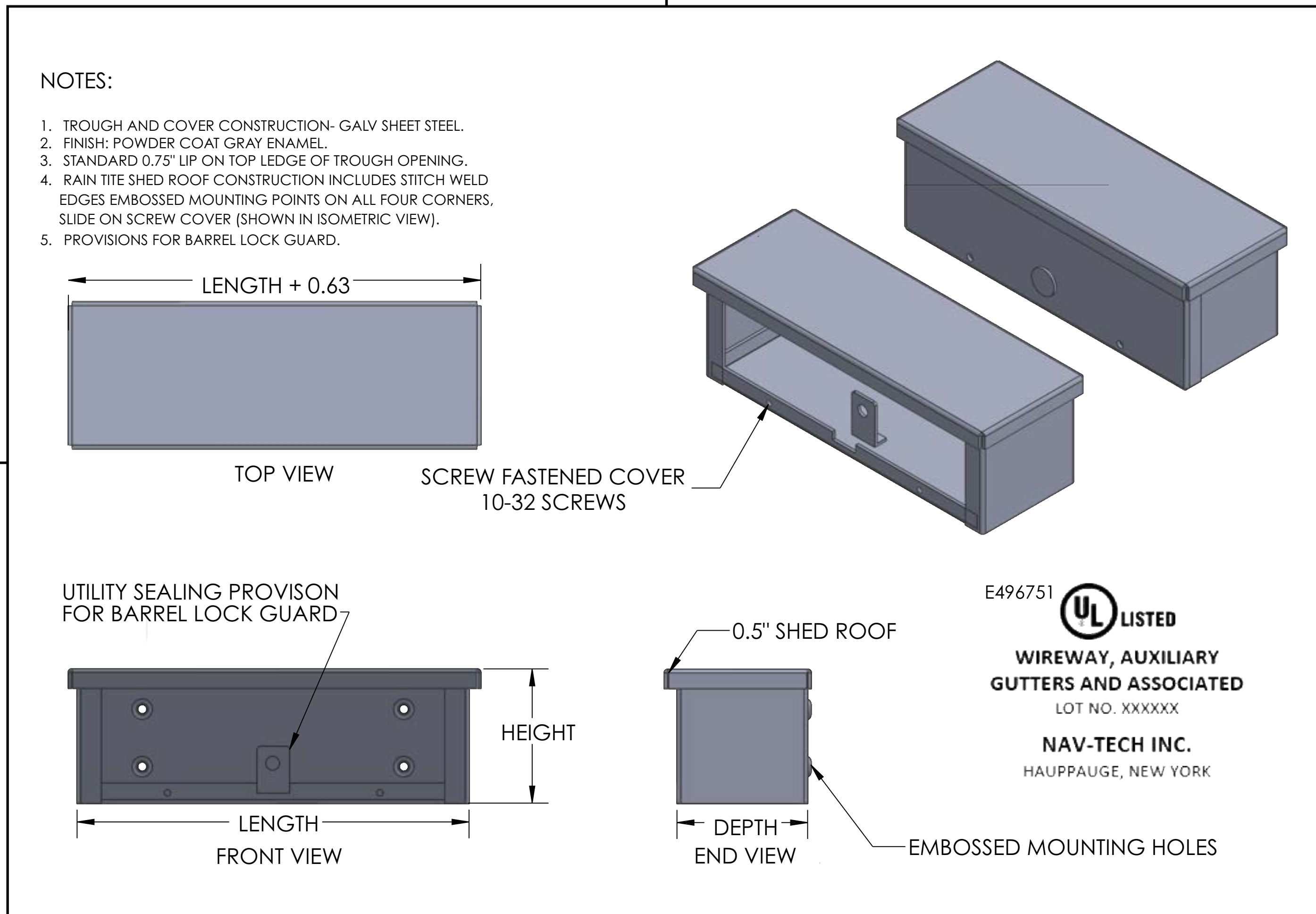
Catalog Number	Dimensions H x W x D (Inches)	UPC Codes
T441	4x4x12	616983211625
T442	4x4x24	616983211632
T443	4x4x36	616983211649
T444	4x4x48	616983211656
T445	4x4x60	616983211663
T661	6x6x12	616983211731
T662	6x6x24	616983211748
T663	6x6x36	616983211755
T664	6x6x48	616983211762
T665	6x6x60	616983211779
T881	8x8x12	616983211847
T882	8x8x24	616983211854
T883	8x8x36	616983211861
T884	8x8x48	616983211878
T885	8x8x60	616983211885
T10101	10x10x12	616983211304
T10102	10x10x24	616983211311
T10103	10x10x36	616983211328
T10104	10x10x48	616983211335
T10105	10x10x60	616983211342
T12121	12x12x12	616983211410
T12122	12x12x24	616983211427
T12123	12x12x36	616983211434

Catalog Number	Dimensions H x W x D (Inches)	UPC Codes
T441NK	4x4x12	705332312431
T442NK	4x4x24	705332312448
T443NK	4x4x36	705332312455
T444NK	4x4x48	705332312462
T445NK	4x4x60	705332312479
T661NK	6x6x12	705332312493
T662NK	6x6x24	705332312509
T663NK	6x6x36	705332312516
T664NK	6x6x48	705332312523
T665NK	6x6x60	705332312530
T881NK	8x8x12	705332312554
T882NK	8x8x24	705332312561
T883NK	8x8x36	705332312578
T884NK	8x8x48	705332312585
T885NK	8x8x60	705332312417
T10101NK	10x10x12	705332312295
T10102NK	10x10x24	705332312301
T10103NK	10x10x36	705332312318
T10104NK	10x10x48	705332312325
T10105NK	10x10x60	705332312332
T12121NK	12x12x12	705332312356
T12122NK	12x12x24	705332312363
T12123NK	12x12x36	705332312370



- NEMA Type 1
- UL 870 Type 1
- CUL Type 1 (equivalent to CSA)





## Features

- Trough and cover are manufactured from 16 gauge G90 galvanized steel.
- Available with or without paint. For no paint, refer to suffix -NP in the catalog number. Unpainted trough is non-stock.
- Cover is designed to fit under the drip shield top, and is held in place with plated steel screws.
- Wireway is available with or without concentric knockouts on the bottom. NK trough is non-stock.
- Embossed mounting holes are provided on the backs of the units.
- Knockout for utility barrel lock seal.
- ANSI 61 gray polyester powder coating over phosphatized G90 galvanized steel.
- Available accessories: Replacement cover, touch-up paint, barrel lock, replacement screws, backplates, ground screws.

## Application

- Designed to protect wiring in outdoor installations against rain, sleet, or snow, or indoors against dripping water.

- NEMA Type 3R
- UL 870 Type 3R
- CUL Type 3R (equivalent to CSA)



# Trough Wireway Type 3R Raintight Outdoor

\*Stainless steel or aluminum available upon request

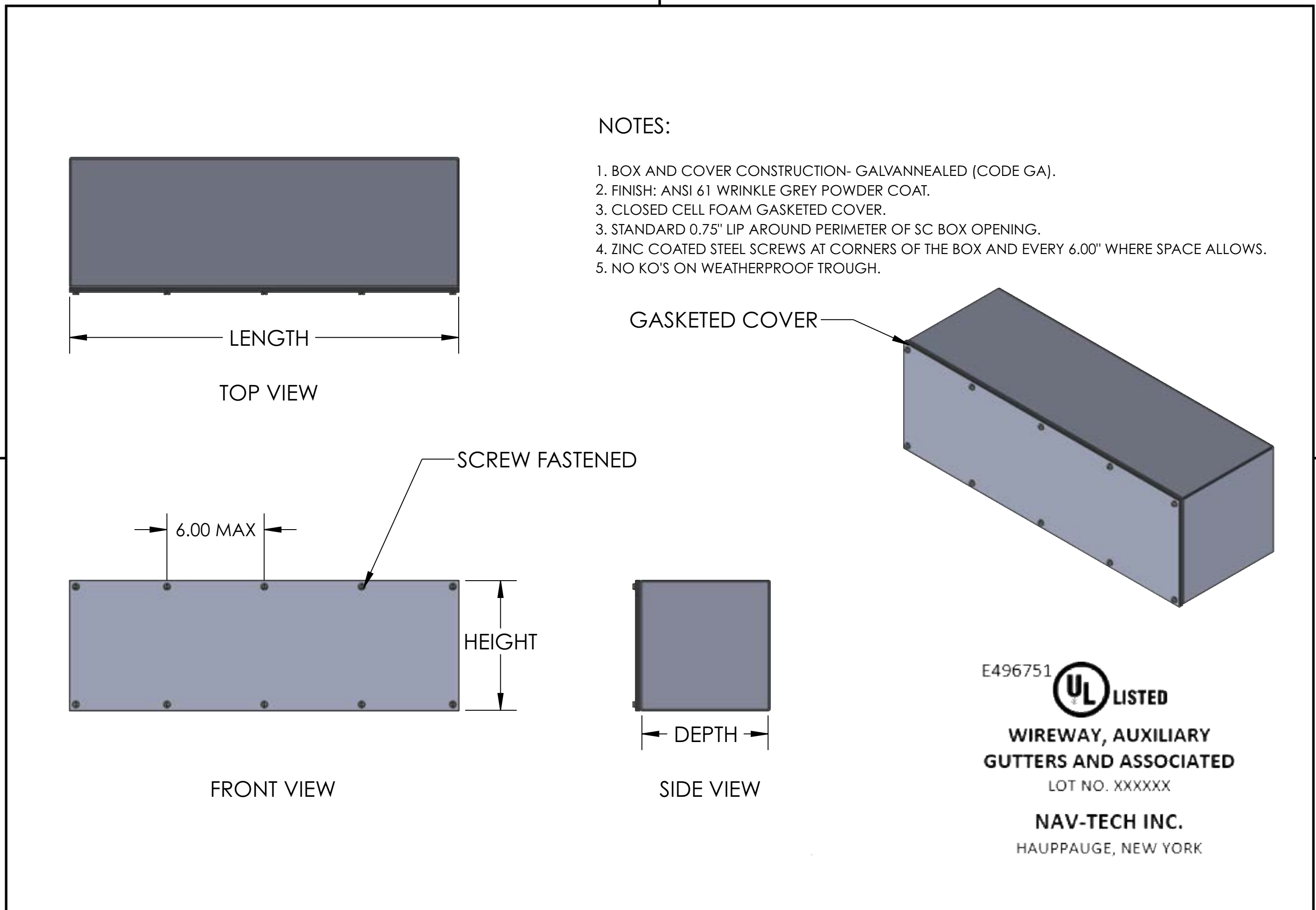
\*Additional sizes available upon request

Catalog Number	Dimensions H x W x D (Inches)	UPC Codes
RTT441	4x4x12	616983210383
RTT442	4x4x24	616983210390
RTT443	4x4x36	616983210406
RTT444	4x4x48	616983210413
RTT445	4x4x60	616983210321
RTT661	6x6x12	616983210338
RTT662	6x6x24	616983210345
RTT663	6x6x36	616983210352
RTT664	6x6x48	616983210369
RTT665	6x6x60	616983210376
RTT881	8x8x12	616983210321
RTT882	8x8x24	616983210338
RTT883	8x8x36	616983210345
RTT884	8x8x48	616983210352
RTT885	8x8x60	616983210369



- NEMA Type 3R
- UL 870 Type 3R
- CUL Type 3R (equivalent to CSA)





## Features

- Trough and cover are manufactured from 16 gauge G90 galvanized steel.
- All WPT boxes come without knockouts and are continuously welded and ground smooth.
- Available with or without paint and in stainless steel.
- Covers are neoprene gasketed and fastened with plated screws.
- ANSI 61 wrinkle gray polyester powder coat standard finish.
- Available Accessories: Flush cover, replacement cover, extra screws, ground screws, back plates.

## Application

- Designed to protect wiring in outdoor or indoor installations against rain, sleet, snow, or indoor moisture or hose directed water.

- NEMA Types 3/4/12/13
- UL 870 Types 3/4/12/13
- CUL Types 3/4/12/13



# Weatherproof Trough Wireway Outdoor Types 3/4/12/13

\*Stainless steel or aluminum available upon request

\*Additional sizes available upon request

Catalog Number	Dimensions H x W x D (Inches)	UPC Codes
WPT441	4x4x12	616983212936
WPT442	4x4x24	616983212943
WPT443	4x4x36	616983212950
WPT444	4x4x48	616983212967
WPT445	4x4x60	616983212974
WPT661	6x6x12	616983212981
WPT662	6x6x24	616983212998
WPT663	6x6x36	616983213001
WPT664	6x6x48	616983213018
WPT665	6x6x60	616983213025
WPT881	8x8x12	616983213032
WPT882	8x8x24	616983213049
WPT883	8x8x36	616983213056
WPT884	8x8x48	616983213063
WPT885	8x8x60	616983213070
WPT10101	10x10x12	705332310499
WPT10102	10x10x24	705332310505
WPT10103	10x10x36	616983212899
WPT10104	10x10x48	705332310512
WPT10105	10x10x60	616983212905
WPT12121	12x12x12	705332310529
WPT12122	12x12x24	705332310536
WPT12123	12x12x36	616983212912
WPT12124	12x12x48	705332310543
WPT12125	12x12x60	616983212929

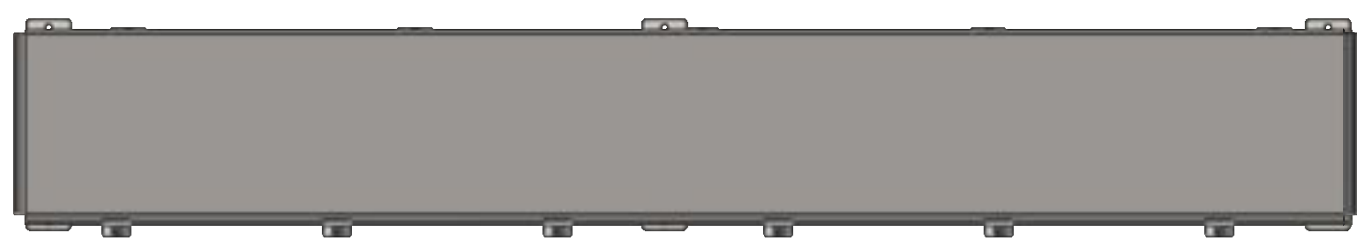


- NEMA Types 3/4/12/13
- UL 870 Types 3/4/12/13
- CUL Types 3/4/12/13



**NOTES:**

1. GALVANNEALED STEEL, ALUMINUM OR STAINLESS STEEL (CODE GA).
2. FINISH: ANSI 61 WRINKLE GREY POWDER COAT FOR STEEL ENCLOSURES, MILL BRUSHED FINISH FOR ALUMINUM AND STAINLESS ENCLOSURES.
3. CLOSED CELL FOAM GASKETED HINGE CLAMP FASTENED COVER.
4. STANDARD 0.75" LIP AROUND PERIMETER OF TROUGH OPENING.
5. STAINLESS STEEL SCREWS AT CLAMP POINTS AROUND THE BOX AND EVERY 10.00 WHERE SPACE ALLOWS.
6. NO KO'S ON WEATHERPROOF TROUGH.
7. OPTIONAL MOUNTING STUDS AND BACKPANELS AVAILABLE BY REQUEST.
8. FACTORY GROUND STUD AND COVER BONDING STUD STANDARD.
9. PADLOCKABLE BY REQUEST.



FRONT VIEW

10.00" MAX

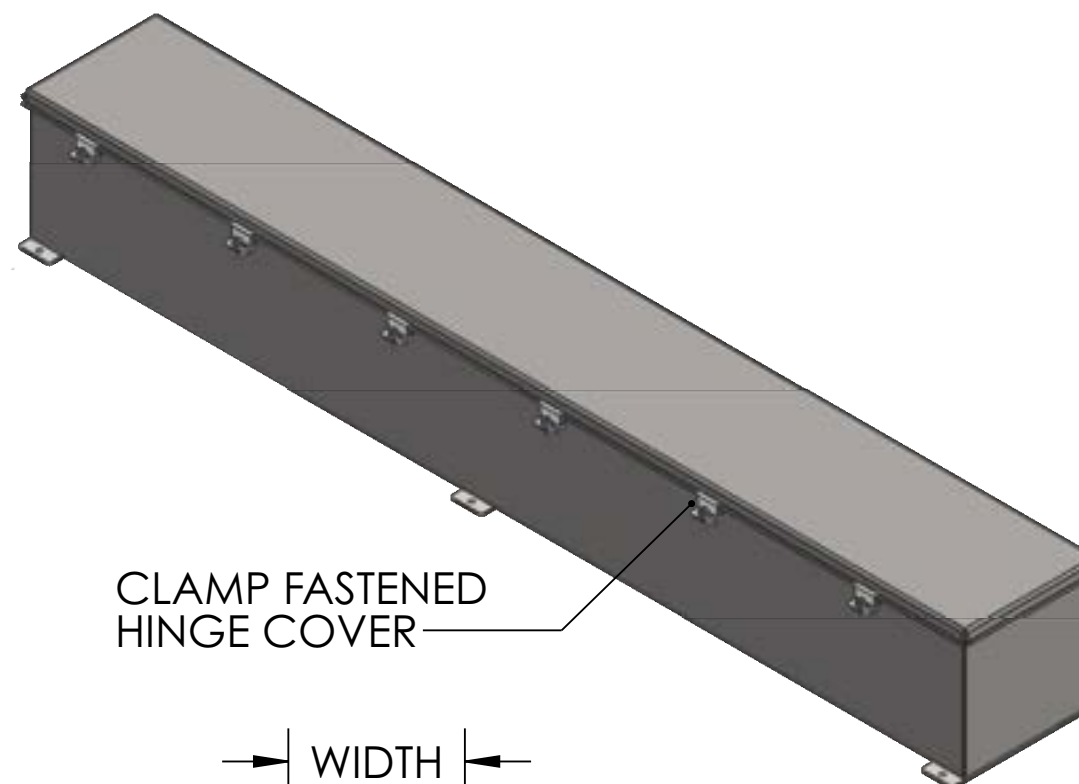


LENGTH

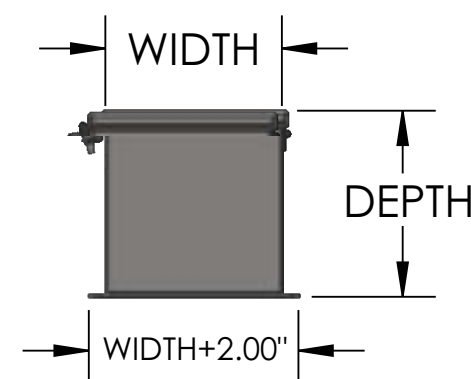
SIDE VIEW



BACK VIEW



CLAMP FASTENED HINGE COVER



END VIEW

EXTERNAL MOUNTING FEET 0.38" DIAMETER MOUNTING HOLES

E496751



WIREWAY, AUXILIARY GUTTERS & ASSOCIATED

NAV-TECH INC.  
HAUPPAUGE, NEW YORK

## Features

- Trough and cover are manufactured from 16 code GA stainless steel in accordance with UL standards.
- Stainless steel external screw clamps on three sides.
- Stainless steel continuous hinge.
- All seams continuously welded and ground smooth.
- Rolled lip around all sides of cover opening for watertight seal.
- Neoprene gasket attached to cover with oil resistant adhesive.
- Clamps on three sides of cover for watertight seal.
- Stainless steel external hardware.
- Hasp and staple provided for padlocking upon request.
- External mounting feet.
- Collar studs for mounting optional panel available upon request.
- Mill brushed finish is standard.

## Application

- Designed to protect wiring in outdoor installations against rain, sleet, or snow, or indoors against dripping water.
- Degree of protection against corrosion.
- Protection against hose directed water.

- NEMA Type 4X
- UL 50
- 50E Listed



2½ x 2½	
Description	Catalog No.
Length – 1'	T221
Length – 2'	T222
Length – 3'	T223
Length – 4'	T224
Length – 5'	T225
Connector	T2C
End Wall	T2E
Panel Adapter	T2PA
Elbow – 90	T290
Elbow – 45	T245
Tee	T2T
Cross	T2X

4 x 4	
Description	Catalog No.
Length – 1'	T441
Length – 2'	T442
Length – 3'	T443
Length – 4'	T444
Length – 5'	T445
Connector	T4C
End Wall	T4E
Panel Adapter	T4PA
Elbow – 90	T490
Elbow – 45	T445
Tee	T4T
Cross	T4X
Reducer 4 - 2	TR4

6 x 6	
Description	Catalog No.
Length – 1'	T661
Length – 2'	T662
Length – 3'	T663
Length – 4'	T664
Length – 5'	T665
Connector	T6C
End Wall	T6E
Panel Adapter	T6PA
Elbow – 90	T690
Elbow – 45	T645
Tee	T6T
Cross	T6X
Reducer 6 - 4	TR6

8 x 8	
Description	Catalog No.
Length – 1'	T881
Length – 2'	T882
Length – 3'	T883
Length – 4'	T884
Length – 5'	T885
Connector	T8C
End Wall	T8E
Panel Adapter	T8PA
Elbow – 90	T890
Elbow – 45	T845
Tee	T8T
Cross	T8X
Reducer 8 - 6	TR8

10 x 10	
Description	Catalog No.
Length – 1'	T10101
Length – 2'	T10102
Length – 3'	T10103
Length – 4'	T10104
Length – 5'	T10105
Connector	T10C
End Wall	T10E
Panel Adapter	T10PA
Elbow – 90	T1090
Elbow – 45	T1045
Tee	T10T
Cross	T10X
Reducer 10 - 8	TR10

12 x 12	
Description	Catalog No.
Length – 1'	T12121
Length – 2'	T12122
Length – 3'	T12123
Length – 4'	T12124
Length – 5'	T12125
Connector	T12C
End Wall	T12E
Panel Adapter	T12PA
Elbow – 90	T1290
Elbow – 45	T1245
Tee	T12T
Cross	T12X
Reducer 12 - 10	TR12

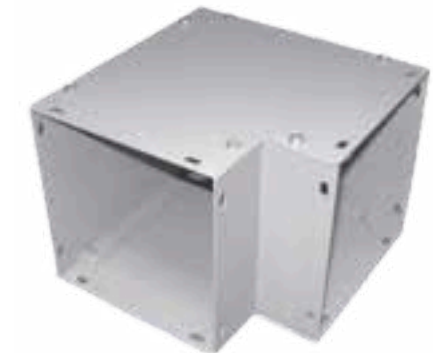
45° Elbow



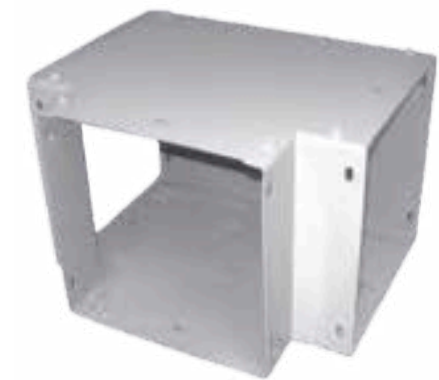
End Wall



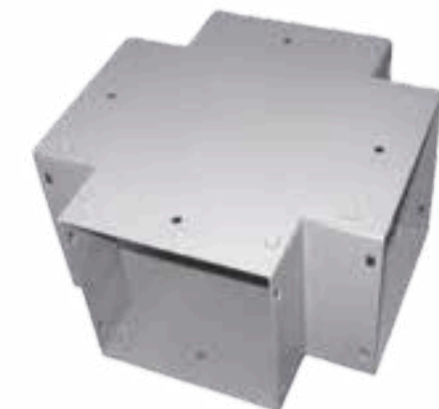
90° Elbow



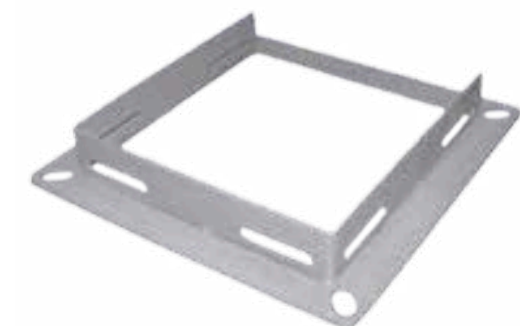
Tee Fitting



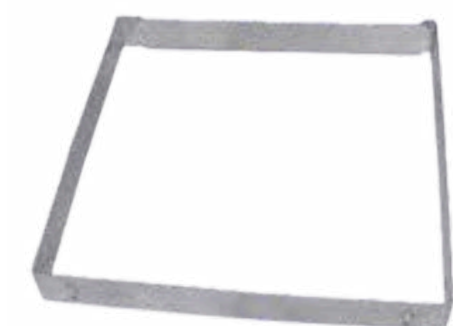
Cross Fitting



Panel Adapter



Coupling



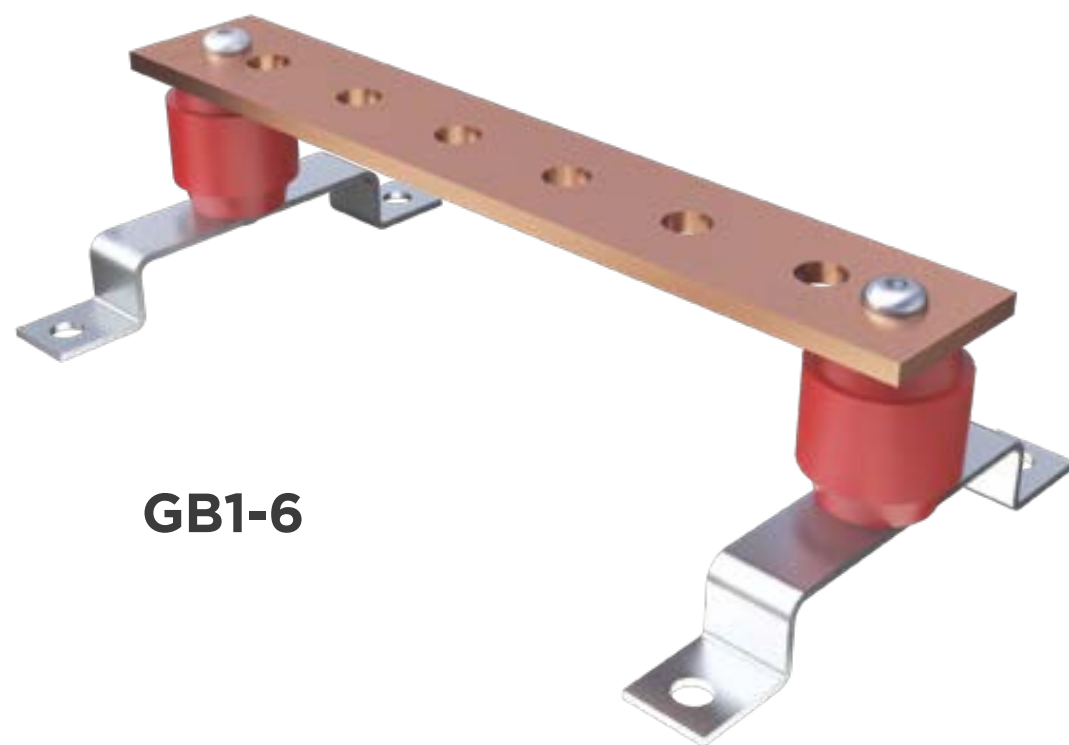
\*XX Would be substituted for the amperage of the box. (I.E. 2000A w “20” instead of “XX”)

**Description:**

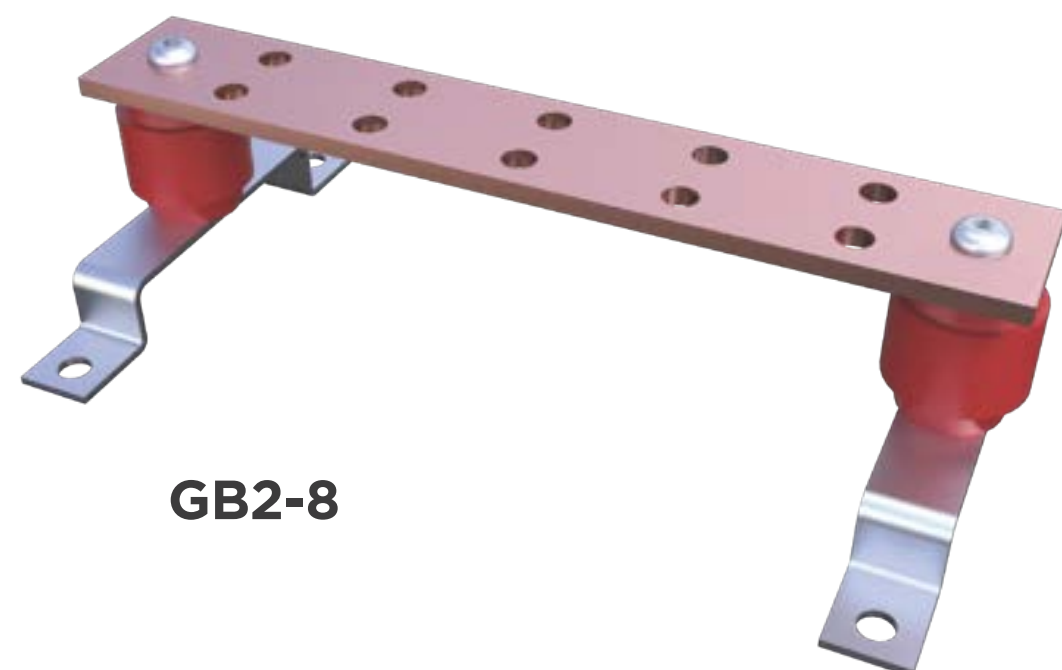
UL Listed bus or ground bars are available in a wide variety of configurations: Hole and slot patterns, unplated copper, tin plated or stainless steel. These bars are available with or without brackets and insulators. Plexiglass cover is also available. For special applications necessitating a non-standard configuration, please contact Customer Service or your local sales representative.

**Contents:**

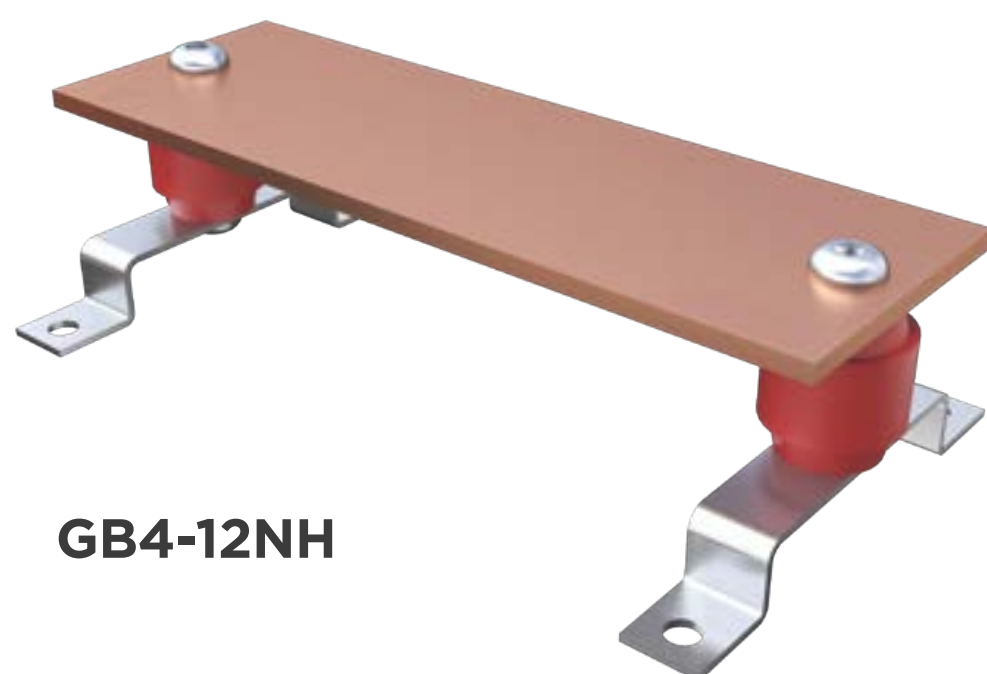
Stock Patterns  
Custom Patterns  
Room Patterns  
Ampacity Calculation



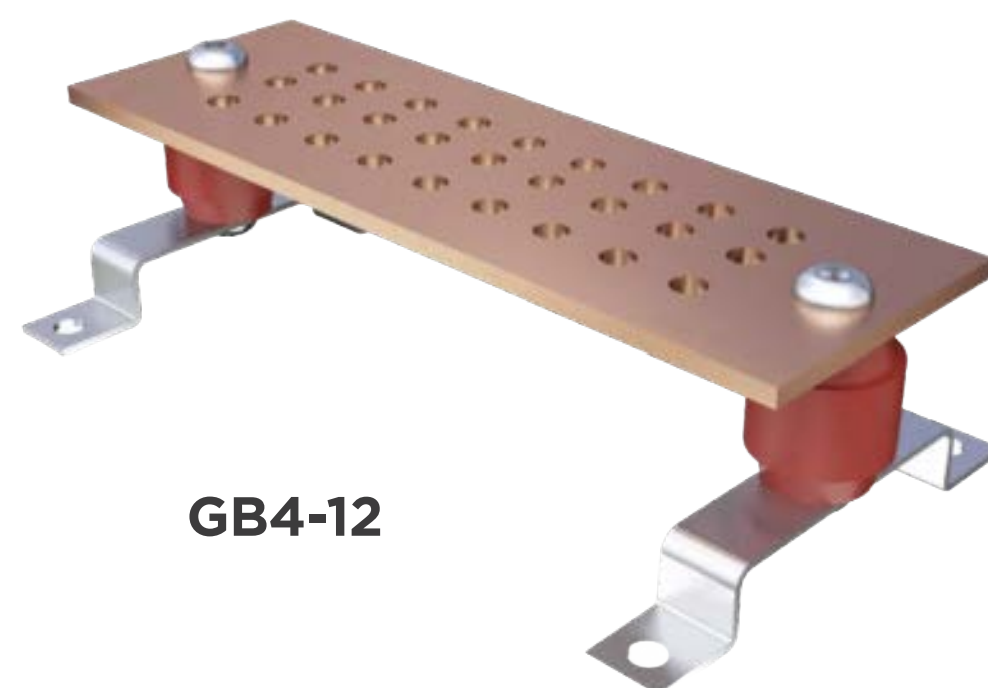
GB1-6



GB2-8



GB4-12NH

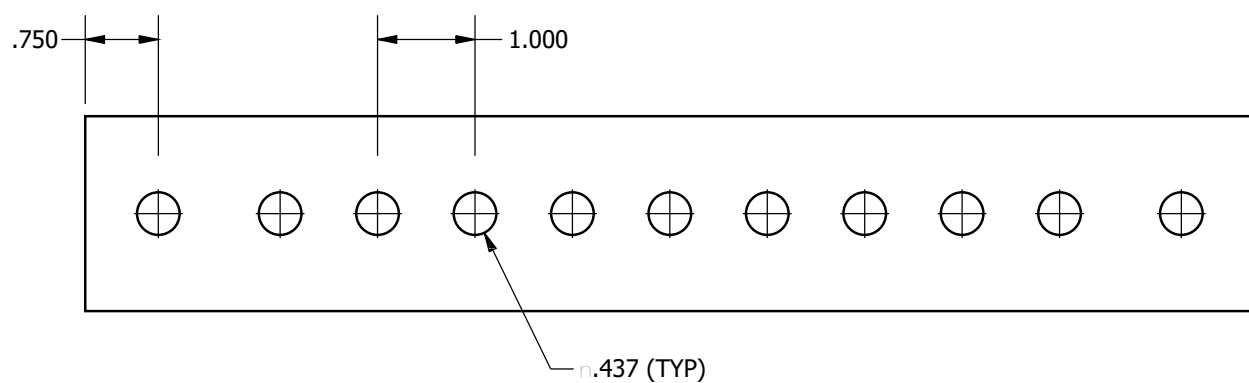


GB4-12

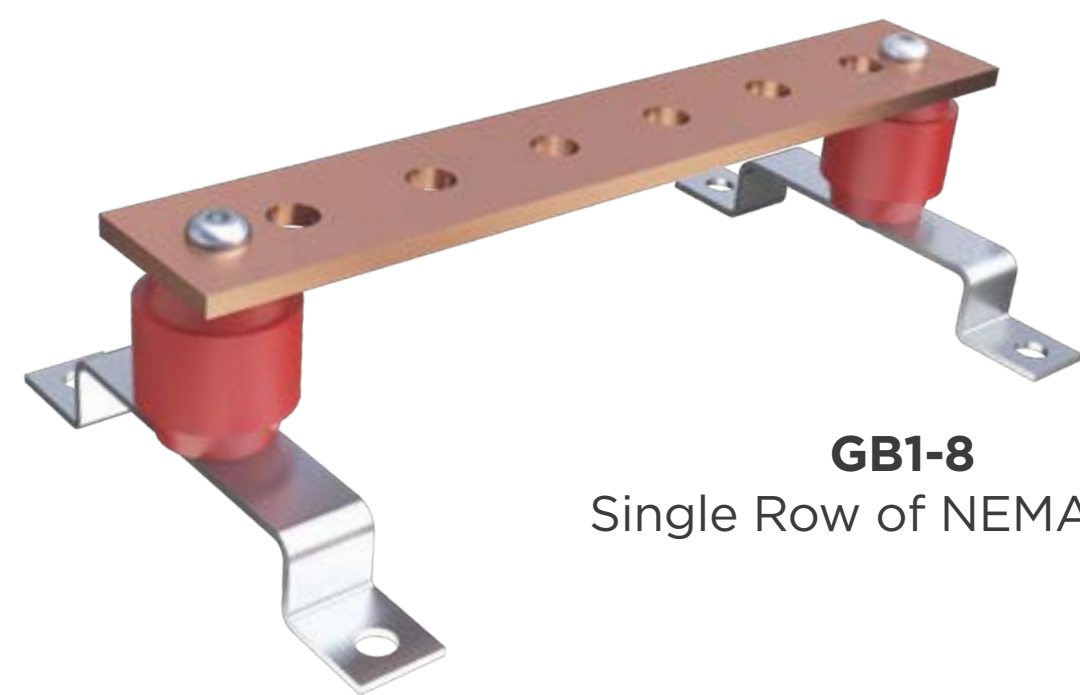


## Nav-Tech Stock Hole Pattern Bus or Ground Bus

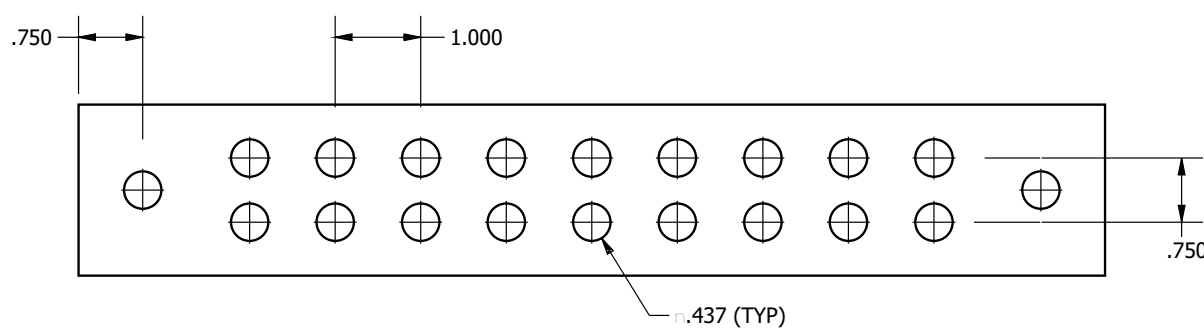
- Industry standard hole pattern in accordance with NEMA CC1 Standard. Add suffix "PL" for insulators and plexiglass cover. Can be used with Nav-Tech Lugs with NEMA pads.



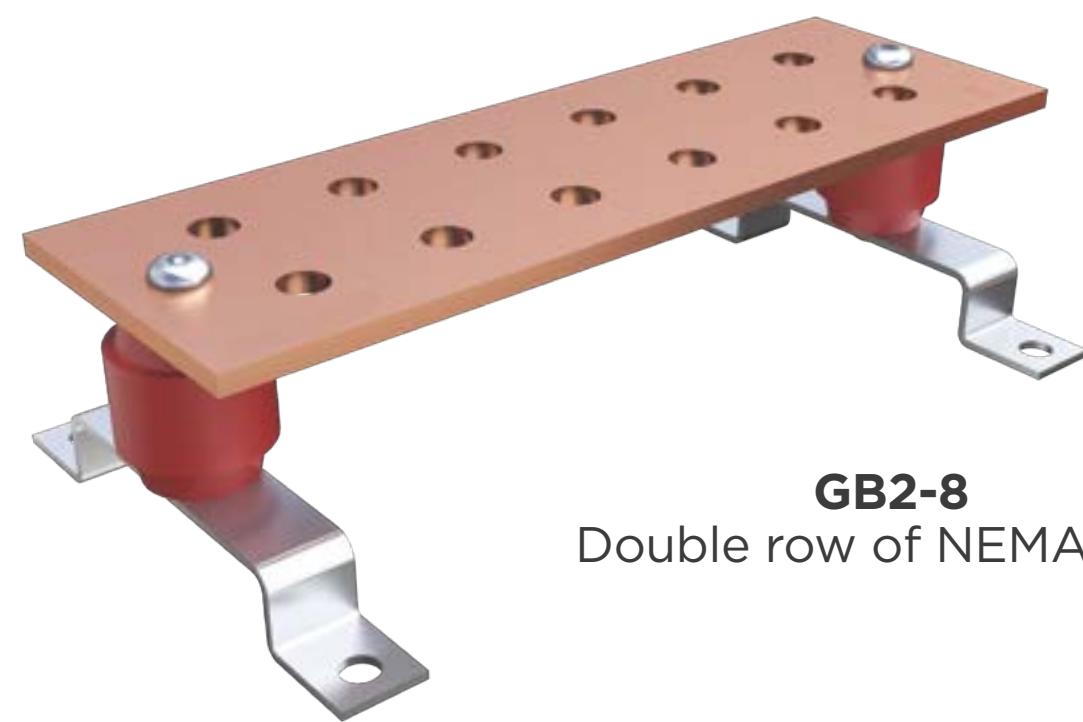
**Pattern H**  
Single Row of NEMA Holes



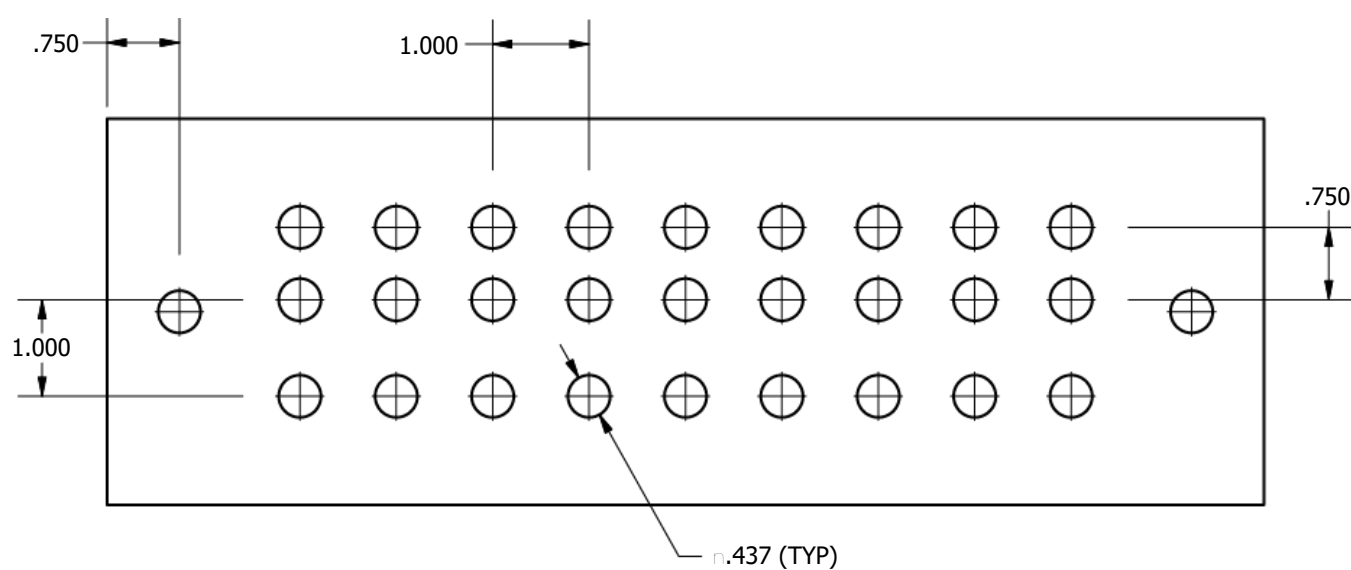
**GB1-8**  
Single Row of NEMA Holes



**Pattern Z**  
Double row of NEMA holes



**GB2-8**  
Double row of NEMA holes



**Pattern J**  
Tripe Row of NEMA Holes

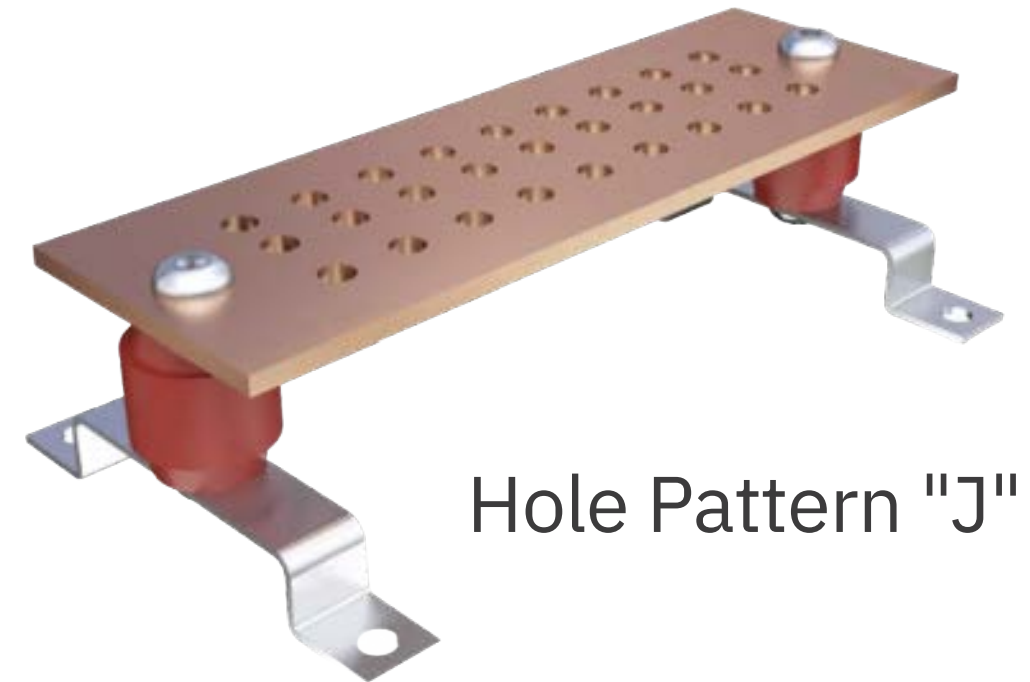


**GB4-12**  
Triple Row of NEMA Holes



## Features

- Mounting holes not included in total.
- Accommodates 2-hole lugs spaced 3/4", 1", and 1-3/4" on center.
- Bars available tin plated; with tamper proof bolts, plexiglass cover.
- Other sizes available, contact sales for details.

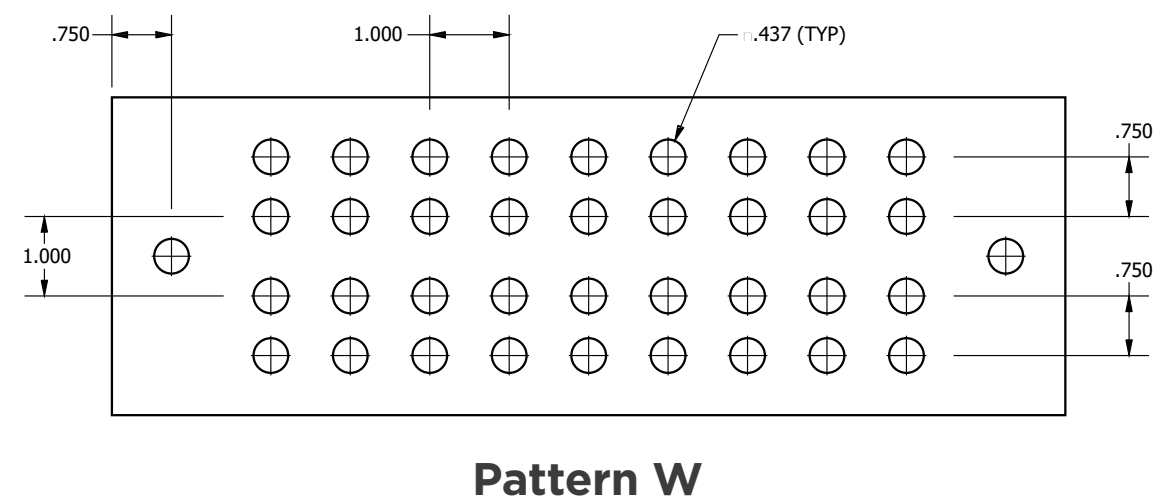
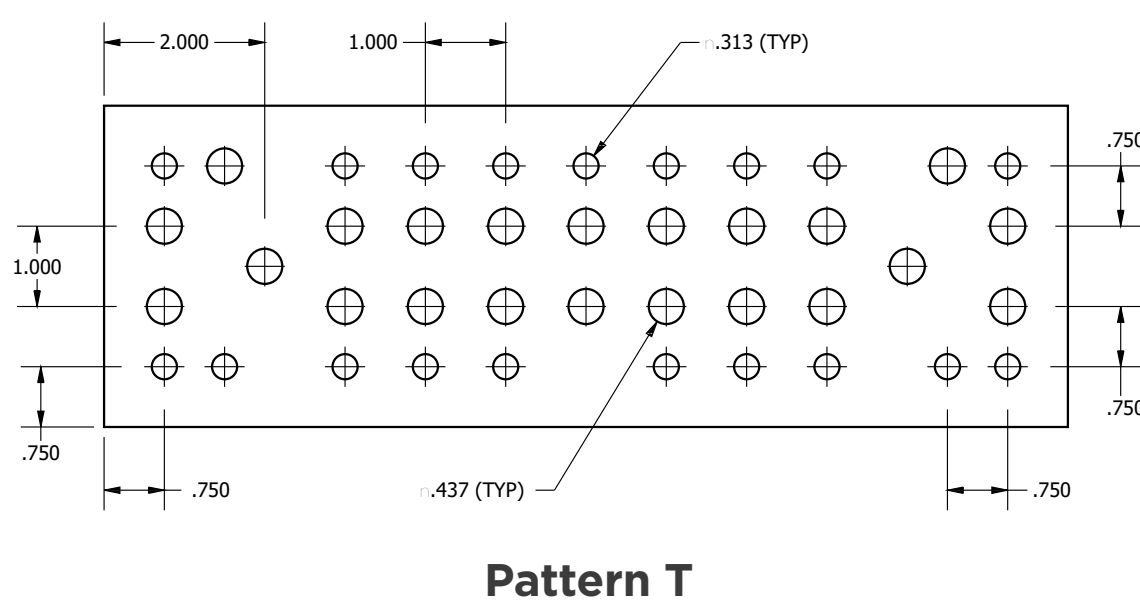
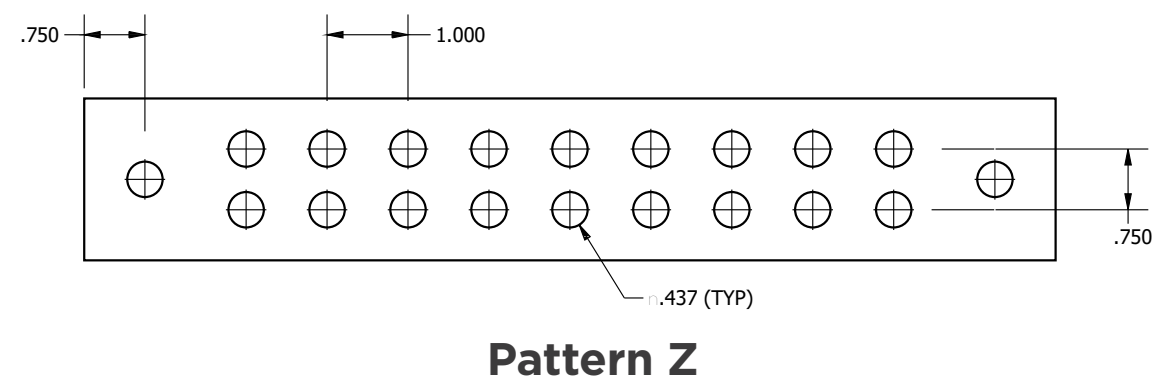
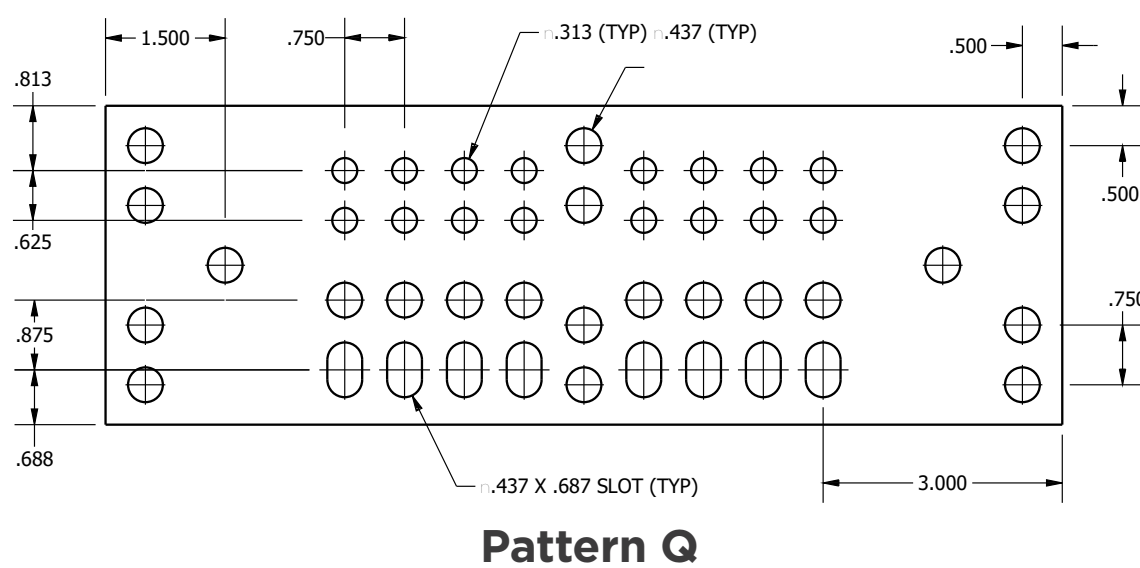
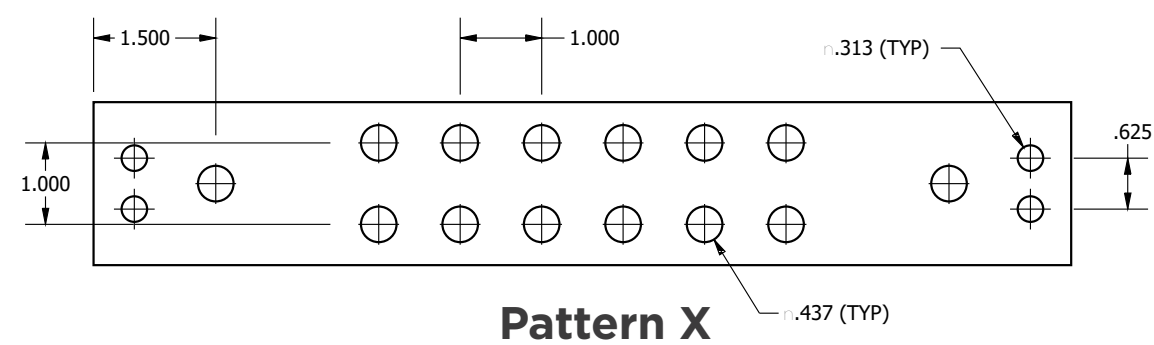
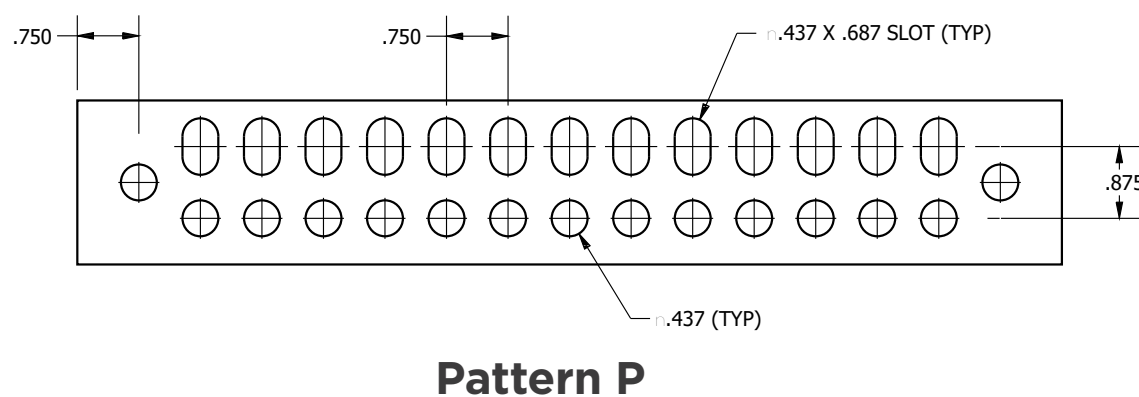
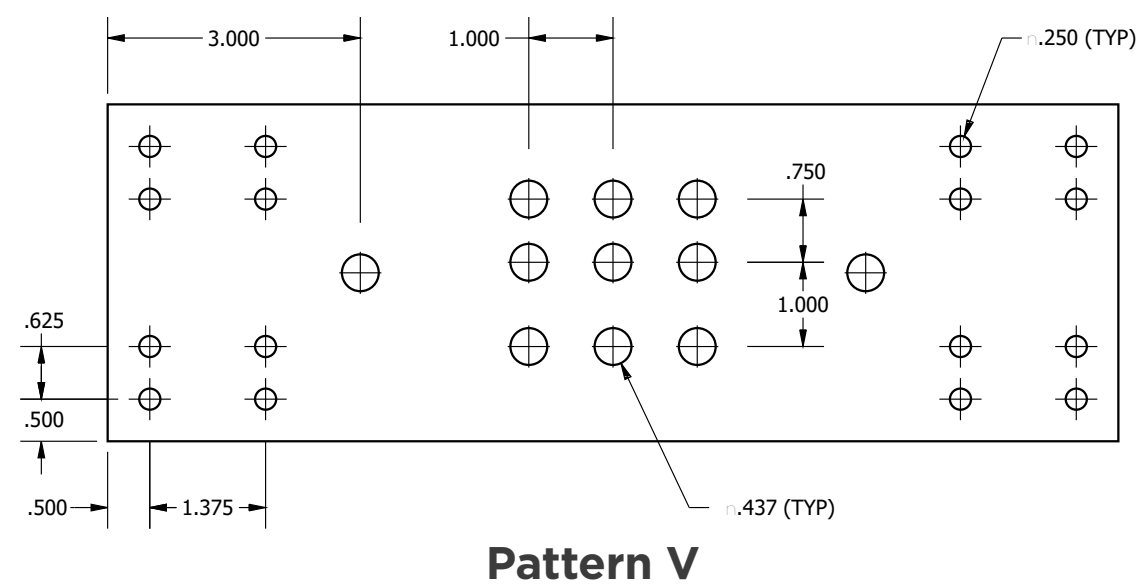
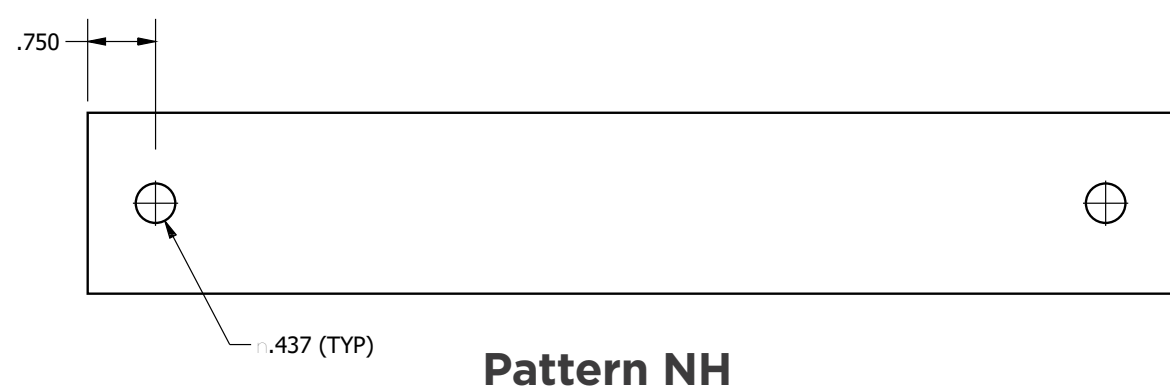
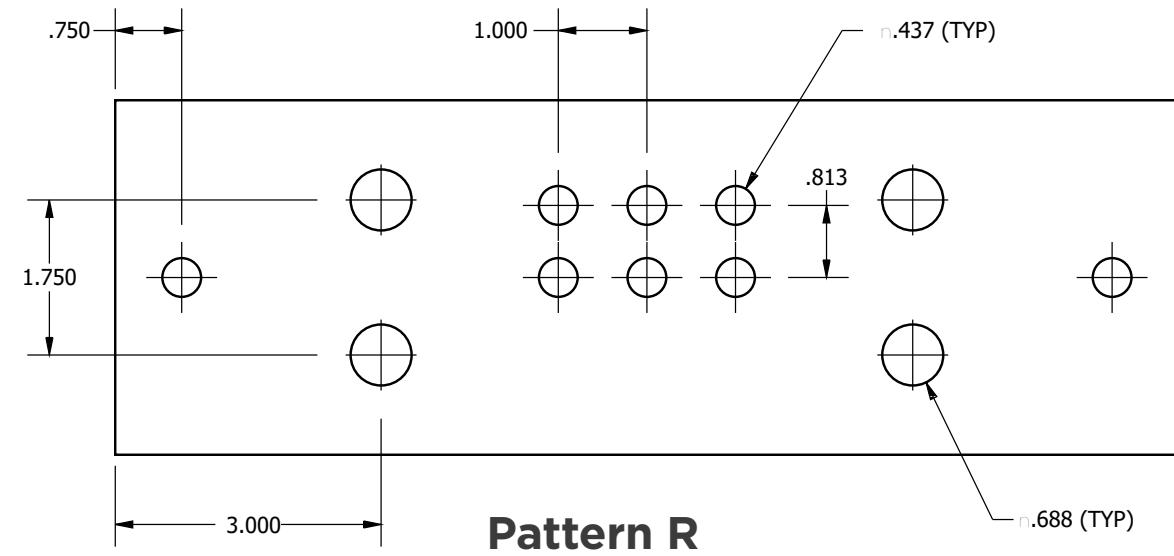
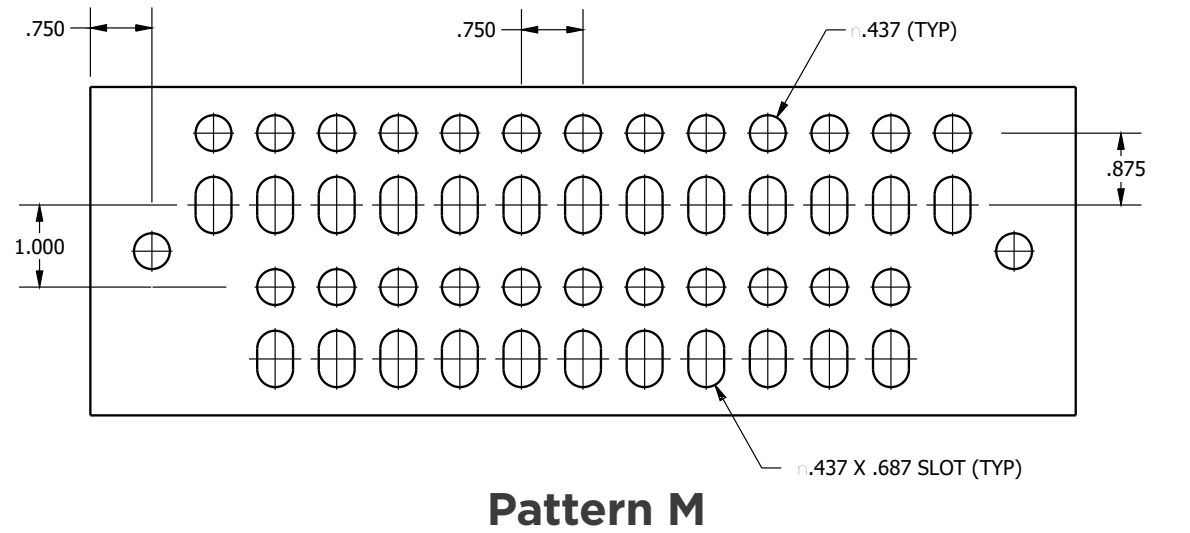


Hole Pattern "J"

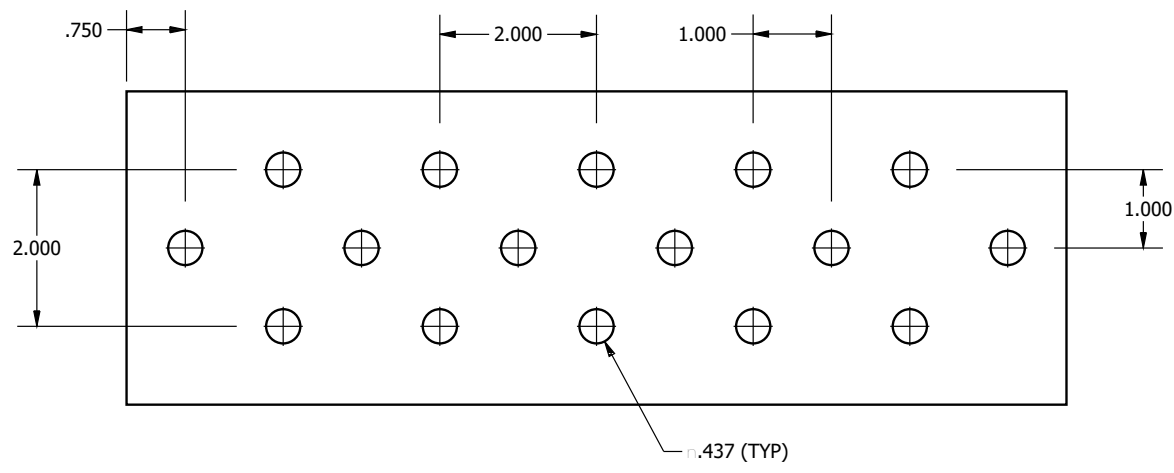
Pattern H				
Catalog Number	Description	Tinned	Bar Size	# of Holes
GB1-6	Bar with Insulators and Brackets	No	1" x 6" x 1/4"	5
GB1-12			1" x 12" x 1/4"	9

Pattern Z				
Catalog Number	Description	Tinned	Bar Size	# of Holes
GB2-8	Bar with Insulators and Brackets	No	2" x 8" x 1/4"	12
GB2-12			2" x 12" x 1/4"	20
GB2-18			2" x 18" x 1/4"	20
GB2-24			2" x 24" x 1/4"	14

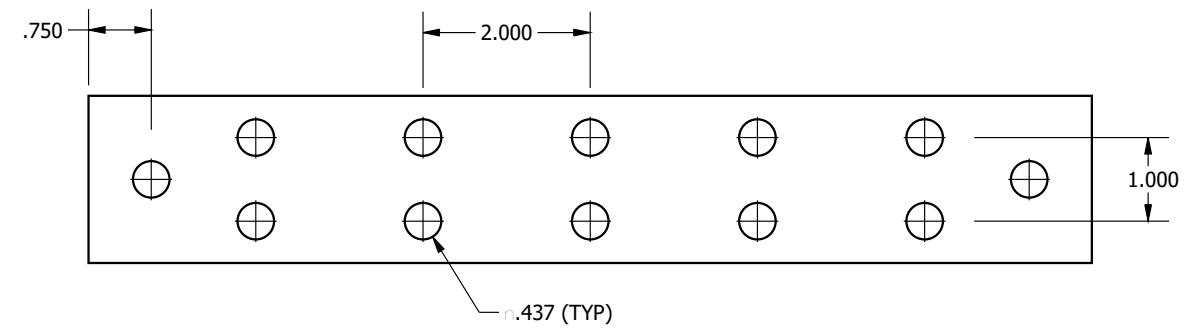
Pattern J				
Catalog Number	Description	Tinned	Bar Size	# of Holes
GB4-6	Bar with Insulators and Brackets	No	4" x 6" x 1/4"	11
GB4-12			4" x 12" x 1/4"	29
GB4-18			4" x 18" x 1/4"	20
GB4-20			4" x 20" x 1/4"	20
GB4-36			4" x 36" x 1/4"	20



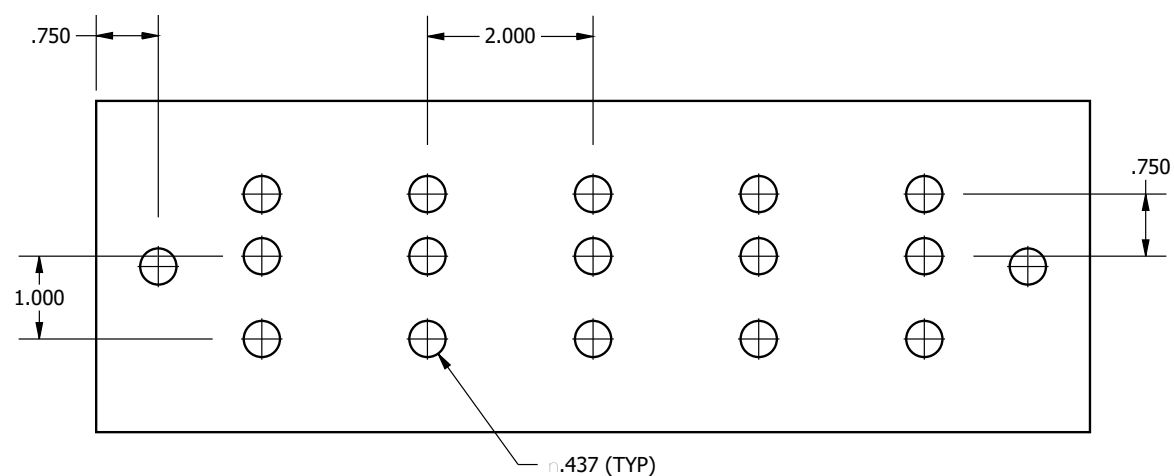
\*For telecom ground bars -  
See Pattern S on pages 7 & 8



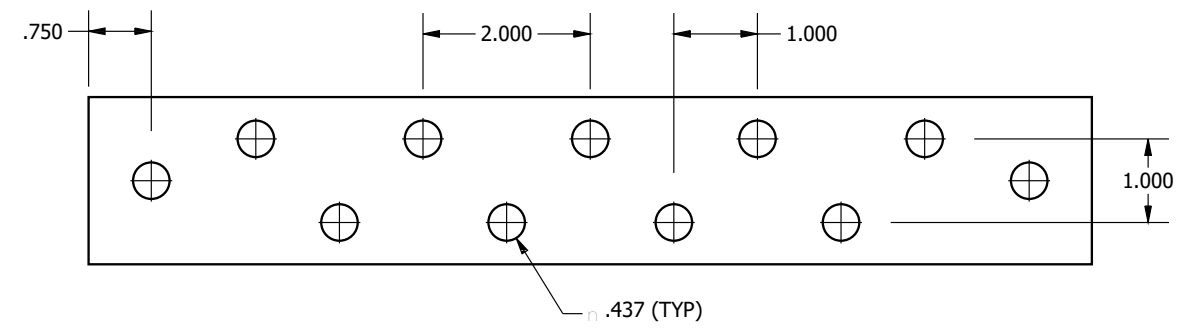
**Pattern A**



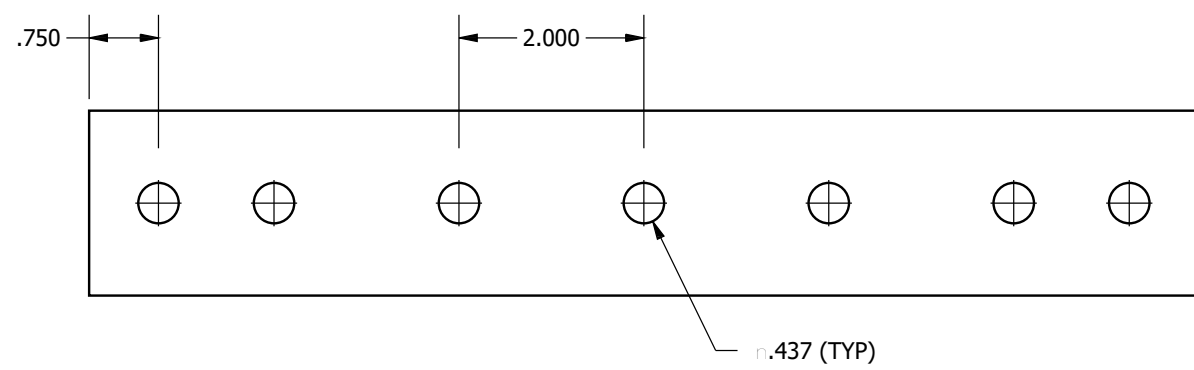
**Pattern B**



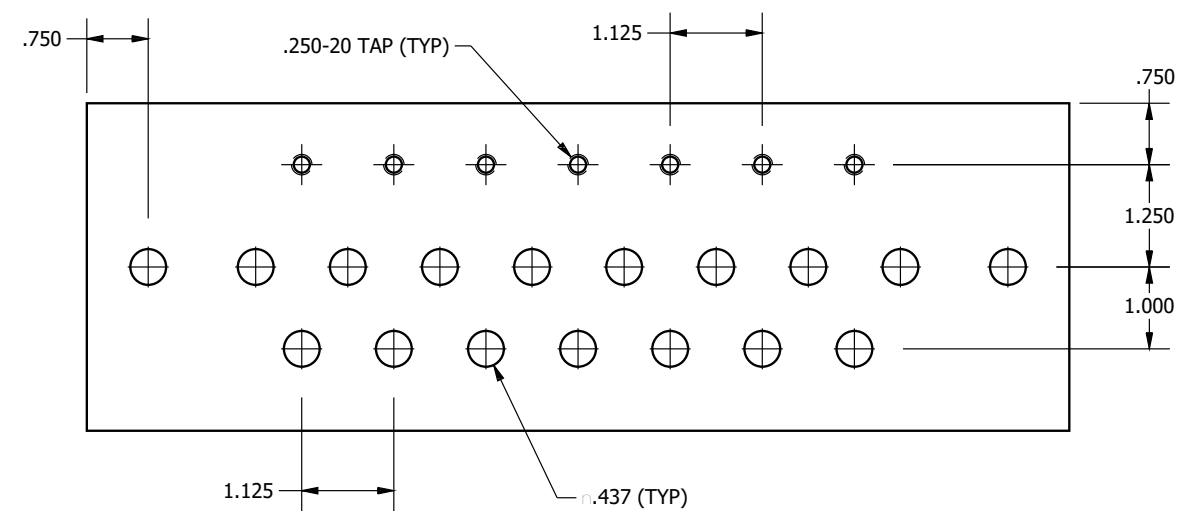
**Pattern C**



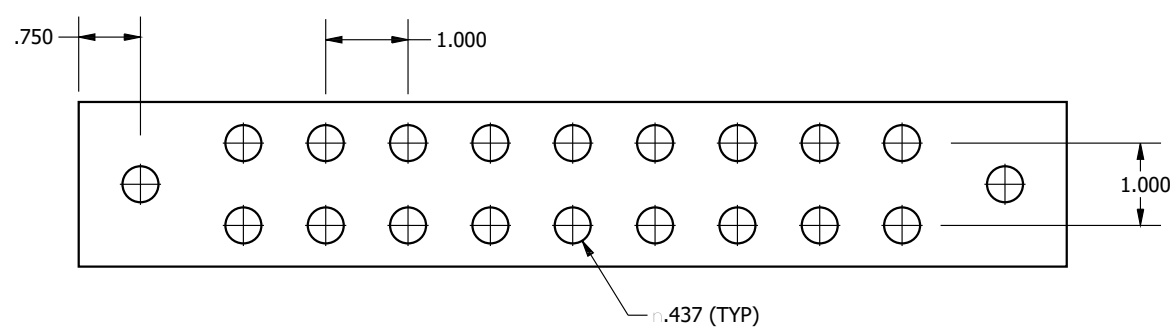
**Pattern D**



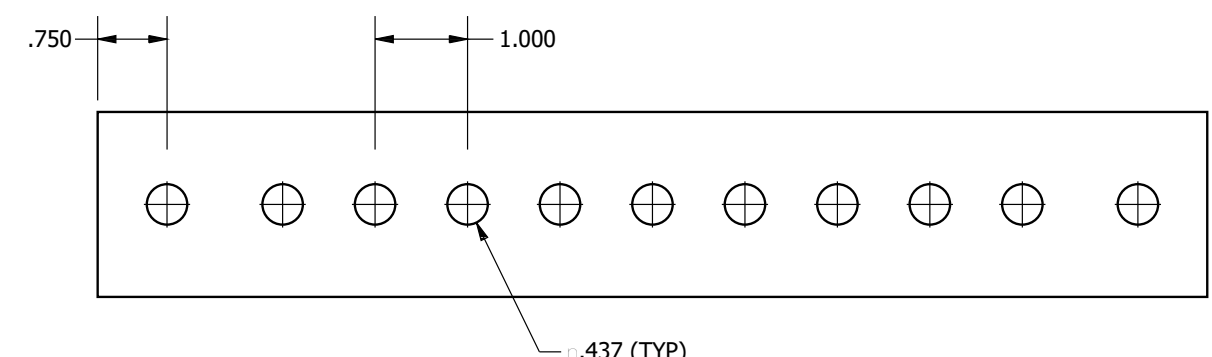
**Pattern E**



**Pattern F**

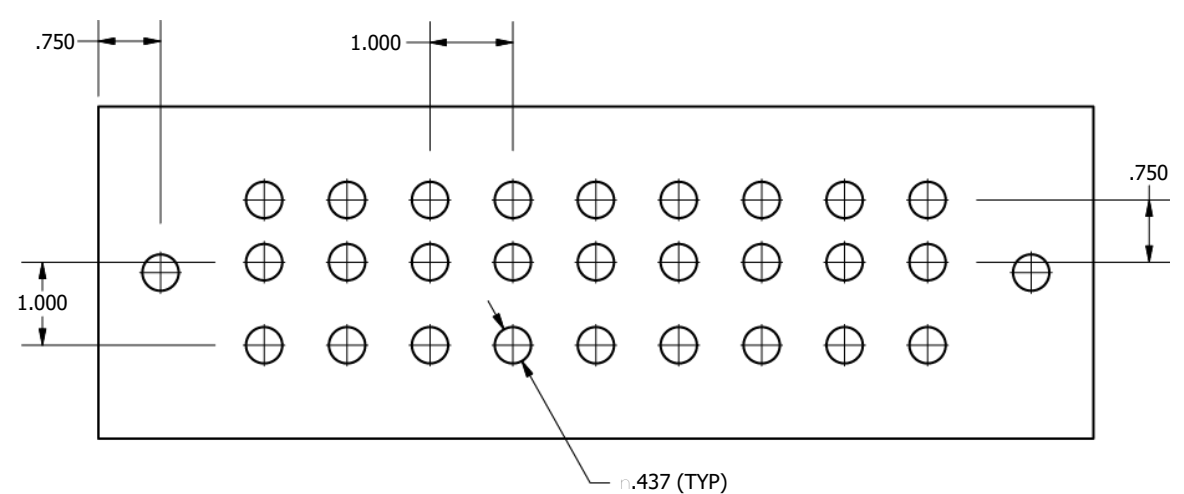


**Pattern G**



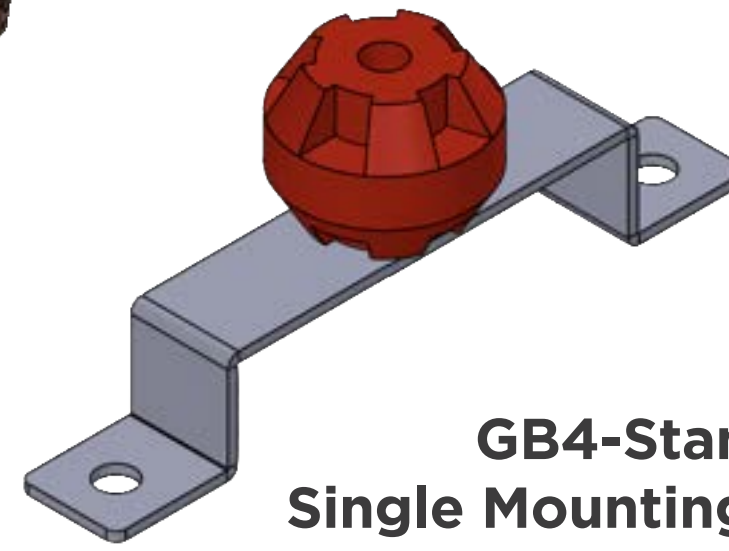
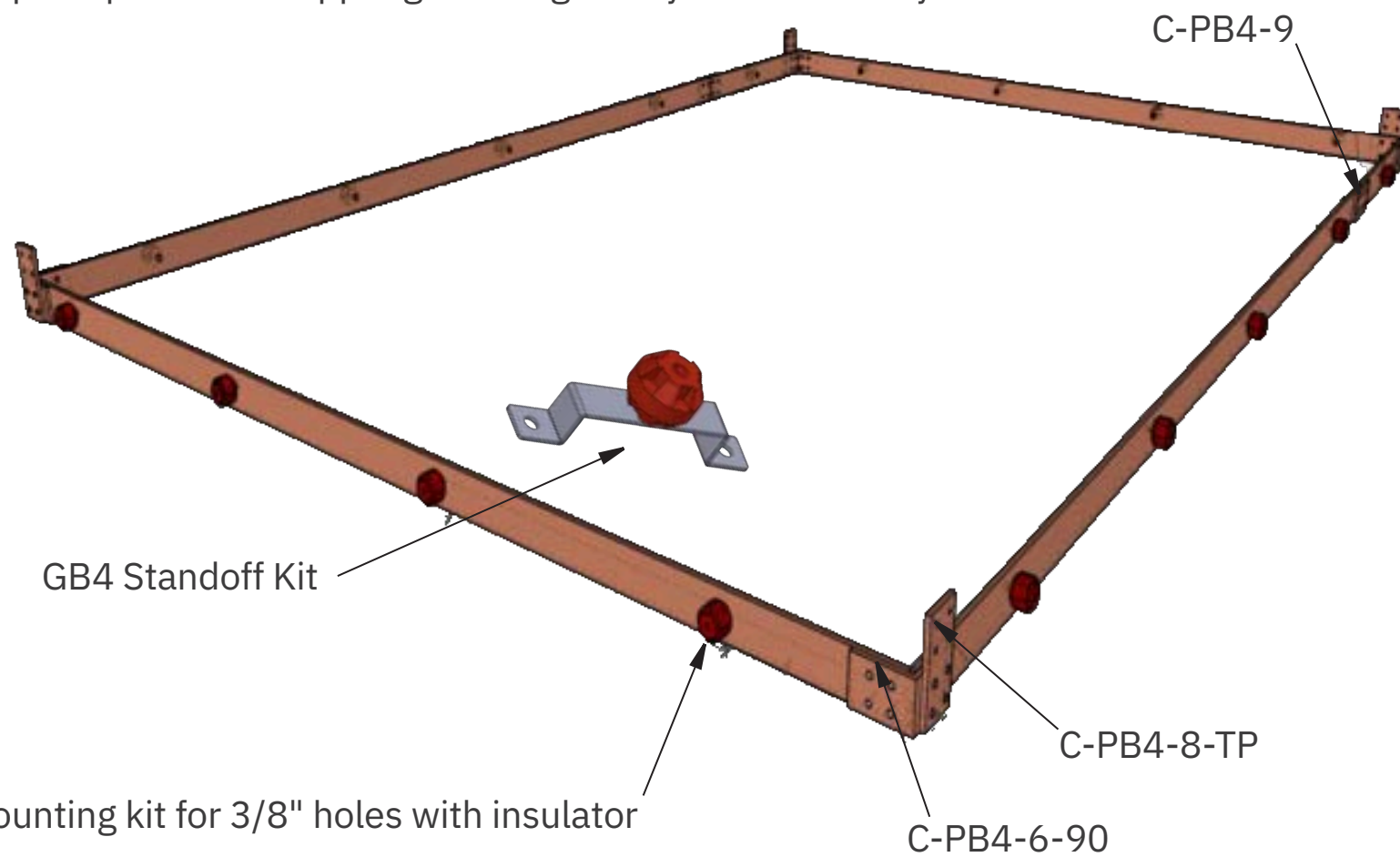
**Pattern H**

- All holes are 7/16" unless specified differently. To order threaded holes, specify hole size; the standard tapped hole size is 1/4"-20 unless specified otherwise.
- Above bar patterns represent a 12" ground bar.
- All bars are available with tin plating.
- For NEMA hole pattern ground bars see page 9.



**Pattern J**

Typical complete perimeter copper grounding bus system assembly



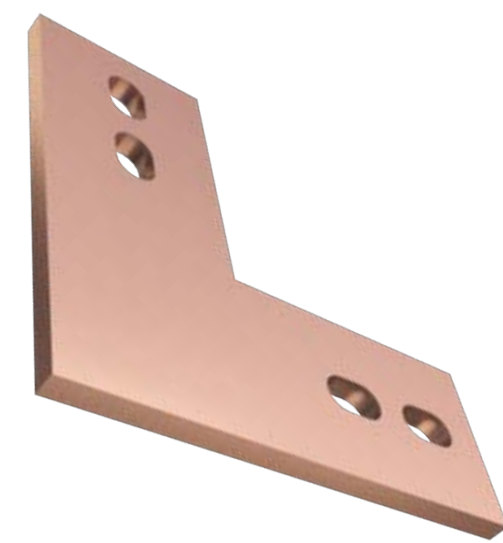
**GB4-Standoff Kit  
Single Mounting Assembly Set**  
(1 insulator, bracket and hardware necessary for a single set) Sold separately

## Description (No Hole Patterns)

- A perimeter busbar system is designed to terminate ground wires and cables from equipment and other devices within a structure. The system encompasses straight bars, elbows, splicers, insulators and mounting brackets. This versatile system is great for clean rooms, data centers and laboratories when designing around corners and doors.

### Perimeter Busbar Splices

Catalog Number	Description
C-PB2-6	2" Single axis splice plate
C-PB4-9	4" Single axis splice plate
C-PB2-4-90	2" 90° Horizontal splice plate
C-PB2-6-90	4" 90° Horizontal splice plate
C-PB2-5-L	2" 90° Vertical splice plate
C-PB4-8-TP	4" 90° Vertical splice plate

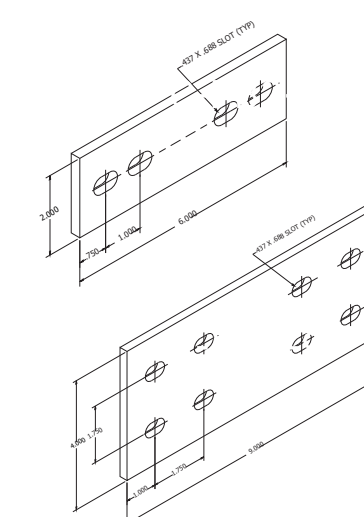
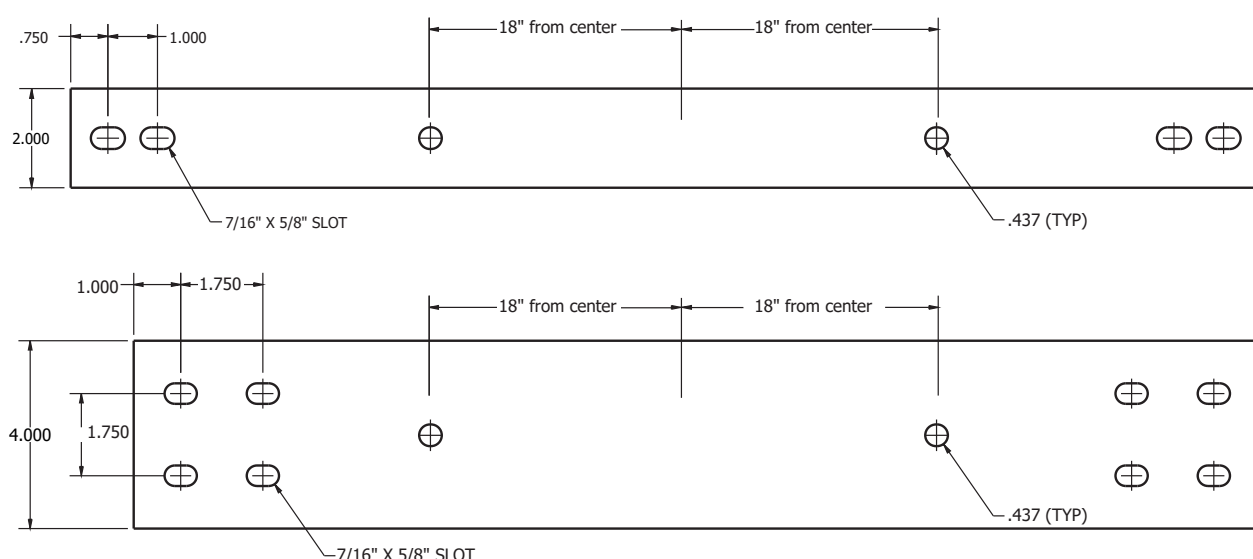


**Flat 90 Degree  
Splice Plate (2")**

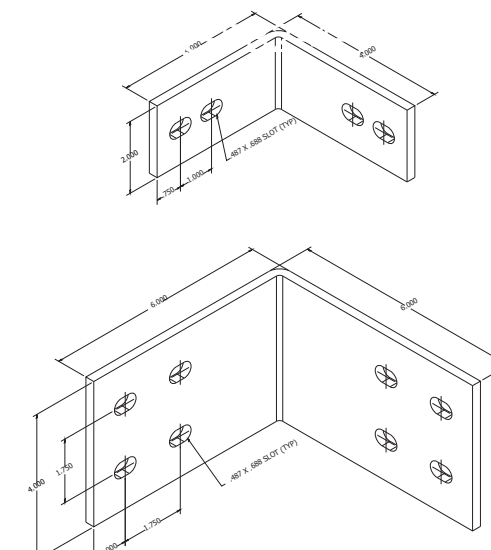
### Perimeter Busbar Main Leaves

Catalog Number	Description
C-PB2-XX	2" Perimeter bar leaf
C-PB4-XX	4" Perimeter bar leaf

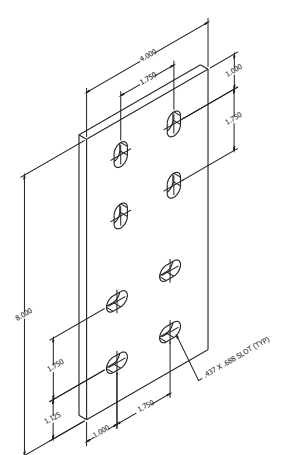
\*No hole pattern except mounting holes.  
Can be made to any length.



**Single Axis  
Splice Plates**



**90 Degree  
Splice Plates**



**Flat 90 Degree  
Splice Plates  
(4"-6")**

Calculating the ampacity of a busbar is very complex as it is dependent on several variables. Some of these variables include, but are not limited to, size and shape of bar, bar orientation, bar material, and other various operating environmental conditions such as ambient temperature, allowed operating temperature, and air flow (enclosure vs open free air or forced air convection), and AC vs. DC current.

Published data from the Copper Development Association is an excellent starting point for a quick reference table of standard bar sizes vs. common allowed temperature rises, as seen in industry. The table provides ampacities at three different temperature rises, 30°C, 50°C, and 65°C. The values shown in the table are based “on samples exposed for 60 days in an industrial environment”. Some of the variables were fixed, such as 40°C ambient temperature, horizontal on edge orientation, AC current, and a bar emissivity of 0.4. To use the table, first determine your bar width as well as the allowed temperature rise. Then, look for the intersection of these two points on the table to determine the ampacity for that bar size under the specific operation conditions.

Bar Dimensions (Thickness x Width)	Example Catalog	30°C Rise (70° Operating Temp.)	50°C Rise (70° Operating Temp.)	50°C Rise (70° Operating Temp.)
1/4 x 1	CB14112	400	530	620
1/4 x 1.5	CB141.512	560	740	860
1/4 x 2	CB14212	710	940	1100
1/4 x 3	CB14312	990	1150	1550
1/4 x 4	CB14412	1250	1700	1950
1/4 x 6	CB14612	1750	2350	2700

On the following page, you will find the set of equations, derivations, and variables (based on the governing equation in the above data sheet) you can use to calculate the ampacity of the busbar. Simply determine your operating conditions and assumptions and modify the necessary variables. The following sample equation is for a 1/4" thick, 4" wide and 12" long bar, oriented horizontally on edge, with a 40°C ambient temperature, 30°C temperature rise, DC current, and assumed variable values.

\*Calculated values might differ slightly from the values shown in the Copper Development Association table, as variables and assumptions might be different and calculated values are theoretical, where values in the Copper Development Association table are experimental, based on actual samples.

For a more complete list of ampacities based on bar size and temperature rises, please visit the Copper Development Association: [https://www.copper.org/applications/electrical/busbar/bus\\_table1.html](https://www.copper.org/applications/electrical/busbar/bus_table1.html)

## Calculating thermal energy produced and thermal energy dissipated

- $E_{in} = I^2 \times R$

$I$  = current

$R$  = resistance =  $\frac{\rho L}{A_c}$

$\rho$  = resistivity of the conductor

$L$  = length of conductor

$A_c$  = cross sectional area of the conductor

- $E_{out} = Q_{conv} + Q_{rad}$

$Q_{conv}$  = heat dissipated due to convection

$Q_{rad}$  = heat dissipated due to radiation

## Calculating heat dissipation via convection

- $Q_{conv} = [h_v * A_v * (T_c - T_a)] + [h_{ht} * A_{ht} * (T_c - T_a)] + [h_{hb} * A_{hb} * (T_c - T_a)]$

$h_v$  = vertical convection coefficient of free air  $\frac{W}{m^2K}$

$h_{ht}$  = horizontal convection coefficient of top surface of free air  $\frac{W}{m^2K}$

$h_{hb}$  = horizontal convection coefficient of bottom surface of free air  $\frac{W}{m^2K}$

$A_v$  = vertical surface of conductor ( $m^2$ )

$A_{ht}$  = top horizontal surface area of conductor ( $m^2$ )

$A_{hb}$  = bottom horizontal surface area of conductor ( $m^2$ )

$T_a$  = ambient temperature (K)

$T_c$  = conductor operating temperature (K)

## Calculating heat dissipation via radiation

- $Q_{rad} = \sigma \times e (T_c^4 - T_a^4) \times A$

$\sigma$  = Stefan – Boltzmann Constant =  $5.6073 \times 10^{-8} \left(\frac{W}{m^2K}\right)$

$e$  = emissivity (material property)

$T_c$  = conductor operating temperature (K)

$T_a$  = ambient temperature (K)

$A$  = surface area of conductor ( $m^2$ )

## Calculating ampacity

- $E_{in} = E_{out}$

- $I^2 \times R = Q_{rad} + Q_{conv}$   
 $I^2 = \frac{Q_{rad} + Q_{conv}}{R}$

- $I = \sqrt{\frac{\sigma \times e (T_c - T_a) \times A + [h_v * A_v * (T_c - T_a)] + [h_{ht} * A_{ht} * (T_c - T_a)] + [h_{hb} * A_{hb} * (T_c - T_a)]}{\frac{\rho L}{A_c}}}$

Where:

$\sigma$  = Stefan – Boltzmann Constant =  $5.6073 \times 10^{-8}$

$\rho$  = resistivity (70°C operating temp.) =  $2.0524 \times 10^{-8}$  ohm (m)

$L$  = length of conductor = 0.3048 m

$A_c$  = cross section area of the conductor = 0.00064516  $m^2$

$H_v$  = vertical convection coefficient of conductor = 5.5262

$H_{ht}$  = horizontal convection coefficient of top surface of free air = 0

$H_{bt}$  = horizontal convection coefficient of bottom surface of free air = 0

$A_v$  = vertical surface area = 0.063266  $m^2$

$A_{ht}$  = horizontal surface area of top surface of conductor = 0.001935  $m^2$

$A_{bt}$  = horizontal surface area of bottom surface of conductor = 0.001935  $m^2$

$T_{amb}$  = ambient temperature = 313.15 (K)

$T_{cond}$  = conductor temperature = 343.15 (K)

$e$  = emissivity = 0.4

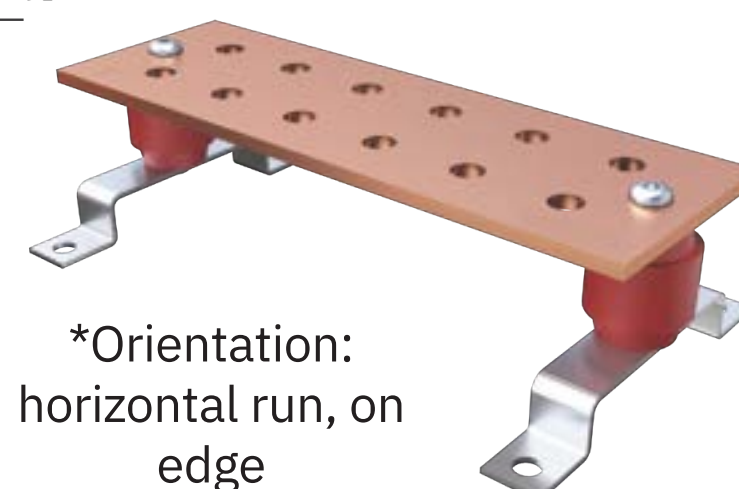
$A$  = surface area of conductor = 0.067097  $m^2$

**\*For this example bar size and application,  $H_{ht}$  and  $H_{hb}$  are both 0 due to small surface area.**

$$I = \sqrt{\frac{(5.6703 \times 10^{-8} \times 0.4 (343.15^4 - 313.15^4) \times 0.0670966) + [5.5262 * 0.063226 * (30)] + [0 * 0.001935 * (30)] + [0 * 0.001935 * (30)]}{\frac{(2.0524 \times 10^{-8}) \times 0.3048}{0.00064516}}}$$

$$I = \sqrt{\frac{[6.4666] + [10.4820]}{9.6966 \times 10^{-6}}}$$

$I = 1,322.08$



\*Orientation:  
horizontal run, on edge

**Description:**

Nav-Tech trough wireways provide an efficient solution for routing and protecting electrical conductors in both indoor and outdoor applications. Available in multiple NEMA ratings and configurations, these wireways combine rugged construction, flexible design options, and compliance with UL and NEMA standards to support a wide range of installation needs.

**Contents:**

Ring Type 5 Jaw Meter Sockets  
Lever Bypass Self Contained Meter Sockets  
Pre-Wired 30 Amp Meter Sockets



## Features

- 100 amp continuous demand rating.
- Approved for overhead/underground cable entry.
- UL Approved outdoor enclosure construction (NEMA 3R).
- Horn bypass available as an additional kit item.
- Con Edison approved.



# 125 Amp Ring Type 5 Jaw Meter Sockets



Specifications	
Phase	1
Frequency	60Hz
Voltage Rating	MAX 100 cont.
Amperage Rating	100A
Construction Type	NEMA 3R
Size	12-1/8" x 8-5/8" x 4-1/2"
Cable Entry	Overhead or Underground
Terminal Type	Lug Type
Insulation Block	Polymer Based
Enclosure Material	ANSI-61 Powder Coated G90 16 GA Galvanized Steel
Jaw Type	5 Jaw
Bypass	No Bypass
Meter Type	Ring Type
Mounting Style	Surface Mount
Wire Range	14 - 210AWG

## Features

- 100 amp continuous demand rating.
- Approved for overhead/underground cable entry.
- UL Approved outdoor enclosure construction (NEMA 3R).
- Horn bypass available as an additional kit item.
- Con Edison approved.



# 320 Amp Lever Bypass Self Contained Meter Sockets



Specifications	
Phase	1, 3
Frequency	60Hz
Voltage Rating	600VAC
Amperage Rating	320A
Construction Type	NEMA 3R
Size	34" x 15" x 5"
Cable Entry	Overhead or Underground
Terminal Type	Lug Type
Insulation Block	Polymer Based
Enclosure Material	ANSI-61 Powder Coated G90 16 GA Galvanized Steel
Jaw Type	4, 5, 7 Jaw
Bypass	Lever Bypass
Meter Type	Ring or Ringless Type
Mounting Style	Surface Mount
Wire Range	250MCM-600MCM

## Features

- 320 amp continuous demand rating.
- Approved for overhead / underground cable entry.
- UL approved outdoor enclosure construction (NEMA 3R).





## Features

- Roof hub opening available by request. Hub cover plate and hubs available.
- ANSI 61 powder coated galvanized steel, aluminum or stainless steel options.
- UL certification label.
- Ring or ringless meter opening.
- Solid or stranded #12 or #10 wire.
- Test switch mounting pedestals; (custom heights available 1" or shorter).
- Test switch handle colors available (handles can have split colors to match wire).
- Custom test switch pole arrangements.
- Test switches can be standard copper, or tin plated.
- Clear lexan or black fiberglass test switch covers available.
- Standard utility sealable options.
- 1 or 2 piece front cover.
- Utility specific wire harnesses.
- Arc barrier available.



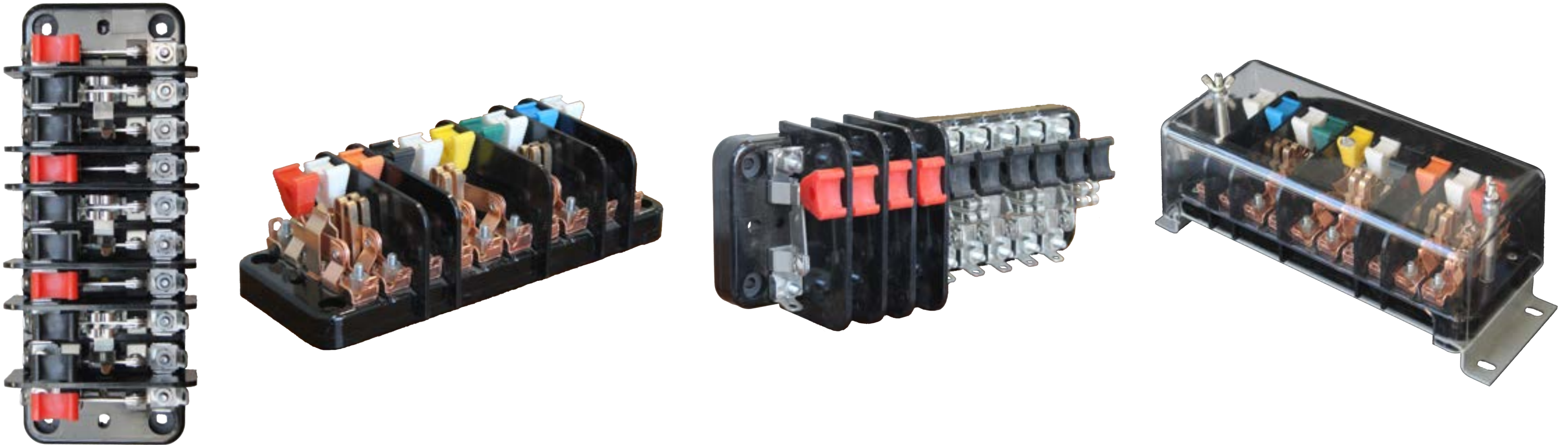
## Product Selection

Territory	Part Number	Amperage (A)	Voltage (V)	Phase	Wiring	H x W x D (Inches)
ORANGE & ROCKLAND	NAV-OR-MS10P-208-3	30	250	3	PREWIRED	21-1/4" x 14-1/2" x 5-3/8"
ORANGE & ROCKLAND	NAV-OR-MS10P-480-3	30	480	3	PREWIRED	21-1/4" x 14-1/2" x 5-3/8"
ORANGE & ROCKLAND	NAV-OR-MS7P-208-1	30	250	1	PREWIRED	21-1/4" x 14-1/2" x 5-3/8"
CON-ED	NAV-CE-MS10P-208-3	30	250	3	PREWIRED	21-1/4" x 14-1/2" x 5-3/8"
CON-ED	NAV-CE-MS10P-480-3	30	480	3	PREWIRED	21-1/4" x 14-1/2" x 5-3/8"
CON-ED	NAV-CE-MS7P-240-1	30	250	1	PREWIRED	21-1/4" x 14-1/2" x 5-3/8"
CON-ED	NAV-CE-MS7P-480-1	30	480	1	PREWIRED	21-1/4" x 14-1/2" x 5-3/8"
PSEG LI	NAV-PG-MS10P-208-3	30	600	3	PREWIRED	21-1/4" x 14-1/2" x 5-3/8"
PSEG LI	NAV-PG-MS7P-208-1	30	600	1	PREWIRED	21-1/4" x 14-1/2" x 5-3/8"
ORANGE & ROCKLAND	NAV-OR-MS10P-208-3	30	250	3	PREWIRED	21-1/4" x 14-1/2" x 5-3/8"
ORANGE & ROCKLAND	NAV-OR-MS10P-480-3	30	480	3	PREWIRED	21-1/4" x 14-1/2" x 5-3/8"
ORANGE & ROCKLAND	NAV-OR-MS7P-208-1	30	250	1	PREWIRED	21-1/4" x 14-1/2" x 5-3/8"
CENTRAL HUDSON	NAV-CH-MS10P-3	30	600	3	UNWIRED	21-1/4" x 14-1/2" x 5-3/8"
CENTRAL HUDSON	NAV-CH-MS7P-1	30	600	1	UNWIRED	21-1/4" x 14-1/2" x 5-3/8"
DUQUESNE	NAV-DQ-MS10P-3	30	600	3	PREWIRED	21-1/4" x 14-1/2" x 5-3/8"
DUQUESNE	NAV-DQ-MS7P-1	30	600	1	PREWIRED	21-1/4" x 14-1/2" x 5-3/8"

## Features

- Roof hub opening available by request. Hub cover plate and hubs available.
- ANSI 61 powder coated galvanized steel, aluminum or stainless steel options.
- UL certification label.
- Ring or ringless meter opening.
- Solid or stranded #12 or #10 wire.
- Test switch mounting pedestals; (custom heights available 1" or shorter).
- Test switch handle colors available (handles can have split colors to match wire).
- Custom test switch pole arrangements.
- Test switches can be standard copper, or tin plated.
- Clear lexan or black fiberglass test switch covers available.
- Standard utility sealable options.
- 1 or 2 piece front cover.
- Utility specific wire harnesses.
- Arc barrier available.





## Features

- **Handle Color Options:**
  - Many non-standard color options are available. Standard colors are black for current and red for potential. Handle material is polypropylene. Custom configurations available.
- **Current-Carrying Components:**
  - Made from highly conductive copper and copper alloys.
  - Ensures optimal conductivity and corrosion resistance.
  - Spring-grade materials used where appropriate.
  - Plating or bare configuration available.
  - Engineered to prevent overheating and maintain secure contact.
- **45° Stops:**
  - 90° pivots on 45° stops are standard. Where necessary, 180° pivots are available.
- **Test Switch Base:**
  - Constructed from high-strength, standard black colored fiberglass-reinforced thermoset polyester.
  - Flame-retardant.
  - Available in 7-pole and 10-pole sizes.
- **Polarity Barrier:**
  - Circuits are equipped with permanently mounted, high-tensile polycarbonate barriers.
  - Designed for maximum protection and insulation between terminals.
- **Test Switch Covers:**
  - Made from impact-resistant, clear thermal plastic with excellent moisture resistance.
  - Ordering options:
    - Factory-installed.
    - Field-installed: Order TSB-CVR separately.
  - Compatible with low mount test bridges only.

\*Please consult serving utility for their requirements prior to ordering or installing, as specifications and approvals vary by utility, and may require local electrical inspector approval. All installations must be installed by a licensed electrician and must comply with all national and local codes, laws and regulations.

Customer Name: \_\_\_\_\_ Phone / Email \_\_\_\_\_

Address: \_\_\_\_\_

Handle Color Key	
R	Red
O	Orange
Y	Yellow
G	Green
BLU	Blue
P	Purple
BRN	Brown
GRY	Gray
BLK	Black
-W-	White Stripe
-BLK-	Black Stripe

Switch Configuration Key	
V	Potential switch
C+	Line side current switch with short circuit assembly
C	Load side current switch with test jack assembly
N	Nuetral bar (no switch)
Vn	Nuetral potential switch
X	Unused position on base
	Insulating barrier, isolates both sides of a switch

**Test Switch Base:**

Molded from reinforced fiberglass, thermoset polyester. The base is NEMA approved, track-resistant, flame-retardant and has low water absorption qualities.

**Custom Pole Arrangements:** The following empty chart can be used to create your own specific pole arrangement. Please specify base type and whether all C+ line side, current switch/shunt circuit assemblies are desired to be bussed together. The catalog numbers shown are connected in line-load pairs. If bussing is required, different catalog numbers will apply.

**Pole Position:**

Catalog #	1	2	3	4	5	6	7	8	9	10

**Special Features:**

Feature	Catalog #	1	2	3	4	5	6	7	8	9	10
45° Angle Stops											
Ganged Handles											
Bussing											
Colored Handles											

Engineering information: \_\_\_\_\_

\_\_\_\_\_

\_\_\_\_\_

Number of Poles [4 or 7 or 10]: \_\_\_\_\_ Test Switch Cover [Yes or No]: \_\_\_\_\_ Base Size [7 or 10]: \_\_\_\_\_

\*Please consult serving utility for their requirements prior to ordering or installing, as specifications and approvals vary by utility, and may require local electrical inspector approval. All installations must be installed by a licensed electrician and must comply with all national and local codes, laws and regulations.



**Description:**

Nav-Tech CT cabinets and service equipment are designed for utility-approved metering and service entrance applications. Available in indoor and outdoor configurations, these cabinets offer durable construction, flexible configurations, and compliance with UL and utility standards for high-capacity electrical installations.

**Contents:**

- |                                |   |
|--------------------------------|---|
| Furnished CT Cabinets          | PPL   |
| Unfurnished CT Cabinets        | National Grid   |
| Duquesne Light Co. CT Cabinets | RG&E  |
| NYSEG CT Cabinets              | Con Ed & Service Entrance                             |
| PECO                           | Eversource Commercial Utility Package                 |
| Pepco                          | New Jersey Service Utility Packages - PSEG NJ & JCP&L |



## Features

- Indoor type 1 & Outdoor type 3R construction available.
- Industry standard ANSI 61 baked enamel powder coat finish.
- Hinged doors & screw cover doors available (subject to utility requirements).
- Bar style & window style cabinets.
- 600 MCM line/load lugs come standard on CT Cabinets. Larger or smaller lugs available upon request.
- Constructed from 16GA to 12GA material depending on territory requirements.
- Silver flashed & bare copper bus available in 2" to 6" widths.
- Zinc plated hardware is standard, stainless steel hardware available by request.
- Padlockable handle with 3pt catch standard for CT compartment.
- All Cabinets are UL Listed.
- For a list of utility approved cabinets, see Nav-Tech Catalog.
- For specs of individual utility cabinets, consult Nav-Tech.

## Approved Territories

- Con Edison
- Orange & Rockland Electric
- Duquesne Light Co.
- PSEG New Jersey
- Peco
- Duke Energy



## Features

- Enclosure body and cover constructed of galvanized steel according to utility requirements.
- Available gasketed front cover with provisions to hold doors open.
- Lift-off hinges for removable doors or lift-off single covers.
- No factory pre-fabbed knockouts.
- Indoor type 1 & Outdoor type 3R construction available.
- Industry standard ANSI 61 baked enamel powder coat finish.
- Hinged doors & screw cover doors available (subject to utility requirements).
- All cabinets are UL Listed.
- For a list of utility approved cabinets, see Nav-Tech Catalog.
- For specs of individual utility cabinets, consult Nav-Tech.



## Approved Territories

- Con Edison
- Orange & Rockland Electric
- Duquesne Light Co.
- PSEG New Jersey
- Peco
- Duke Energy





## Features

- Enclosure body and cover constructed of galvanized steel.
- ANSI 61 gray polyester powder paint finish inside and out.
- Double door with 3-point latch and padlockable handle.
- UL Listed.
- Nema 3R outdoor shed roof construction preventing rain water ingress.
- Gasketed front cover with provisions to hold doors open.
- Lift-off hinges for removable doors.
- No knockouts.

## Product Selection

Part Number	Transformer Cabinet Size (Inches)	Max # of Conductors per Phase	Conductor Service Size (KCM)	Installation Type	Installation Voltage (Volts AC)
ENC-CTR-322410-FD	24 x 32 x 10	1	350 or Less	3-Phase 3-Wire	460
		1	750 or Less		230
		2	500 or Less		
		1	500 or Less	3-Phase 4-Wire	120/108
		2	500 or Less	1-Phase	120/240
ENC-CTR-422412-FD	42 x 24 x 12	1	750 or Less	3-Phase 4-Wire	277/480
		2	500 or Less		
		2	750 or Less		120/208
		3	500 or Less		
		3	600 to 750	1-Phase	120/240
		4	500 or Less		
ENC-CTR-603818-FD	60 x 38 x 18	4	750 or Less	3-Phase 4-Wire	120/208
					277/480



## Features

- Enclosure body and cover constructed of 14-16GA galvanized steel.
- ANSI 61 gray polyester powder paint finish inside and out.
- Padlockable hinged door.
- Gasketed front cover.
- Nema 3R outdoor shed roof construction preventing rain water ingress.
- Lift-off hinges for removable doors.
- No knockouts.

## Product Selection

Part Number	Enclosure Size (Inches H x W x D)	Amperage (Amps)	Installation Type	Installation Voltage (MAX Volts AC)	MAX Sets Line/Load
NAV-NY-CTR-8	30 x 30 x 12	400-800	3-Phase 4-Wire	600	(2) 600MCM or (4) 250MCM
NAV-NY-CTR-12	48 x 36 x 12	1200	3-Phase 4-Wire	800	600MCM





## Features

- Enclosure body and cover constructed of 14GA galvanized steel.
- ANSI 61 gray polyester powder paint finish inside and out.
- Double door with 3-point latch and non-keyed padlockable handle.
- Nema 3R outdoor shed roof construction preventing rain water ingress.
- Gasketed front cover with provisions to hold doors open.
- Lift-off hinges for removable doors with tamperproof hardware.
- No knockouts.

## Product Selection

	Part Number	Transformer Cabinet Size (Inches)	Installation Voltage (Volts AC)	Max # of Conductors per Phase	Conductor Service Size (KCM)	Installation Type
Indoor Type 1	NAV-PECO-CT-241810	24 x 18 x 10	250 MAX	3	350	1 Phase 3 Wire
	NAV-PECO-CT-322410	32 x 24 x 10	250 MAX	3	500	1 Phase 3 Wire
				5	400	2 Phase 5 Wire
				3	500	3 Phase 3 Wire
	NAV-PECO-CT-323210	32 x 32 x 10	250 MAX	3	500	3 Phase 4 Wire Delta
				4	400	3 Phase 4 Wire WYE
NAV-PECO-CT-423210	42 x 32 x 10	250 MAX	4	750	3 Phase 4 Wire WYE	
			5	750	2 Phase 5 Wire	
NAV-PECO-CT-544212	54 x 42 x 12	600 MAX	4	750	3 Phase 4 Wire WYE or Delta	
Outdoor Type 3R	NAV-PECO-CTR-241815	24 x 18 x 15	250 MAX	3	350	1 Phase 3 Wire
	NAV-PECO-CTR-322415	32 x 24 x 15	250 MAX	3	500	1 Phase 3 Wire
				5	400	2 Phase 5 Wire
				3	500	3 Phase 3 Wire
	NAV-PECO-CTR-323215	32 x 32 x 15	250 MAX	3	500	3 Phase 4 Wire Delta
				4	400	3 Phase 4 Wire WYE
NAV-PECO-CTR-423215	42 x 32 x 15	250 MAX	4	750	3 Phase 4 Wire WYE	
			5	750	2 Phase 5 Wire	
NAV-PECO-CTR-544215	54 x 42 x 15	600 MAX	4	750	3 Phase 4 Wire WYE or Delta	



## Features

- Enclosure body and cover constructed of 14GA galvanized steel.
- ANSI 61 gray polyester powder paint finish inside and out.
- Double door with 3-point latch and padlockable handle.
- Nema 3R outdoor shed roof construction preventing rain water ingress.
- Gasketed front cover with provisions to hold doors open.
- Lift-off hinges for removable doors.
- No knockouts.

## Product Selection

	Part Number	Transformer Cabinet Size (Inches H x W x D)	Amperage (Amps)	Installation Type	Installation Voltage (Volts AC)
<b>Outdoor</b>	NAV-PEP-CTR12	32 x 42 x 15	1200	3-Phase 4-Wire	600
				1-Phase 3-Wire	
	NAV-PEP-CTR20	36 x 42 x 15	2000	3-Phase 4-Wire	600
				1-Phase 3-Wire	



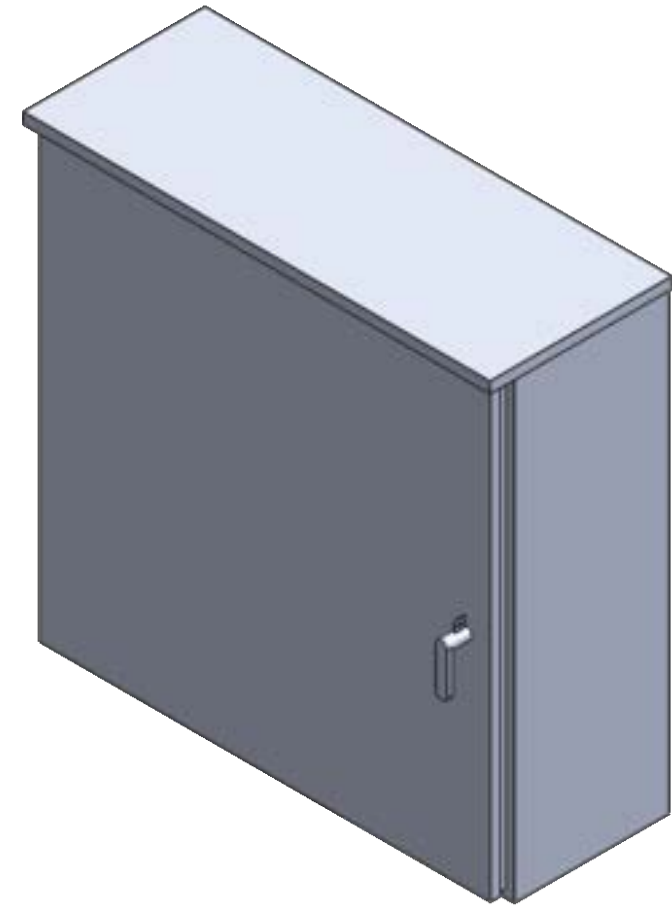


## Features

- Enclosure body and cover constructed of 14GA galvanized steel.
- ANSI 61 gray polyester powder paint finish inside and out.
- Double door with 3-point latch and padlockable handle.
- Nema 3R outdoor shed roof construction preventing rain water ingress.
- Gasketed front cover with provisions to hold doors open.
- Lift-off hinges for removable doors.
- No knockouts.

## Product Selection

	Part Number	Transformer Cabinet Size (Inches H x W x D)	Amperage (Amps)	Installation Type	Installation Voltage (Volts AC)
Indoor	NAV-PPL-CT12	48 x 48 x 12	1200	3-Phase 4-Wire	600
				1-Phase 3-Wire	
	NAV-PPL-CT20	72 x 48 x 12	2000	3-Phase 4-Wire	250
Outdoor	NAV-PPL-CTR12	48 x 48 x 12	1200	3-Phase 4-Wire	600
				1-Phase 3-Wire	
	NAV-PPL-CTR20	72 x 48 x 12	2000	3-Phase 4-Wire	250



## Features

- Enclosure body and cover constructed of galvanized steel.
- ANSI 61 gray polyester powder paint finish inside and out.
- Double door configuration with 3-point latch and padlockable handle.
- Single door configuration screw fastened with padlockable handle.
- Grounding stud for equipment grounding.
- Nema 3R Outdoor Shed roof Construction preventing rain water ingress.
- Gasketed Front Cover With provisions to hold doors open.
- Lift off hinges factory installed.
- No knockouts.
- Galvanized steel backplate factory installed.
- UL Listed.

## Product Selection

	Part Number	Transformer Cabinet Size (Inches H x W x D)	Amperage (Amps)	Installation Type	Installation Voltage (Volts AC)
Single Hinged Door	NAV-NG-CTR-8	36 x 36 x 10	400	1-Phase 3-Wire	250
			800	3-Phase 4-Wire	600
Double Hinged Door	NAV-NG-CTR8-FD	36 x 47 x 10	400	1-Phase 3-Wire	250
			800	3-Phase 4-Wire	600





## Features

- Enclosure body and cover constructed of 14-16GA galvanized steel.
- ANSI 61 gray polyester powder paint finish inside and out.
- Padlockable hinged door.
- Nema 3R outdoor shed roof construction preventing rain water ingress.
- Gasketed front cover.
- Lift-off hinges for removable doors.
- No knockouts.

## Product Selection

Part Number	Enclosure Size (Inches H x W x D)	Amperage (Amps)	Installation Type	Installation Voltage (MAX Volts AC)	MAX Sets Line/Load
NAV-NY-CTR-8	30 x 30 x 12	400-800	3-Phase 4-Wire	600	(2) 600MCM or (4) 250MCM
NAV-NY-CTR-12	48 x 36 x 12	1200	3-Phase 4-Wire	800	600MCM

## Features

- CT Cabinets rated up to 4,000 amps.
- Entrance boxes rated up to 8800 amps.
- 250V & 480V applications.
- Utility sealable.
- Furnished with copper detail above 400A.
- Custom sizes & configurations available.
- Indoor & outdoor configurations.
- UL 50, UL 891 compliant, Con Edison approved.
- Galvanized sheet steel powder coated wrinkle gray.
- Larger lugs or additional sets in/out available by request.



### Outdoor versions available\*

	Catalog Number	Con Ed Spec	Line Sets	Load Sets	Amperage (A)	Voltage (V)	Dimensions (Inches)
Service Entrance Boxes	N-205	205	1 (2/0)	2 (2/0)	100	250 MAX	10 x 10 x 5
	N-215	215	1 (4/0)	2 (4/0)	200	250 MAX	24 x 12 x 8
	N-220	220	1 (2/0)	1 (3/0)	200	250 MAX	12 x 12 x 8
	N-484	484	1 (500 MCM)	2 (500 MCM)	400	250 MAX	30 x 18 x 12
	NAV-EO-48-9525B	9525B	1 (600 MCM)	2 (600 MCM)	400	250 MAX	48 x 24 x 16
	NAV-EO-54-9525B	9525B	1 (600 MCM)	3 (600 MCM)	800	250 MAX	54 x 24 x 16
	NAV-EO-68-9072B	9072B	2 (600 MCM)	5 (600 MCM)	2000	250 MAX	68 x 26 x 18
	NAV-EO-78-9073B	9073B	6 (600 MCM)	7 (600 MCM)	2800	250 MAX	78 x 34 x 18
	NAV-EO-84-9073B	9073B	10 (600 MCM)	14 (600 MCM)	5600	250 MAX	84 x 40 x 30
	NAV-EO-92-9073B	9073B	10+ (600 MCM)	16+ (600 MCM)	8800	250 MAX	92 x 48 x 30
CT Cabinets	348210	348210	2 (600 MCM)	7 (600 MCM)	2800	480 MAX	72 x 48 x 30
	348211	348211	10+ (600 MCM)	16+ (600 MCM)	8800	480 MAX	96 x 48 x 30
	CT-36	142	2 (500 MCM)	2 (500 MCM)	400	240/480	27 x 36 x 10
	CT-44	142	2 (500 MCM)	2 (500 MCM)	400	240/480	27 x 44 x 10
	NAV-298-CT-800	298	2 (600 MCM)	2 (600 MCM)	800	240/480	72 x 36 x 12
	NAV-298-CT-1200	298	3 (600 MCM)	3 (600 MCM)	1200	240/480	72 x 36 x 12
	NAV-298-CT-1600	298	4 (600 MCM)	4 (600 MCM)	1600	240/480	72 x 36 x 12
	NAV-377CT-2000	377	5 (600 MCM)	5 (600 MCM)	2000	240/480	90 x 50 x 20
	NAV-377CT-2500	377	6 (600 MCM)	6 (600 MCM)	2500	240/480	90 x 50 x 20
	NAV-377CT-3000	377	8 (600 MCM)	8 (600 MCM)	3000	240/480	90 x 50 x 20
NAV-377CT-4000	377	10 (600 MCM)	10 (600 MCM)	4000	240/480	90 x 50 x 20	



# Eversource Commercial Utility Service Package



## Features (Cabinets)

- Box and cover N3R construction - galvanized sheet steel (14GA).
- Finish: Powdercoat gray enamel.
- UL 414 listed.
- Bus bars - copper 98% conductivity.
- Box shall have name plate with manufacturers.
- 800A or 1200A, 600VAC MAX 3Ø 4W - rated for 50kA SCCR.
- Grade 5 hardware.
- Wire connection torque: 500 in-lb.
- CT landing bolt torque: 660 in-lb.
- 2000A, 4000A rated at 100kA SCCR.

## Features (Meters)

- ANSI 61 powder coated galvanized steel, aluminum or stainless steel options.
- UL Listed.
- Ringless type meter opening.
- Eversource utility specific test switch pole arrangements.
- Clear lexan or black fiberglass test switch covers available.
- Standard utility sealable options.
- 1 piece front cover.
- Eversource utility specific wire harnesses.
- Arc barrier standard.

## Product Selection

	Part Number	Enclosure Size (Inches H x W x D)	Amperage (Amps)	Installation Type	Installation Voltage (MAX Volts AC)	MAX Sets Line/Load
CT Cabinets	NAV-ES-CTR-8	36 x 47 x 10	800	3-Phase 4-Wire 1-Phase 3-Wire	600	(2) 600MCM or (4) 250MCM
	NAV-ES-CTR-12	48 x 48 x 12	1200	3-Phase 4-Wire	600	600MCM
	NAV-ES-CTR-20	60 x 40 x 20	2000	3-Phase 4-Wire	600	600MCM
	NAV-ES-CTR-30	68 x 40 x 20	3000	3-Phase 4-Wire	600	600MCM
	NAV-ES-CTR-40	68 x 40 x 20	4000	3-Phase 4-Wire	600	600MCM
Meters	NAV-ES-MS10P-3	21 x 14.25 x 5	30	3-Phase 4-Wire	600	
	NAV-ES-MS7P-1	21 x 14.25 x 5	30	1-Phase 3-Wire	600	



## Features (Cabinets)

- Powder coated NEMA 3R construction with code gauge steel.
- Rated 200A up to 4000A, 600V MAX.
- Furnished & unfurnished configurations with mounted studs.
- Stainless steel hardware.
- Bar style and window style CT's.
- Bonded or isolated neutrals available.
- 600 MCM lugs standard. Larger lugs available by request.
- UL Listed.

## Features (Disconnects)

- 200A-4000A MAX 600V disconnects available.
- Listed per UL Standard 90, enclosed and dead front switches.
- UL Service Entrance rated when installed in accordance with the National Electrical Code.
- General or heavy duty.
- Pad-lockable in off position.
- Underground and overhead exit/entry provisions.
- Neutral to ground bonding kit included standard.
- Line side top configuration standard, line bottom configuration available by request.
- Disconnect switches are fused.
- Viewing window for solar disconnects available by request.

## Product Selection (Disconnects)

Part Number	Amperage (A)	Voltage (V)	Phase/Wires	Type	H x W x D (Inches)	Fuse Type
NAV-SS 200-3-F	200	250 MAX	3PH/4W	Indoor	31-1/4 x 13 x 7	(H) or (K)
NAV-SS 200-3-F-R	200	250 MAX	3PH/4W	Outdoor	31-1/4 x 13 x 7	(H) or (K)
NAV-SS 400-3-F	400	250 MAX	3PH/4W	Indoor	49.5 x 22 x 10-1/2	(H) or (K)
NAV-SS 400-3-F-R	400	250 MAX	3PH/4W	Outdoor	49.5 x 22 x 10-1/2	(H) or (K)
(Amps) BPS-T	400-4000	600 MAX	3PH/4W	Indoor	Variable	(J) or (L)
(Amps) BPS-B	400-4000	600 MAX	3PH/4W	Indoor	Variable	(J) or (L)
(Amps) BPS-T-3R	400-4000	600 MAX	3PH/4W	Outdoor	Variable	(J) or (L)
(Amps) BPS-B-3R	400-4000	600 MAX	3PH/4W	Outdoor	Variable	(J) or (L)

## Product Selection (Cabinets)

	Part Number	Amperage (A)	Voltage (V)	Type	H x W x D (Inches)	CT Type
PSEG NJ	PNJ-CT4-800	800	600 MAX	Indoor	36 x 28 x 10	Bar
	PNJ-CT4-800R	800	600 MAX	Outdoor	36 x 28 x 10	Bar
	NAV-NJ-CT-(Amps)	801-4000	600 MAX	Indoor	60 x 40 x 20	Window
	NAV-NJ-CTR-(Amps)	801-4000	600 MAX	Outdoor	60 x 40 x 20	Window
JCP&L	NAV-FE-CT-8	800	600 MAX	Indoor	47 x 36 x 10	Window or Bar
	NAV-FE-CTR-8	800	600 MAX	Outdoor	47 x 36 x 10	Window or Bar
	NAV-FE-CT-(Amps)	801-2000	600 MAX	Indoor	60 x 40 x 20	Window
	NAV-FE-CTR-(Amps)	801-2000	600 MAX	Outdoor	60 x 40 x 20	Window
	NAV-FE-377CT-(Amps)	2001-4000	600 MAX	Indoor	90 x 50 x 20	Window
	NAV-FE-377CTR-(Amps)	2001-4000	600 MAX	Outdoor	90 x 50 x 20	Window



# FPL Commercial Utility Service Package



## Features (Cabinets)

- Box and cover N3R construction - galvanized sheet steel (14GA).
- Finish: Powdercoat gray enamel.
- UL 414 listed.
- Manufacturer name plate included.
- 800A or 1200A, 600VAC MAX 3Ø 4W - rated for 50kA SCCR.
- Grade 5 hardware.
- Wire connection torque: 500 in-lb.
- CT landing bolt torque: 660 in-lb.

## Features (Meters)

- ANSI 61 powder coated galvanized steel, aluminum or stainless steel options.
- UL Listed.
- Ringless type meter opening.
- FPLC utility specific test switch pole arrangements.
- Clear lexan or black fiberglass test switch covers available.
- Standard utility sealable options.
- 1 piece front cover.
- FPLC utility specific wire harnesses.
- Arc barrier standard.

## Product Selection

	Part Number	Enclosure Size (Inches H x W x D)	Installation Type	Installation Voltage (MAX Volts AC)	Max Conductors Per Phase	Material / Construction
CT Cabinets	NAV-FPL-CTR-12	34 x 32 x 12	3-Phase 4-Wire	600	2 Sets 600MCM	14GA Galv Steel NEMA 3R
	NAV-FPL-CTR-463015	46 x 30 x 15	3-Phase 4-Wire	600	4 Sets 600MCM	14GA Galv Steel NEMA 3R
	NAV-FPL-CTR-544215	54 x 42 x 15	3-Phase 4-Wire	600	4 Sets 600MCM	14GA Galv Steel NEMA 3R
	NAV-FPL-CTR-XL	46 x 30 x 16 (MIN dimensions)	3-Phase 4-Wire	600	As Required	14GA Galv Steel NEMA 3R

	Part Number	Enclosure Size (Inches H x W x D)	Amperage (A)	Installation Type	Installation Voltage (MAX Volts AC)
Meters	NAV-FPL-MS10P-3	20 x 12.25 x 5	30	3-Phase 4-Wire	600
	NAV-FPL-MS7P-1	21 x 14.25 x 5	30	1-Phase 3-Wire	600

# Duke Commercial Utility Service Package



## Features (Cabinets)

- Box and cover N3R construction - galvanized sheet steel (16GA).
- Finish: Powdercoat gray enamel.
- Manufacturer name plate included.
- CT mounting backplates & hardware included.
- Embossed holes in rear for mounting cabinet.
- N-150 bonded grounding lug.
- \*Cover type either hinge or liftoff.

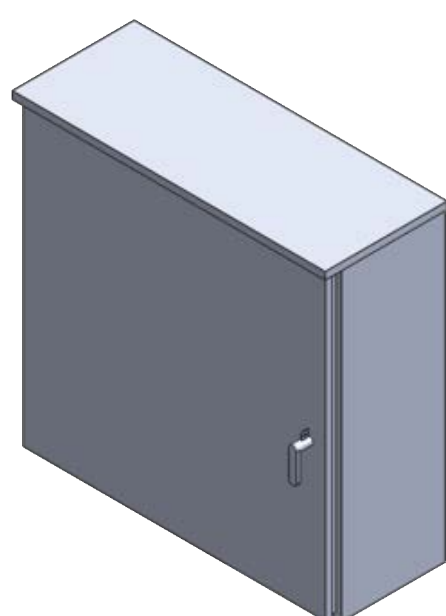
## Features (Meters)

- ANSI 61 powder coated galvanized steel, aluminum or stainless steel options.
- UL Listed.
- Ringless type meter opening.
- Duke utility specific test switch pole arrangements.
- Clear lexan or black fiberglass test switch covers available.
- Standard utility sealable options.
- 1 piece front cover.
- Duke utility specific wire harnesses.
- Arc barrier standard.

## Product Selection

	Part Number	Enclosure Size (Inches H x W x D)	Amperage (A)	Installation Type	Installation Voltage (MAX Volts AC)	Max Conductors Per Phase	Material / Construction	*Cover Type
CT Cabinets	NAV-DE-CTR-6	34 x 32 x 12	600	1 or 3 - Phase 4-Wire	600	See Duke Energy regional service requirements	14GA Galv Steel NEMA 3R	Lift-Off Screw Cover w/ Sealing Latch
	NAV-DE-CTR-12	40 x 40 x 14	1200	1 or 3 - Phase 4-Wire	600	See Duke Energy regional service requirements	14GA Galv Steel NEMA 3R	Padlockable French Door w/ 3-Point Catch

	Part Number	Enclosure Size (Inches H x W x D)	Amperage (A)	Installation Type	Installation Voltage (MAX Volts AC)
Meters	NAV-DECM-MS10P-3	20 x 12.25 x 5	30	3-Phase 4-Wire	600
	NAV-DECM-MS10P-1	21 x 14.25 x 5	30	1-Phase 3-Wire	600



## Features (Cabinets)

- Enclosure body and cover constructed of galvanized steel.
- ANSI 61 gray polyester powder paint finish inside and out.
- Double door configuration with 3-point latch and padlockable handle.
- Single door configuration screw fastened with padlockable handle.
- Grounding stud for equipment grounding.
- Nema 3R outdoor Shed roof Construction preventing rain water ingress.
- Gasketed front cover With provisions to hold doors open.
- Lift off hinges factory installed.
- No knockouts.
- Galvanized steel backplate factory installed.
- UL Listed.

## Features (Disconnects)

- 200A-4000A MAX 600V disconnects available.
- Listed per UL Standard 90, enclosed and dead front switches.
- UL Service Entrance rated when installed in accordance with the National Electrical Code.
- General or heavy duty.
- Pad-lockable in off position.
- Underground and overhead exit/entry provisions.
- Neutral to ground bonding kit included standard.
- Line side top configuration standard, line bottom configuration available by request.
- Disconnect switches are fused.

## Product Selection (Disconnects)

Part Number	Amperage (A)	Voltage (V)	Phase/Wires	Type	H x W x D (Inches)	Fuse Type
NAV-SS 200-3-F	200	250 MAX	3PH/4W	Indoor	31-1/4 x 13 x 7	(H) or (K)
NAV-SS 200-3-F-R	200	250 MAX	3PH/4W	Outdoor	31-1/4 x 13 x 7	(H) or (K)
NAV-SS 400-3-F	400	250 MAX	3PH/4W	Indoor	49.5 x 22 x 10-1/2	(H) or (K)
NAV-SS 400-3-F-R	400	250 MAX	3PH/4W	Outdoor	49.5 x 22 x 10-1/2	(H) or (K)
(Amps) BPS-T	400-4000	600 MAX	3PH/4W	Indoor	Variable	(J) or (L)
(Amps) BPS-B	400-4000	600 MAX	3PH/4W	Indoor	Variable	(J) or (L)
(Amps) BPS-T-3R	400-4000	600 MAX	3PH/4W	Outdoor	Variable	(J) or (L)
(Amps) BPS-B-3R	400-4000	600 MAX	3PH/4W	Outdoor	Variable	(J) or (L)

## Product Selection (Cabinets)

	Part Number	Transformer Cabinet Size (Inches H x W x D)	Amperage (Amps)	Installation Type	Installation Voltage (Volts AC)
Single Hinged Door	NAV-NG-CTR-8	36 x 36 x 10	400	1-Phase 3-Wire	250
			800	3-Phase 4-Wire	600
Double Hinged Door	NAV-NG-CTR8-FD	36 x 47 x 10	400	1-Phase 3-Wire	250
			800	3-Phase 4-Wire	600



**Description:**

Nav-Tech CT cabinets and service equipment are designed for utility-approved metering and service entrance applications. Available in indoor and outdoor configurations, these cabinets offer durable construction, flexible configurations, and compliance with UL and utility standards for high-capacity electrical installations.

**Contents:**

Furnished CT Cabinets

Unfurnished CT Cabinets

Duquesne Light Co. CT Cabinets

NYSEG CT Cabinets

PECO

Pepco

PPL

National Grid

RG&E

Con Ed & Service Entrance

Eversource Commercial Utility Package

New Jersey Service Utility Packages - PSEG NJ & JCP&L





## Features

- Designed for residential and light commercial applications where duty is not severe.
- Listed per UL Standard 90, Enclosed and Dead Front Switches.
- UL Service Entrance rated when installed in accordance with the National Electrical Code.
- Meets NEMA Enclosed Switch Standard KS1-1990 for Type.
- General Duty.
- Pad-lockable in off position.
- Underground and overhead Exit/Entry provisions standard from factory.
- Hinge cover screw fastened door construction.
- Roof Knockout sealable cover plates available and sold separately.
- Active safety latch keeps cover closed when switch is in on position.
- Neutral to ground bonding kit included standard.
- Line side top configuration standard, Line bottom configuration available by request.
- 60°C and 75°C conductor rating.
- Disconnect switches are fused.

## Product Selection

Part Number	Amperage (A)	Voltage (V)	Phase/Wires	Type	H x W x D (Inches)	Fuse Type
NAV-SS 200-3-F	200	250 MAX	3PH/4W	INDOOR	31-1/4 x 13 x 7	(H) or (K)
NAV-SS 200-3-F-R	200	250 MAX	3PH/4W	OUTDOOR	31-1/4 x 13 x 7	(H) or (K)
NAV-SS 200-2-F	200	250 MAX	1PH/3W	INDOOR	31-1/4 x 13 x 7	(H) or (K)
NAV-SS 200-2-F-R	200	250 MAX	1PH/3W	OUTDOOR	31-1/4 x 13 x 7	(H) or (K)
NAV-SS 400-3-F	400	250 MAX	3PH/4W	INDOOR	49.5 x 22 x 10-1/2	(H) or (K)
NAV-SS 400-3-F-R	400	250 MAX	3PH/4W	OUTDOOR	49.5 x 22 x 10-1/2	(H) or (K)
NAV-SS 400-2-F	400	250 MAX	1PH/3W	INDOOR	49.5 x 22 x 10-1/2	(H) or (K)
NAV-SS 400-2-F-R	400	250 MAX	1PH/3W	OUTDOOR	49.5 x 22 x 10-1/2	(H) or (K)





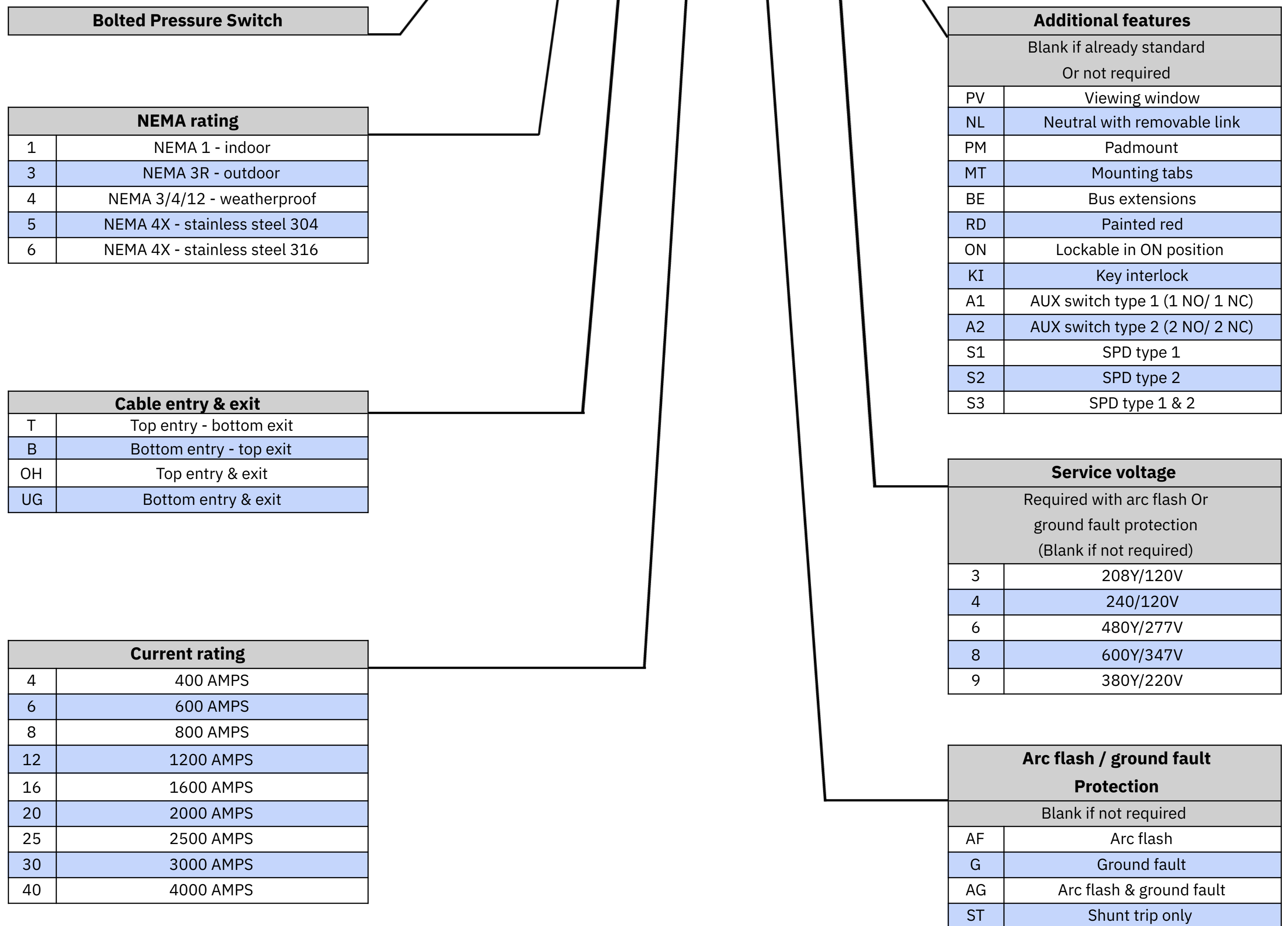
## Features

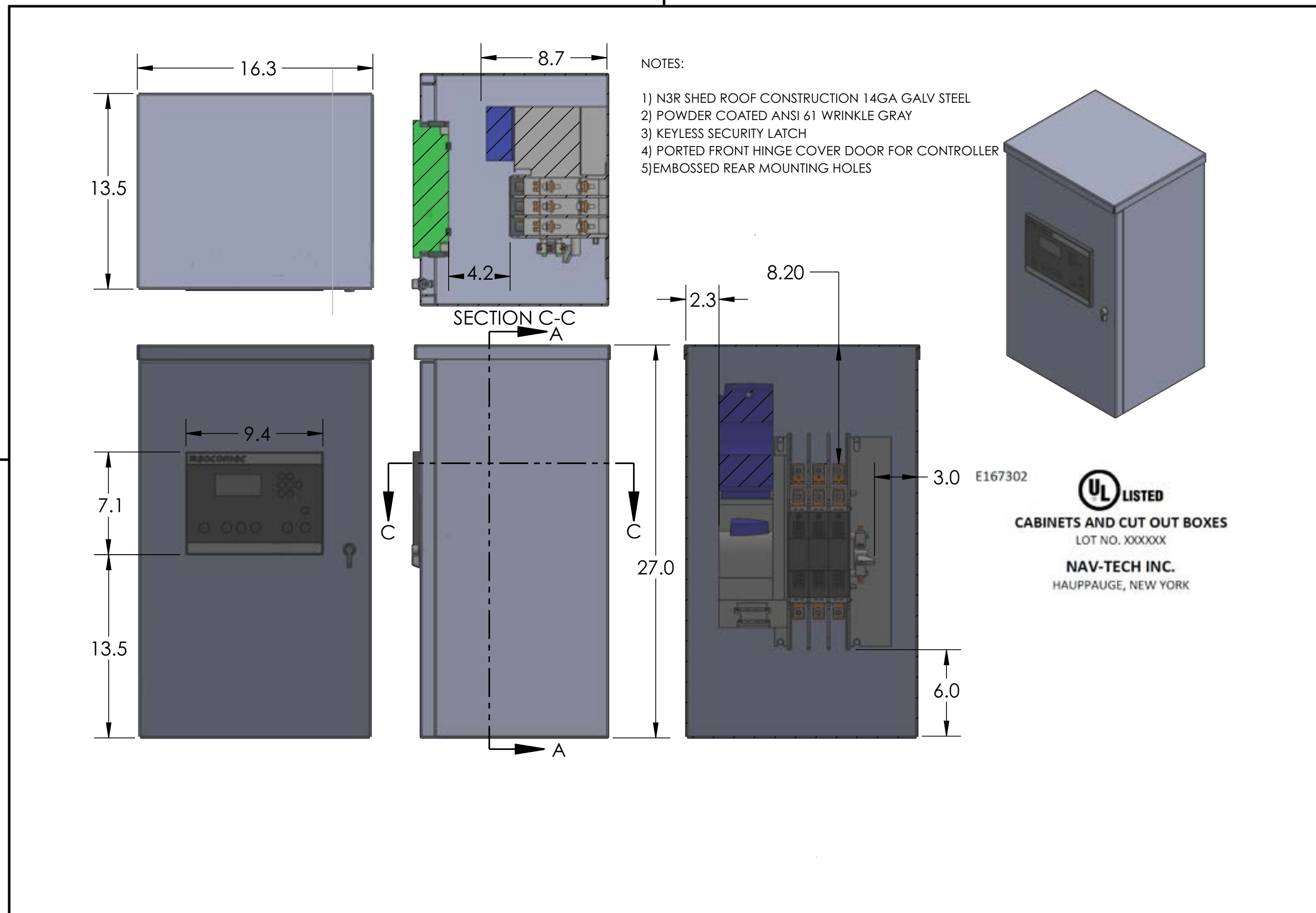
- 400A-4000A MAX disconnects available.
- Listed per UL Standard 90, enclosed and dead front switches.
- UL service entrance rated when installed in accordance with the National Electrical Code.
- Disconnect switches are fused (fusible down to 225A). Fuses sold separately.
- Heavy duty rated.
- 3P – 4W configuration.
- Bus bars silver plated copper - 98% conductivity.
- Ampere fault current rating of 200K AIC.
- Enclosure options are available for indoor, outdoor, weatherproof & amp; NEMA 4X units.
- Terminals included - see spec sheet for number of sets. Additional lugs sold separately.
- Padlockable when off is standard. Padlockable on available by request.
- For 1200A and over models, installed with isolated neutral bus with removable link in center. Includes neutral to ground bonding kit.
- For 800A and under models, installed with only isolated neutral. Neutral with removable link in center available by request.
- Line side top configuration or line bottom configuration available.
- Additional features such as arc flash and ground fault protection are available by request. See enclosed BPS configuration and part number logic page for options.

# Heavy Duty Disconnect Switches Configurations & Part Number Logic

\*Below is a guide on our enclosed BPS part number logic. Each box of the part number would represent a specific detail or feature included. Please contact us for additional configurations not shown here.

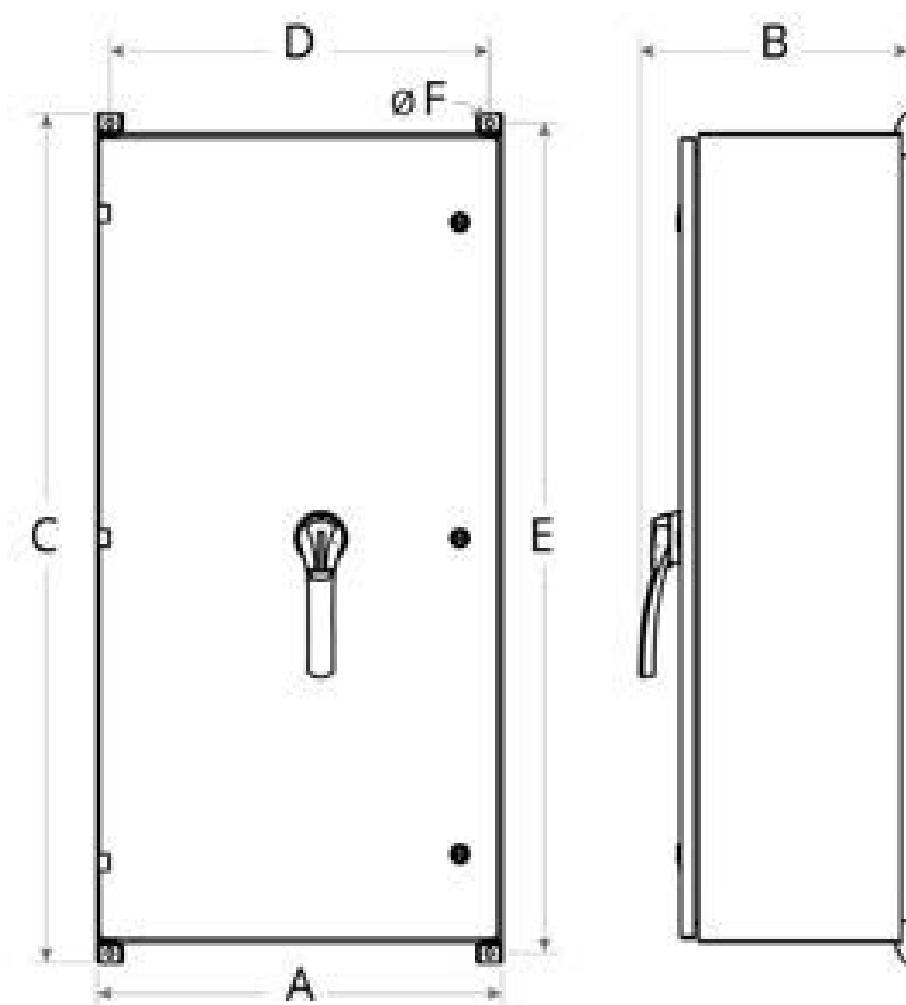
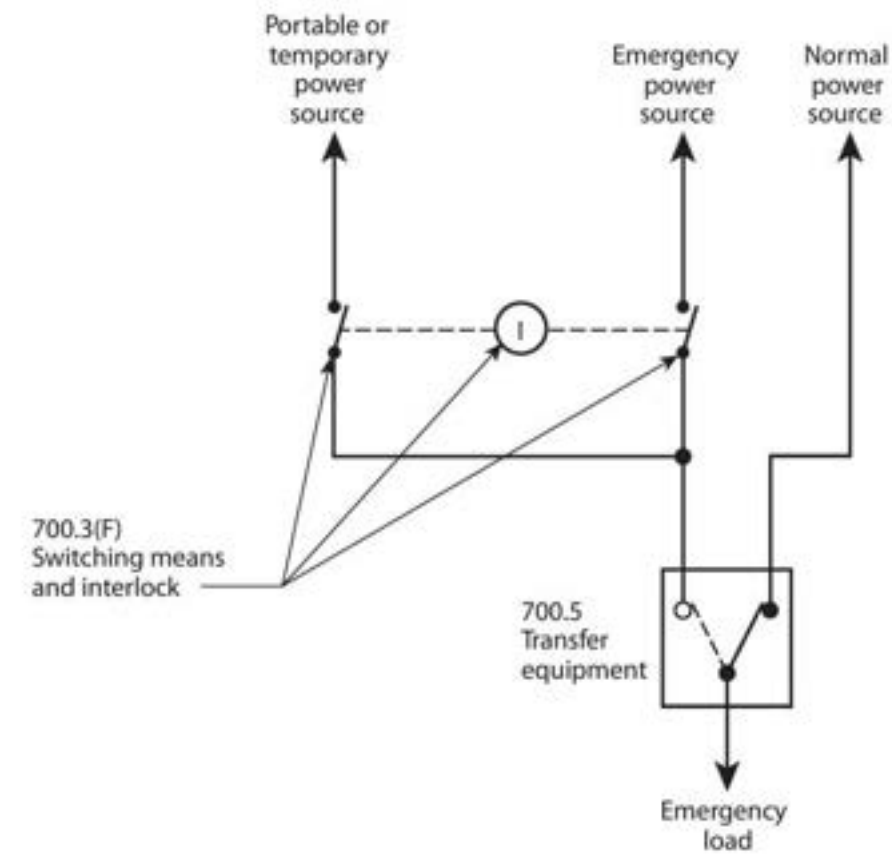
NAV - BPS - 1 B 12 AG 6 PV





## Features

- NEMA 3R (NEMA 4X available).
- Type: (A) Open transition (B) Closed transition.
- Current rating: 60A-1200A.
- Poles: 2, 3.
- Solid neutral.
- Service entrance rated available.
- Breaker type: (1) Thermal-magnetic molded case, (2) Electronic trip (LSI/LSIG).
- Interrupting rating: 65KAIC or 100KAIC.
- UL listed controller.
- User-friendly digital controller, factory-set with common time delays and setpoints.



## Features

- UL1008 listed manual transfer switch.
- Available for single phase and three phase power.
- Rotary operator handle mounted on door, lockable in three positions: On Line, Off, and On Auxiliary.
- NEMA Type 4/12 powder-coated steel wall-mount enclosure standard. 4X-316 stainless steel enclosures available.
- Compact, fully enclosed switching mechanism.
- 2-pole and 3-pole models furnished with solid neutral bar. 4-pole models equipped with switched neutral on fourth pole.
- Lugs factory installed for connection to switch poles.
- Factory installed auxiliary contacts for remote ON/OFF signaling or electrical interlocking.
- Suitable for indoor and outdoor installations.



**Description:**

Nav-Tech CT cabinets and service equipment are designed for utility-approved metering and service entrance applications. Available in indoor and outdoor configurations, these cabinets offer durable construction, flexible configurations, and compliance with UL and utility standards for high-capacity electrical installations.

**Contents:**

- Trans Sockets
- First Energy Trans Sockets





## Description

- Trans sockets combine the meter socket and transformer cabinet to provide more cost-effective metering. Trans sockets' single enclosure for current-transformer metering allows mounting of current transformers and test switches. Suitable for overhead or underground service.



## Features

- Only factory prefabricated knockouts on the enclosure shall be used.
- Trans "S" unit supplied with furnished meter pan and CT wiring upon utility approval.
- Security hardware to be provided for CT cabinet door and meter enclosure cover (to be installed by contractor).
- Cold sequence service requires a disconnect switch before the CT cabinet.
- Utility locking provisions available when required.
- Mount using prefabbed mounting holes or hanging brackets.
- Bus bar shall be silver or tin plated and shall be sized per the NEC.
- Cabinet shall be rated NEMA 3R and shall be constructed from code gauge galvanized or galvanized steel.
- Mounting: Units are furnished with 1/2"-13 studs, washers and hex nuts and bolt with lock washer for CT mounting.
- Lugs are provided and installed on the load and line side of the cabinet.
- Available in 6, 8, and 13 Terminal Socket configurations complete with prewired test switch.
- SCCR: These units have a 50K short circuit current withstand rating.
- Bus bar shall be mounted in the cabinet by means of standoff insulators or insulated mounting brackets. Insulating material shall conform to the applicable sections of UL 746 and UL 94. The cabinet shall be UL, Con Edison and NYC advisory board approved.

## Product Selection

Territory	Part Number	Wiring	Amperage (A)	Voltage (V)	Line/Load Connector	Phase	Enclosure Type	H x W x D (Inches)
Con Ed	NAV-CE-TS400-208-3	Prewired	400	250	(1) 600 MCM -#4 OR (2) 250 MCM -#4	3Ø	Outdoor	41" x 20" x 10"
Con Ed	NAV-CE-TS400-480-3	Prewired	400	480	(1) 600 MCM -#4 OR (2) 250 MCM -#4	3Ø	Outdoor	41" x 20" x 10"
Con Ed	NAV-CE-TS400-240-1	Prewired	400	250	(1) 600 MCM -#4 OR (2) 250 MCM -#4	1Ø	Outdoor	41" x 20" x 10"
Con Ed	NAV-CE-TS400-480-1	Prewired	400	480	(1) 600 MCM -#4 OR (2) 250 MCM -#4	1Ø	Outdoor	41" x 20" x 10"
Con Ed	NAV-CE-TS800-208-3	Prewired	800	250	(1) 600 MCM -#4 OR (2) 250 MCM -#4	3Ø	Outdoor	48" x 24" x 10"
Con Ed	NAV-CE-TS800-480-3	Prewired	800	480	(1) 600 MCM -#4 OR (2) 250 MCM -#4	3Ø	Outdoor	48" x 24" x 10"
Con Ed	NAV-CE-TS800-240-1	Prewired	800	250	(1) 600 MCM -#4 OR (2) 250 MCM -#4	1Ø	Outdoor	48" x 24" x 10"
Con Ed	NAV-CE-TS800-480-1	Prewired	800	480	(1) 600 MCM -#4 OR (2) 250 MCM -#4	1Ø	Outdoor	48" x 24" x 10"
PSEG LI	NAV-PG-TS400-208-3	Prewired	400	600	(1) 600 MCM -#4 OR (2) 250 MCM -#4	3Ø	Outdoor	41" x 20" x 10"
PSEG LI	NAV-PG-TS400-208-1	Prewired	400	600	(1) 600 MCM -#4 OR (2) 250 MCM -#4	1Ø	Outdoor	41" x 20" x 10"
PSEG LI	NAV-PG-AL350-1	Prewired	400	600	(2) 350 MCM-6 -#4	1Ø	Outdoor	41" x 20" x 10"
PSEG LI	NAV-PG-TS400-480-1	Prewired	400	600	(1) 600 MCM -#4 OR (2) 250 MCM -#4	1Ø	Outdoor	41" x 20" x 10"
PSEG LI	NAV-PG-TS800-208-3	Prewired	800	600	(1) 600 MCM -#4 OR (2) 250 MCM -#4	3Ø	Outdoor	48" x 24" x 10"
PSEG LI	NAV-PG-TS800-208-1	Prewired	800	600	(1) 600 MCM -#4 OR (2) 250 MCM -#4	1Ø	Outdoor	48" x 24" x 10"
Orange & Rockland	NAV-OR-TS400-208-3	Prewired	400	250	(1) 600 MCM -#4 OR (2) 250 MCM -#4	3Ø	Outdoor	41" x 20" x 10"
Orange & Rockland	NAV-OR-TS400-208-1	Prewired	400	250	(1) 600 MCM -#4 OR (2) 250 MCM -#4	1Ø	Outdoor	41" x 20" x 10"
Orange & Rockland	NAV-OR-TS800-208-3	Prewired	800	250	(1) 600 MCM -#4 OR (2) 250 MCM -#4	3Ø	Outdoor	48" x 24" x 10"
Orange & Rockland	NAV-OR-TS800-208-1	Prewired	800	250	(1) 600 MCM -#4 OR (2) 250 MCM -#4	1Ø	Outdoor	48" x 24" x 10"
Central Hudson	NAV-CH-TS800-208-1	Unwired	800	600	(1) 600 MCM -#4 OR (2) 250 MCM -#4	3Ø	Outdoor	48" x 24" x 10"
Central Hudson	NAV-CH-TS800-208-3	Unwired	800	600	(1) 600 MCM -#4 OR (2) 250 MCM -#4	1Ø	Outdoor	48" x 24" x 10"
PSEG LI	NAV-PG-RTS400-208-3	Remote Meter	400	600	(1) 600 MCM -#4 OR (2) 250 MCM -#4	3Ø	Outdoor	41" x 20" x 10"
PSEG LI	NAV-PG-RTS400-208-1	Remote Meter	400	600	(1) 600 MCM -#4 OR (2) 250 MCM -#4	1Ø	Outdoor	41" x 20" x 10"
PSEG LI	NAV-PG-RTS800-208-3	Remote Meter	800	600	(1) 600 MCM -#4 OR (2) 250 MCM -#4	3Ø	Outdoor	48" x 24" x 10"
PSEG LI	NAV-PG-RTS800-208-1	Remote Meter	800	600	(1) 600 MCM -#4 OR (2) 250 MCM -#4	1Ø	Outdoor	48" x 24" x 10"
First Energy	NAV-FE-TS800-1H	Prewired	800	600	2 Sets 600MCM	1Ø	Outdoor	36" x 47" x 12"
First Energy	NAV-FE-TS800-3H	Prewired	800	600	2 Sets 600MCM	3Ø	Outdoor	36" x 47" x 12"





## Features

- Only factory prefabricated knockouts on the enclosure shall be used.
- Trans "S" unit supplied with furnished meter pan and CT wiring upon utility approval.
- Security hardware to be provided for CT cabinet door and meter enclosure cover (to be installed by contractor).
- Cold sequence service requires a disconnect switch before the CT cabinet.
- Utility locking provisions available when required.
- Mount using prefabbed mounting holes or hanging brackets.
- Bus bar shall be silver or tin plated and shall be sized per the NEC.
- Cabinet shall be rated NEMA 3R and shall be constructed from code gauge galvanized or galvanized steel.
- Mounting: Units are furnished with 1/2"-13 studs, washers and hex nuts and bolt with lock washer for CT mounting.
- Lugs are provided and installed on the load and line side of the cabinet.
- Available in 6, 8, and 13 Terminal Socket configurations complete with prewired test switch.
- SCCR: These units have a 100K short circuit current withstand rating.
- Bus bar shall be mounted in the cabinet by means of standoff insulators or insulated mounting brackets. Insulating material shall conform to the applicable sections of UL 746 and UL 94. The cabinet shall be UL, Con Edison and NYC advisory board approved.
- 400A MAX disconnects available.
- Listed per UL Standard 90, enclosed and dead front switches.
- UL service entrance rated when installed in accordance with the National Electrical Code.
- Disconnect switches are fused (fusible down to 225A). Fuses sold separately.
- Heavy duty rated.
- 3P – 4W configuration.
- Line side top configuration or line bottom configuration available.

# Con Ed Approved CT Cabinet with Main Disconnect

	Utility Spec.	Part Number	Size (H x W x D)	Volts	Amps
Con Edison	745	TS/SW 400-240-B	70x20x10.81	240	400
	745	TS/SW 400-240-T	65x20x10.81	240	400
	745	TS/SW 400-480-B	65x20x11	480	400
	745	TS/SW 400-480-T	70x20x11	480	400
		TS/SW 600-240-B	82x24x12.125	240	600
		TS/SW 600-240-T	76x20x12.125	240	600
		TS/SW 600-480-B	76x20x12	480	600
		TS/SW 600-480-T	82x24x12	480	600
	750	TS/SW 800-240-B	82x24x12.125	240	800
	750	TS/SW 800-240-T	76x20x12.125	240	800
	750	TS/SW 800-480-B	76x20x12	480	800
	750	TS/SW 800-480-T	82x24x12	480	800
PSEG LI		TS/SW-400-240T(3) LI	65x20x11	600	400
		TS/SW-400-240B(3) LI	70x20x11	600	400
		TS/SW-600-240T(3) LI	82x24x12	600	600
		TS/SW-600-240B(3) LI	76x24x12	600	600
		TS/SW-800-240T(3) LI	82x24x12	600	800
		TS/SW-800-240B(3) LI	76x20x12	600	800

**\*\*XX Would be substituted for the amperage of the box. (I.E. 2000A w “20” instead of “XX”)**



\*First Energy territories include: Jersey Central Power & Light, The Illuminating Company, Toledo Edison, Met-ed, Penelec, Penn Power, West Penn Power, Ohio Edison, Mon Power, Potomac Edison.



## Description

- Trans sockets combine the meter socket and transformer cabinet to provide more cost-effective metering. Trans sockets' single enclosure for current-transformer metering allows mounting of current transformers and test switches. Suitable for overhead or underground service.



## Features

- Trans socket unit supplied with furnished meter pan and CT wiring upon utility approval.
- Security hardware to be provided for CT cabinet door and meter enclosure cover (to be installed by contractor).
- Cold sequence service requires a disconnect switch before the CT cabinet.
- Bus bar shall be silver or tin plated and shall be sized per the NEC.
- Cabinet shall be rated NEMA 3R and shall be constructed from code gauge galvanized or galvanized steel.
- Available in 1 and 3 phase configurations complete with prewired test switch.
- SCCR: These units have a 50K short circuit current withstand rating.
- Bus bar shall be mounted in the cabinet by means of standoff insulators or insulated mounting brackets. Insulating material shall conform to the applicable sections of UL 746 and UL 94.
- For use with both first energy bar or window style CT's.

Part Number	Wiring	Amperage (A)	Voltage (V)	Line/Load	Phase (Ø)	Enclosure Type	H x W x D (Inches)
NAV-FE-TS800-1H	Prewired	200-800	600	(2) 600 MCM -#4	1	Outdoor	36" x 47" x 12"
NAV-FE-TS800-3H	Prewired	200-800	600	(2) 600 MCM -#4	3	Outdoor	36" x 47" x 12"



## Features

- Indoor type 1 & outdoor type 3R construction available.
- AFGFR (Arc Flash Reduction & Ground Fault Protection) is available by request.
- Industry standard ANSI 61 baked enamel powder coat finish.
- Bar style & window style CT cabinets per utility requirements.
- 600 MCM line/load lugs come standard on CT cabinets. Larger or smaller lugs available upon request.
- Silver flashed & bare copper bus available in 2" to 6" widths.
- Zinc plated hardware is standard, stainless steel hardware available by request.
- Padlockable handle with 3pt catch standard for CT compartment.
- Units rated up to 400A, 600V MAX
- Disconnects listed per UL Standard 90, enclosed and dead front switches.
- Heavy duty rated.
- Padlockable when off is standard. Padlockable on available by request.
- Underground and overhead exit/entry.
- Neutral to ground bonding kit included standard.
- Line side top configuration or line bottom configuration available.
- Disconnect switches are fused.
- All cabinets are UL Listed.
- For a list of utility approved cabinets, see Nav-Tech Catalog.
- For specs of individual utility cabinets, consult Nav-Tech.

## Product Selection

	Part Number	Amperage (A)	Voltage (V)	Type	H x W x D (Inches)	Line/Load
298CTSW	NAV-298CTSW-XXB*	1200-1600	240 MAX	Hot Sequence, Bottom Fed	90 x 36 x 18	4 Sets 600 MCM
	NAV-298CTSW-XXT*	1200-1600	240 MAX	Hot Sequence, Top Fed	90 x 36 x 18	4 Sets 600 MCM
	NAV-298CTSW-XXB-CS*	1200-1600	600 MAX	Cold Sequence, Bottom Fed	90 x 36 x 18	4 Sets 600 MCM
	NAV-298CTSW-XXT-CS*	1200-1600	600 MAX	Cold Sequence, Top Fed	90 x 36 x 18	4 Sets 600 MCM
377CTSW	NAV-377CTSW-XXB*	1600-4000	240 MAX	Hot Sequence, Bottom Fed	90 x 50 x 20	Up to 10 Sets 600 MCM
	NAV-377CTSW-XXT*	1600-4000	240 MAX	Hot Sequence, Top Fed	90 x 50 x 20	Up to 10 Sets 600 MCM
	NAV-377CTSW-XXB-CS*	1600-4000	600 MAX	Cold Sequence, Bottom Fed	90 x 50 x 20	Up to 10 Sets 600 MCM
	NAV-377CTSW-XXT-CS*	1600-4000	600 MAX	Cold Sequence, Top Fed	90 x 50 x 20	Up to 10 Sets 600 MCM

**\*\*XX Would be substituted for the amperage of the box. (I.E. 2000A w "20" instead of "XX")**





## Features

- Rigid frame construction with isolated bus and breaker assemblies.
- Bus tied or cable tied configurations available for expedited lead times or space constraints.
- Utility pre-approved ct compartments for PSEG LI, Con Edison, First Energy and more.
- Fixed-mount or draw-out breakers for mains and feeders.
- Breaker choices: thermal-magnetic or electronic, 80% or 100% rated.
- Fusible switch or breaker/switch combination options.
- Integrated solutions: ATS, SPD, transformers, automation, metering & monitoring.
- Wide range of UL-listed breaker and fuse options.
- Voltage ratings up to 600 VAC / 250 VDC.
- Ampacity range from 400A to 5000A.
- Short-circuit ratings up to 100K AIC at 480V / 100kA at 600V.
- Type 1 or 3R enclosures with ANSI 61 or optional colors.
- Front, rear, and side accessibility.
- Copper or aluminum bus options with custom sheet-metal/bus configurations.

## DESCRIPTION

Every MR line configuration is UL 891 listed, offering the flexibility of a custom design within a standardized framework. With multiple structure options available, we can build and ship your order in rapid fashion - as little as 12 weeks

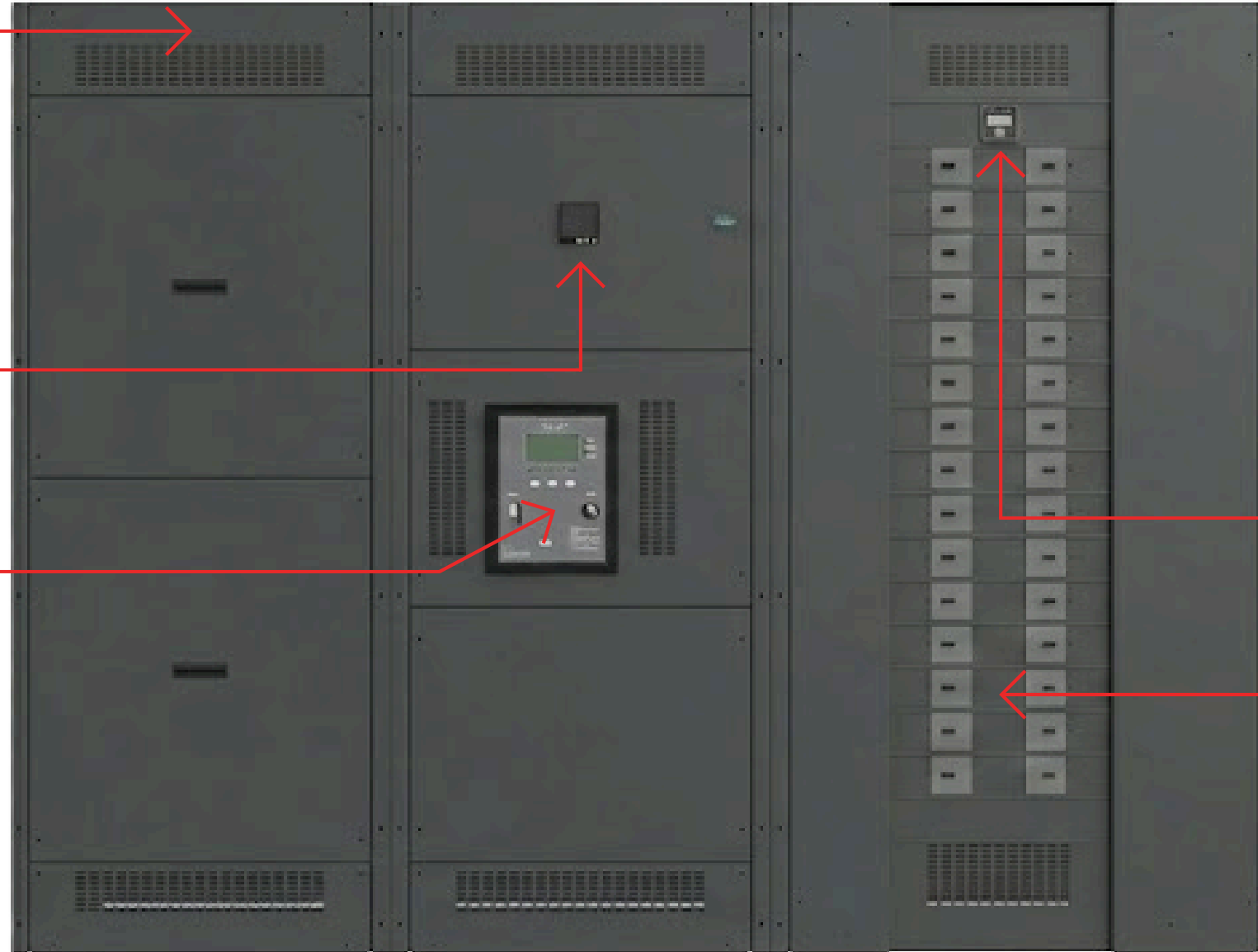
### Enclosure Construction

- NEMA Type 1
- Hot Rolled Steel
- Front Access Only
- NEMA Type 3R (Includes Space Heater)
- ANSI-61 Gray Polyester Powder Coat

### \*Digital Meter

### Main Breaker

- 2000A - 4000A
- Fixed or Drawout
- 65kAIC Withstand Rating
- See Back for Details



### \*Surge Protection Device

- Available in 300kA

### Feeder Breakers

- Up to 1200A
- 3 Pole
- Adjustable Electronic Trip

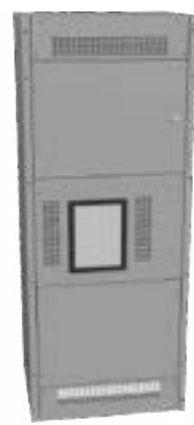
\* Indicates Optional Accessory

## STRUCTURE TYPES



### Main Lug Only

- Available as Cable Pull Section
- Optional Local Utility Metering
- 300-800 MCM Mechanical Lugs



### Main Breaker

- 2000A - 4000A
- Fixed or Drawout
- Optional Service Entrance Rated
- LSIG Trip & ARMS



### Individually Mounted Feeder

- Fixed or Drawout
- 2500A & Below - Max Two per Section
- 3000A & Above - Max One per Section



### 50X Feeder Chassis

- Molded Case Breakers
- Ampacities Up to 1200A
- Available as 3 Pole
- Adjustable Electronic Trip



### Temporary Connections

- Male or Female Camlock Receptacles
- Optional Disconnect Breaker
- Snap Covers

## MAIN BREAKER & INDIVIDUALLY MOUNTED FEEDER

Breaker Frame Size	Part Adjustable Trip Range	Kaic @480V	Trip Unit	Standard Lugs Per Phase & Neutral
2000A	200A-2000A	65	LSIG	(6) 300-800MCM
2500A	200A-2500A	65	LSIG	(8) 300-800MCM
3200A	200A-3200A	65	LSIG	(10) 300-800MCM
4000A	800A-4000A	100	LSIG	(12) 300-800MCM

- Main Breaker: Neutral CT included on 4-wire systems
- Individually Mounted Feeder: Neutral CT available as optional accessory
- All breakers include ARMS
- LSIG Trip: Ground Fault Enable/Disable

## FEEDER BREAKER

Breaker Frame Size	Trip Unit	Part Adjustable Trip Range	Standard Lugs Per Phase	Optional Lugs Per Phase
125A	Fixed thermal magnetic is standard adjustable electrical trip available upon request	40-100A	(1) #14-4/0	(6) 300-800MCM
250A		100-250A	(1) #14-4/0	(8) 300-800MCM
400A		160A-400A	(2) 3/0 - 250MCM	(10) 300-800MCM
600A		250A-600A	(2) 3/0 - 250MCM	(12) 300-800MCM
800A		320A-800A	(2) 500 - 750MCM	N/A
1200A		500A-1500A	(3) 500 - 750MCM	(3) 3/0 - 400MCM

- Ground and Neutral lugs not included
- 1200A Feeder Breaker: Neutral CT available as optional accessory
- 1200A Feeder Breaker includes ARMS upon request
- LSIG Trip: Ground Fault Enable/Disable

### NEMA TYPE 1 DIMENSIONS

Ampacity (A)	Breaker Type	H	W	D
2000-3200A	Fixed	90"	36"	30"
4000A	Fixed	90"	48"	36"
2000-3200A	Drawout	90"	36"	48"
4000A	Drawout	90"	48"	48"

- Dimensions approximate
- Widths based on Main Breaker structure

### NEMA TYPE 3R DIMENSIONS

Ampacity (A)	Breaker Type	H	W	D
2000-3200A	Fixed	90"	36"	30"
4000A	Fixed	90"	48"	36"
2000-3200A	Drawout	90"	36"	48"
4000A	Drawout	90"	48"	48"

- Dimensions approximate
- Widths based on Main Breaker structure

## MAIN VACU-BREAK DISCONNECT

Amperage (A)	KAIC @480V	Fuse Class	Standard Lugs
400	100	Class J	(2) 500MCM
600	100	Class J	(2) 500MCM
800	100	Class J	(2) 500MCM
1200	100	Class J	(2) 500MCM

## BRANCH DISCONNECT

Amperage (A)	KAIC @480V	Fuse Class	Standard Lugs
30-30	100k w/Class R	Class R	(1)#4
30-60	100k w/Class R	Class R	(1)#2
60-60	100k w/Class R	Class R	(1)#2
100-60	100k w/Class R	Class R	(1) 1/0
100-100	100k w/Class R	Class R	(1) 1/0
200-200	100k w/Class R	Class R	(1)300MCM
400	100k w/Class J	Class J	(2)500MCM
600	100k w/Class J	Class J	(2)500MCM
800	100k w/Class L	Class L	(3)500MCM
1200	100k w/Class L	Class L	(3)750MCM or (4)500MCM

### Notes:

- Top or bottom feed available
- NEMA 1, 3R, 4X, 12 construction available
- SPD integration available
- Feed through configuration available

## MAIN SWITCH SECTIONS

### Notes:

- Bus tied or standalone main disconnects available.
- Bolted pressure switch or high pressure contact switching.
- Fuseable 200kAIC interruption rating up to 600V.
- Available with integrated SPD, arc flash & ground fault protection.
- 400 – 4000 Amps.

## Features

- Nav-Tech Rapid Panelboard Program enables quick power distribution solutions at competitive prices.
- Arc flash, ground fault and SPD integrations available upon request but may extend lead time.
- Rapid panel programs ship in 4 weeks or less.
- Main lug and main breaker options available.
- Branch circuits: Thermal magnetic fixed trip MCCB or Vacu-Break disconnects



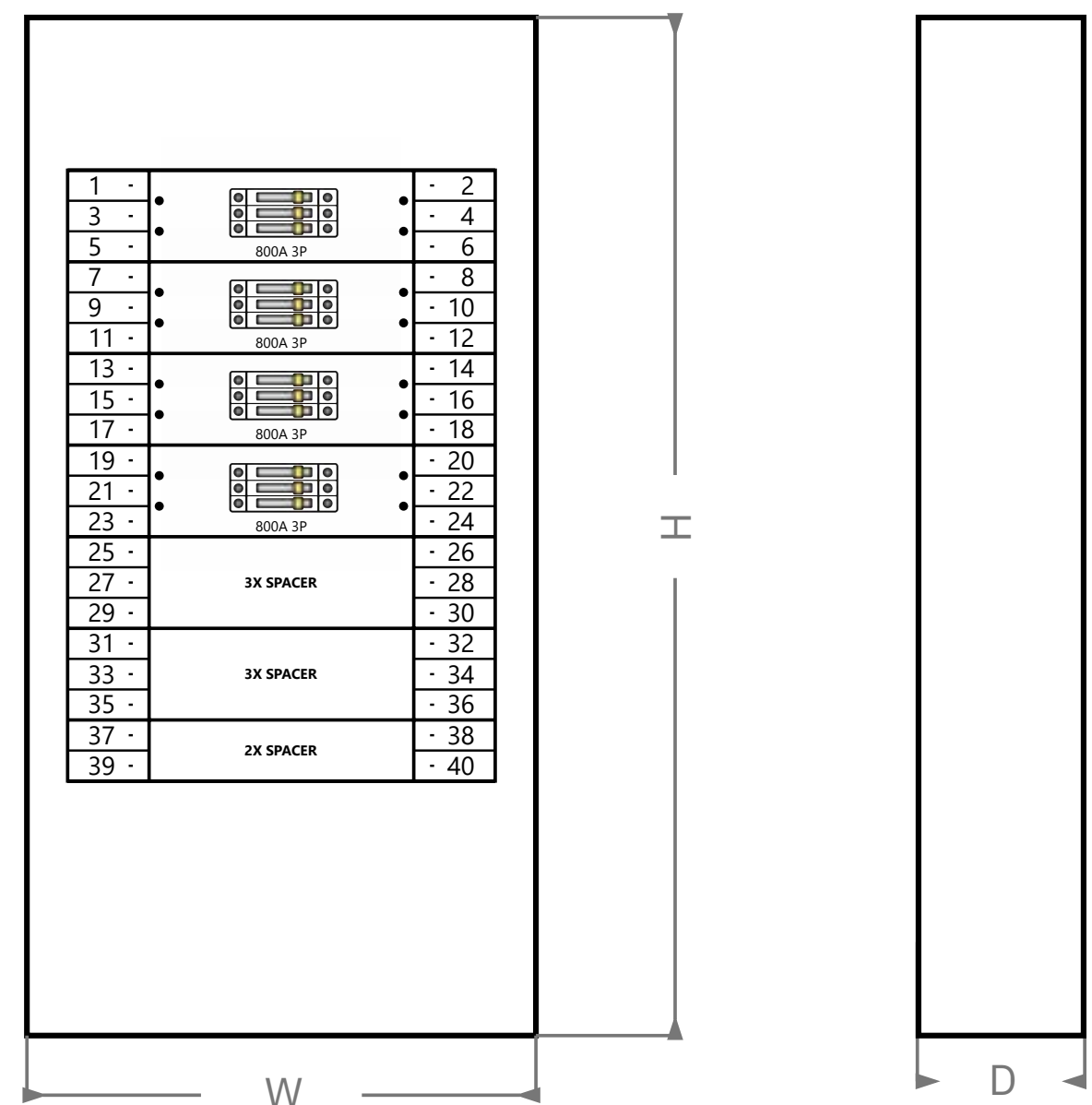
Rapid Ratings	
Amps	400 - 2000A
Volts	120/208 277/480
AIC	Up to 100k
Bus Bar	Tinned copper
Enclosure Type	1, 3R
Feed Type	Main lug, Main breaker up to 1600A
Branch Circuits	Thermal magnetic fixed trip MCCB or Vaccu-break disconnects



FRONT

SIDE

Rapid Frame Sizes		
H (in)	W (in)	D (in)
65	36	13
75	36	13
75	45	13
90	45	13





## Description

- The tap box is a great option for multi-tenant applications, taking power from utilities and distributing it to multiple end users. A three-point latching system and padlockable cabinet provide a secure enclosure.



## Features

- Padlockable, three-point latching mechanism comes standard with all units
- Additional penta bolt locking mechanism (optional) to further protect against power theft
- Wall- or pad-mount installation options
- Stainless steel hardware kit included for pad-mount installation
- Lightweight aluminum enclosure
- Select models have a smaller footprint; ideal for applications with limited space
- NEMA 3R and NEMA 1 rated
- Aluminum powder coat paint finish helps prevent corrosion
- Multi-port ground lugs included
- Ideal for housing developments, strip malls & apartment buildings
- UL listed

Part Number	Wiring	Amperage (A)	Enclosure Type	Poles	H x W x D (Inches)
NAV-FAB-884	Prewired	30	Indoor	3 Pole	8" x 8" x 4"
NAV-FAB-1284	Prewired	60	Outdoor	3 Pole	12" x 8" x 4"
NAV-FAB-12124	Prewired	30	Indoor	3 Pole	12" x 12" x 4"
NAV-FAB-16164	Prewired	30	Indoor	8 Pole	16" x 16" x 4"
NAV-FAB-24204	Prewired	30	Indoor	12 Pole	24" x 20" x 4"
NAV-FAB-12B-60A	Prewired	60	Indoor	12 Pole	30" x 30" x 4"



## Features (Boxes and Panels)

- Hinge cover box.
- Cam lock with Cat. 45 key.
- Mounted in box.
  - A. 250 or 480V fuse holders.
  - B. Solid removable copper neutral.
  - C. Neutral bars available upon request.
- Electrostatically applied powder coat red finish
- Other sizes and configurations available upon request.
- Indoor or weatherproof construction.

## Features (Panels only)

- Panelboard bus bar construction.
- Main lug line provisions.
- Plexiglass dead front safety cover.
- Hinged main door and hinged inner access door.

## Product Selection

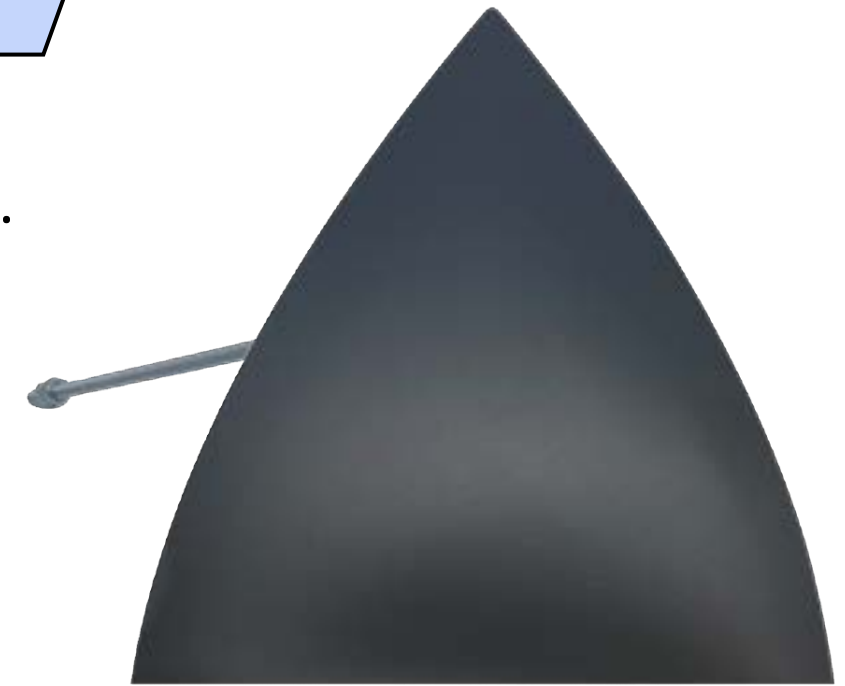
	Part #	Size (Inches)	Amps (A)	Poles	Finish
<b>Boxes</b>	FAB 884	8 × 8 × 4	30	4	Powder Coated Red
	FAB 1284	12 × 8 × 4	60	3	Powder Coated Red
	FAB 12124	12 × 12 × 4	30	6	Powder Coated Red
	FAB 16164	16 × 16 × 4	30	8	Powder Coated Red
	FAB 24204	24 × 20 × 4	30	12	Powder Coated Red
	FAB-12P-60A	30 × 30 × 4	60	12	Powder Coated Red

	Part #	Size (Inches)	Amps (A)	Voltage (V)	Fuse	Finish
<b>Control Panels</b>	NAV-FACP-12C30A	30 × 24 × 6	30	600	H or R	Powder Coated Red
	NAV-FACP-24C30A	30 × 24 × 6	30	600	H or R	Powder Coated Red
	NAV-FACP-36C30A	30 × 24 × 6	30	600	H or R	Powder Coated Red



## Triangle Elevator Mirror

- Elevator mirrors, now being mandatory in many states and municipalities, are compliant to suit your elevator application.
- Designed to fit in a corner.
- Heavy duty construction.
- Mounting hardware included.



Part Number	Description	Box Qty.
EM	10" Description	20

## Screw Terminal Junction Boxes

- Comes fully assembled with covers and terminals. Fabricated in accordance with UL specification from code gauge steel.
- Steel thickness/gauge standard.
- Flat, removed covers fastened with plated steel screws.
- Mounting holes on back of box.



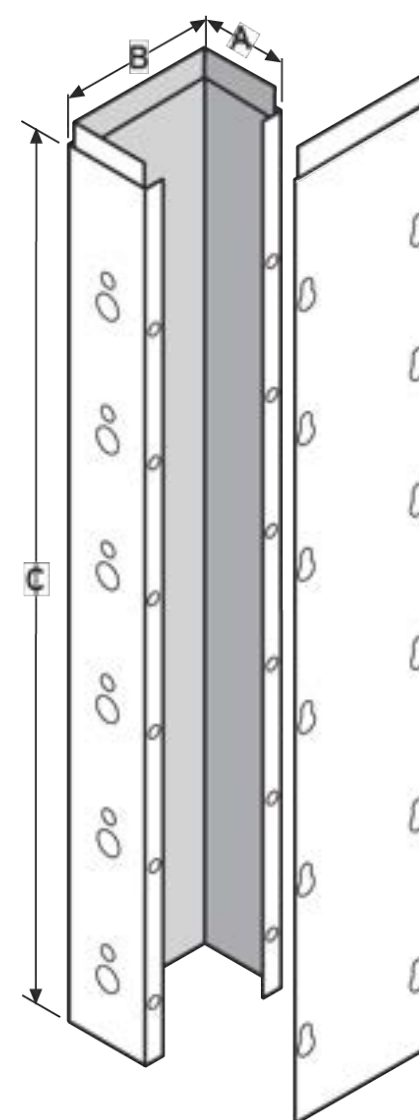
Part Number	Description	Box Qty.
36CIR	36 13-1/2"H x 8-1/2"W x 3-1/2"D	1
72CIR	72 24"H x 8-1/2"W x 3-1/2"D	1
108CIR	108 36"H x 8-1/2"W x 3-1/2"D	1

Part Number	Description	Box Qty.
36CIR-KIT	36 13-1/2"H x 8-1/2"W x 3-1/2"D	1
72CIR-KIT	72 24"H x 8-1/2"W x 3-1/2"D	1
108CIR-KIT	108 36"H x 8-1/2"W x 3-1/2"D	1

### Galvanized Steel Trough with Covers

- Wireway comes with (2) 5' covers, #10-32 hex head screws and screw protection and spot-welded coupling on one end. Uniform knockouts (2) 1/2" and (1) 3/4" every 12".
- Hot dipped, mill galvanized.
- 16-gauge sheet metal.
- UL 870 to meet elevator industry standard.

Part Number	Dim A	Dim B	Use With Steel Trough	Box Qty
ET-2525-45C	2-1/2"	2-1/2"	ET-2525120	1
ET-254-45C	2-1/2"	4"	ET-254120	1
ET-256-45C	2-1/2"	6"	ET-256120	1
ET-258-45C	2-1/2"	8"	ET-258120	1
ET-44-45C	4"	4"	ET-44120	1
ET-46-45C	4"	6"	ET-46120	1
ET-48-45C	4"	8"	ET-48120	1
ET-66-45C	6"	6"	ET-66120	1
ET-88-45C	8"	8"	ET-88120	1



## 45° Elbow Type C

- Hot dipped, mill galvanized.
- 16-gauge sheet metal.
- Uniform slots 3/4" by 1/4".
- Standard connector slots #10, 5/16" hex head.
- Screws on side panels.
- Screw protection provided.

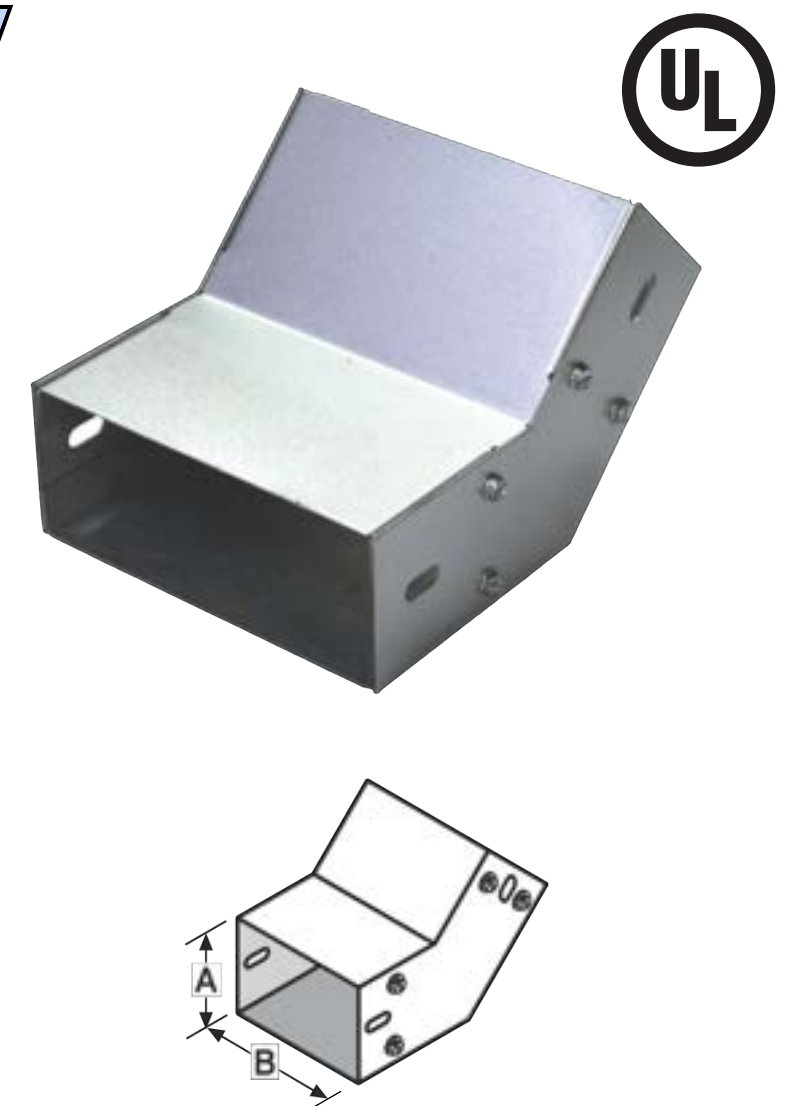
Part Number	Dim A	Dim B	Use With Steel Trough	Box Qty
ET-425-45D	2-1/2"	4"	ET-254120	1
ET-625-45D	2-1/2"	6"	ET-256120	1
ET-825-45D	2-1/2"	8"	ET-258120	1
ET-64-45D	4"	6"	ET-46120	1
ET-84-45D	4"	8"	ET-48120	1



## 45° Elbow Type D

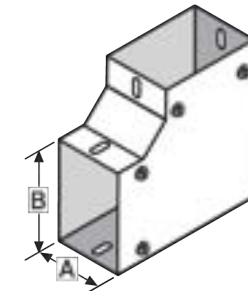
- Hot dipped, mill galvanized.
- 16-gauge sheet metal.
- Uniform slots 3/4" by 1/4".
- Standard connector slots #10, 5/16" hex head.
- Screws on side panels.
- Screw protection provided.

Part Number	Dim A	Dim B	Use With Steel Trough	Box Qty
ET-425-TD	2-1/2"	4"	ET-254120	1
ET-625-TD	2-1/2"	6"	ET-256120	1
ET-825-TD	2-1/2"	8"	ET-258120	1
ET-64-TD	4"	6"	ET-46120	1
ET-84-TD	4"	8"	ET-84120	1



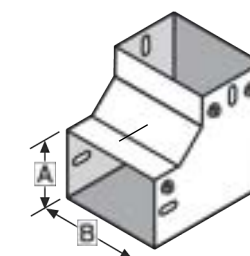
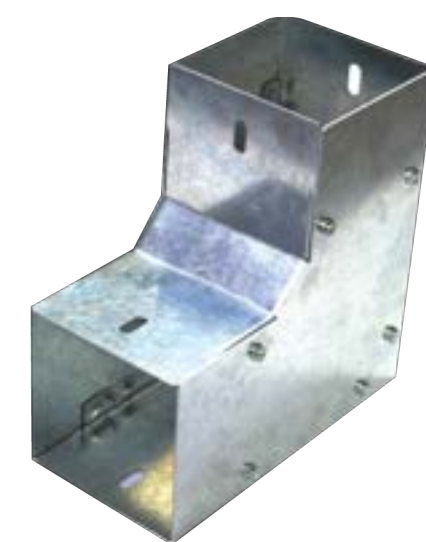
### 90° Elbow Type C

- Hot dipped, mill galvanized.
- 16-gauge sheet metal.
- Uniform slots 3/4" by 1/4".
- Standard connector slots #10, 5/16" hex head.
- Screws on side panels.
- Screw protection provided.



### 90° Elbow Type D

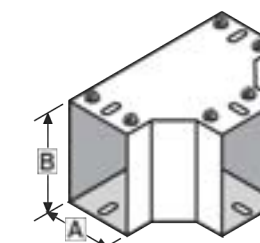
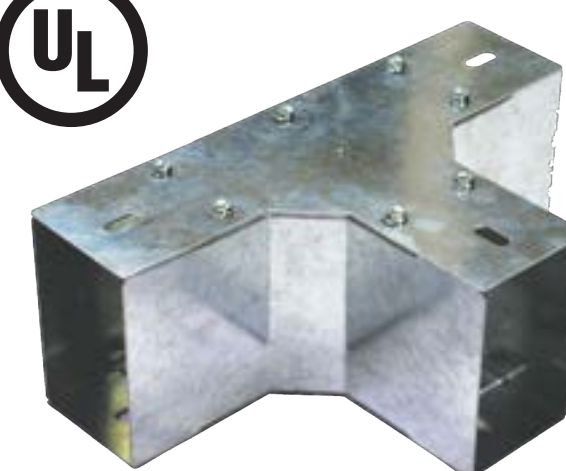
- Hot dipped, mill galvanized.
- 16-gauge sheet metal.
- Uniform slots 3/4" by 1/4".
- Standard connector slots #10, 5/16" hex head.
- Screws on side panels.
- Screw protection provided.



Part Number	Dim A	Dim B	Use With Steel Trough	Box Qty
ET-425-45D	2-1/2"	4"	ET-254120	1
ET-625-45D	2-1/2"	6"	ET-256120	1
ET-825-45D	2-1/2"	8"	ET-258120	1
ET-64-45D	4"	6"	ET-46120	1
ET-84-45D	4"	8"	ET-48120	1

## Tee Type C

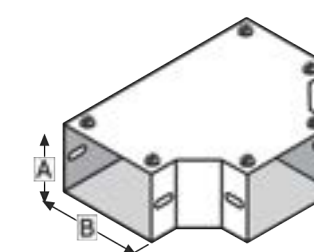
- Hot dipped, mill galvanized.
- 16-gauge sheet metal.
- Uniform slots 3/4" by 1/4".
- Standard connector slots #10, 5/16" hex head.
- Screws on side panels.
- Screw protection provided.



Part Number	Dim A	Dim B	Use With Steel Trough	Box Qty
ET-2525-TC	2-1/2"	2-1/2"	ET-2525120	1
ET-254-TC	2-1/2"	4"	ET-254120	1
ET-256-TC	2-1/2"	6"	ET-256120	1
ET-258-TC	2-1/2"	8"	ET-258120	1
ET-44-TC	4"	4"	ET-44120	1
ET-46-TC	4"	6"	ET-46120	1
ET-48-TC	4"	8"	ET-48120	1
ET-66-TC	6"	6"	ET-66120	1
ET-88-TC	8"	8"	ET-88120	1

## Tee Type D

- Hot dipped, mill galvanized.
- 16-gauge sheet metal.
- Uniform slots 3/4" by 1/4".
- Standard connector slots #10, 5/16" hex head.
- Screws on side panels.
- Screw protection provided.

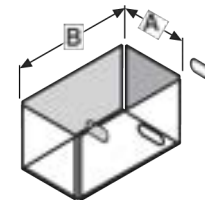


Part Number	Dim A	Dim B	Use With Steel Trough	Box Qty
ET-425-TD	2-1/2"	4"	ET-254120	1
ET-625-TD	2-1/2"	6"	ET-256120	1
ET-825-TD	2-1/2"	8"	ET-258120	1
ET-64-TD	4"	6"	ET-46120	1
ET-84-TD	4"	8"	ET-84120	1

## End Plates

- Hot dipped, mill galvanized.
- 16-gauge sheet metal.
- Uniform slots 3/4" by 1/4".
- Standard connector slots #10, 5/16" hex head.
- Screws on side panels.
- Screw protection provided.

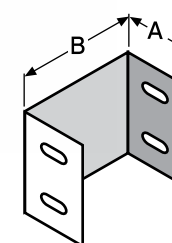
Part Number	Trade Size	Dim A	Dim B	Box Qty
ET-2525E	2-1/2" x 2-1/2"	2-1/8"	2-7/16"	1
ET-254E	2-1/2" x 4"	2-1/8"	3-15/16"	1
ET-256E	2-1/2" x 6"	2-1/8"	5-15/16"	1
ET-258E	2-1/2" x 8"	2-1/8"	7-15/16"	1
ET-44E	4" x 4"	3-5/8"	3-15/16"	1
ET-46E	4" x 6"	3-5/8"	5-15/16"	1
ET-48E	4" x 8"	3-5/8"	7-15/16"	1
ET-66E	6" x 6"	5-5/8"	5-15/16"	1
ET-88E	8" x 8"	7-5/8"	7-15/16"	1



## Couplings

- Hot dipped, mill galvanized.
- 16-gauge sheet metal.
- Uniform slots 3/4" by 1/4".
- Standard connector slots #10, 5/16" hex head.
- Screws on side panels.
- Screw protection provided.

Part Number	Trade Size	Dim A	Dim B	Box Qty
ET-2525E	2-1/2" x 2-1/2"	2-1/8"	2-7/16"	1
ET-254E	2-1/2" x 4"	2-1/8"	3-15/16"	1
ET-256E	2-1/2" x 6"	2-1/8"	5-15/16"	1
ET-258E	2-1/2" x 8"	2-1/8"	7-15/16"	1
ET-44E	4" x 4"	3-5/8"	3-15/16"	1
ET-46E	4" x 6"	3-5/8"	5-15/16"	1
ET-48E	4" x 8"	3-5/8"	7-15/16"	1
ET-66E	6" x 6"	5-5/8"	5-15/16"	1
ET-88E	8" x 8"	7-5/8"	7-15/16"	1



## Insulated Bushings

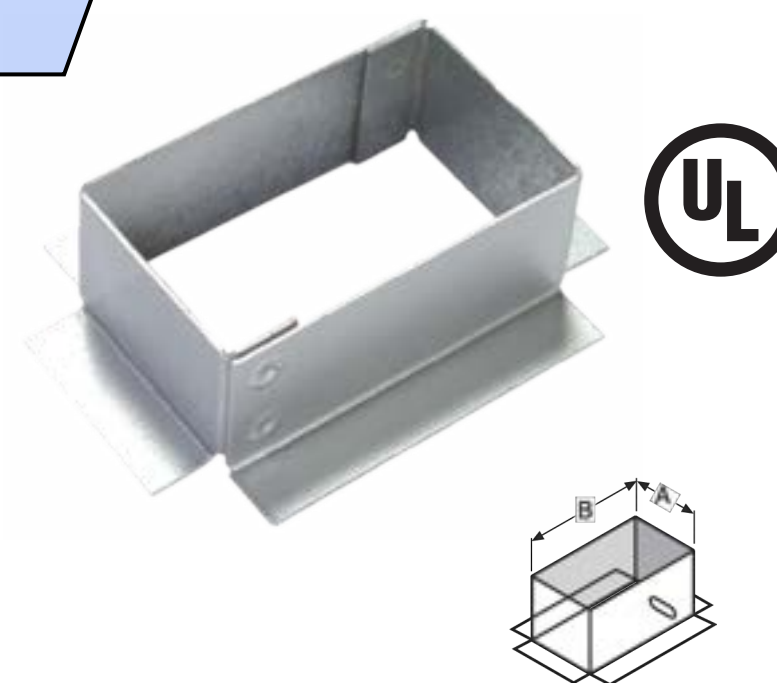
- Hot dipped, mill galvanized.
- 16-gauge sheet metal.
- Uniform slots 3/4" by 1/4".
- Standard connector slots #10, 5/16" hex head.
- Screws on side panels.
- Screw protection provided.



Part Number	Trade Size	Dim A	Dim B	Box Qty
ET-2525IB	2-1/2" x 2-1/2"	2-1/8"	2-7/16"	1
ET-254IB	2-1/2" x 4"	2-1/8"	3-15/16"	1
ET-256IB	2-1/2" x 6"	2-1/8"	5-15/16"	1
ET-258IB	2-1/2" x 8"	2-1/8"	7-15/16"	1
ET-44IB	4" x 4"	3-5/8"	3-15/16"	1
ET-46IB	4" x 6"	3-5/8"	5-15/16"	1
ET-48IB	4" x 8"	3-5/8"	7-15/16"	1
ET-66IB	6" x 6"	5-5/8"	5-15/16"	1
ET-88IB	8" x 8"	7-5/8"	7-15/16"	1

## Panel Connectors

- Hot dipped, mill galvanized.
- 16-gauge sheet metal.
- Uniform slots 3/4" by 1/4".
- Standard connector slots #10, 5/16" hex head.
- Screws on side panels.
- Screw protection provided.



Part Number	Trade Size	Dim A	Dim B	Box Qty
ET-2525PA	2-1/2" x 2-1/2"	2-1/8"	2-7/16"	1
ET-254PA	2-1/2" x 4"	2-1/8"	3-15/16"	1
ET-256PA	2-1/2" x 6"	2-1/8"	5-15/16"	1
ET-258PA	2-1/2" x 8"	2-1/8"	7-15/16"	1
ET-44PA	4" x 4"	3-5/8"	3-15/16"	1
ET-46PA	4" x 6"	3-5/8"	5-15/16"	1
ET-48PA	4" x 8"	3-5/8"	7-15/16"	1
ET-66PA	6" x 6"	5-5/8"	5-15/16"	1
ET-88PA	8" x 8"	7-5/8"	7-15/16"	1

### Trough with Covers

- 16-gauge sheet metal mill galvanized.
- Finish: ANSI61 color, semi-gloss.
- Boxes are chemically treated and powder coated with pure polyester powder.
- (2) 1/2", (2) 3/4" and (1) 1" knockouts.
- Wireway comes with (1) 5' covers #10-32 hex head screws.



Part Number	Description	Box Qty
T445	NEMA 1 4" x 4" x 60"	1
T445NK	NEMA 1 4" x 4" x 60" (No Knockout)	1

### Trough End Caps

- 16-gauge sheet metal mill galvanized.
- Finish: ANSI61 color, semi-gloss.
- Boxes are chemically treated and powder coated with pure polyester powder.



Part Number	Description	Box Qty
T4E	4" x 4"	1
T4ENK	4" x 4" (No Knockout)	1

### Universal Trough Couplings

- 16-gauge sheet metal mill galvanized.



Part Number	Description	Box Qty
T4C	4" x 4"	1

## Ground Fault Receptacles

- New labor saving feature, easier installation.
- Tamper resistant and provides 15A/120V AC Max/20A protection.
- Side and back wire.
- LED trip indicator and reset/test buttons.
- Wall plate included.

Part Number	Description	Box Qty
ARK15-TR-W	4" x 4"	1
T4ENK	4" x 4" (No Knockout)	1



## Incandescent Lamp Holder

- One piece aluminum screw shell construction.
- Medium base.
- Fits 3-1/4" or 4" Round box.
- 660W-250V.
- Includes conductor lead and mounting screws.

Part Number	Description	Box Qty
G1634FGL	FG Keyless Lamp Holder with Conductor Leads	1



## Metal Lamp Holder

- Heavy-duty, zinc-plated construction ensures long life.
- Helps prevent breakage and theft.
- 200 watt max type "A."

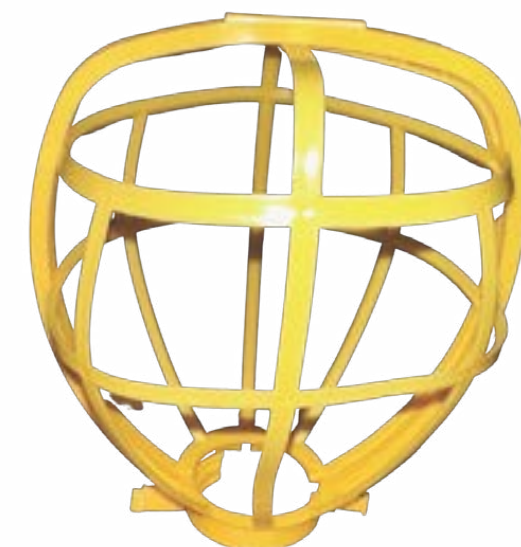
Part Number	Description	Box Qty
BCAGE	Metal Lamp Guard	100



## Plastic Lamp Guards

- High strength, high temperature impact-resistant thermoplastic.
- Fits ceiling, rubber, phenolic pigtailed.
- Easy-open guard for re-lamping without removing guard.
- 200 watt max type "A23."

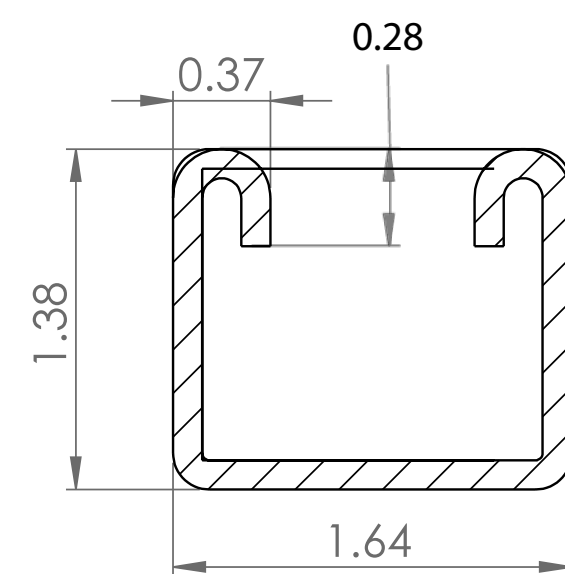
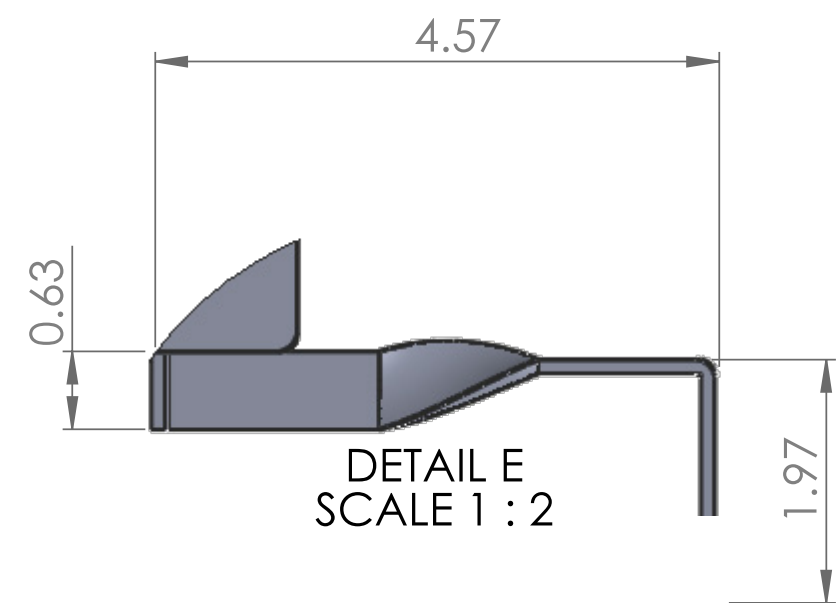
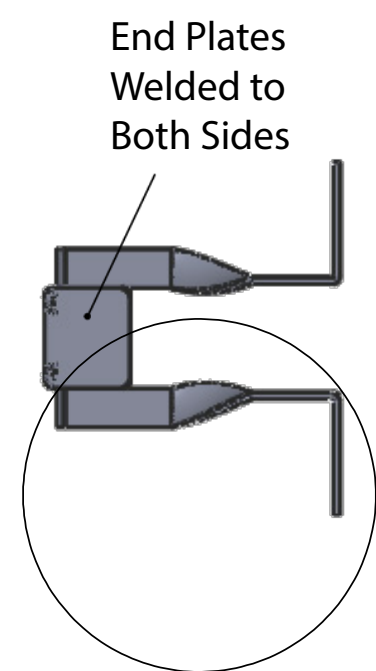
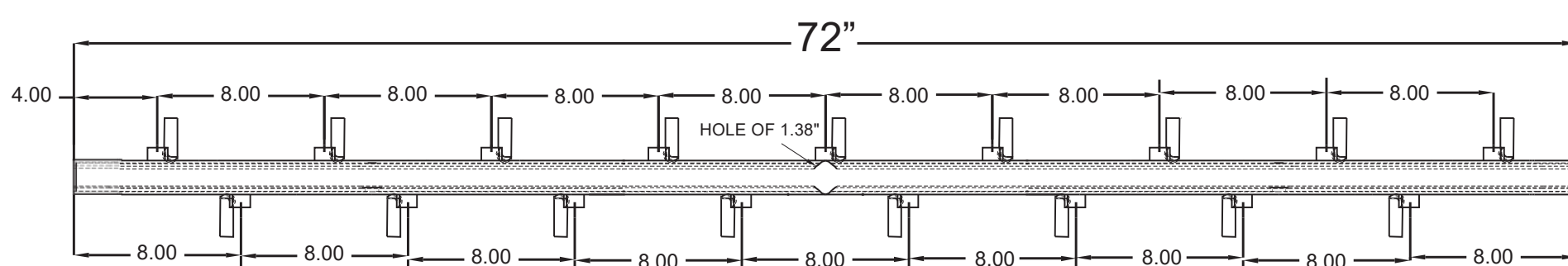
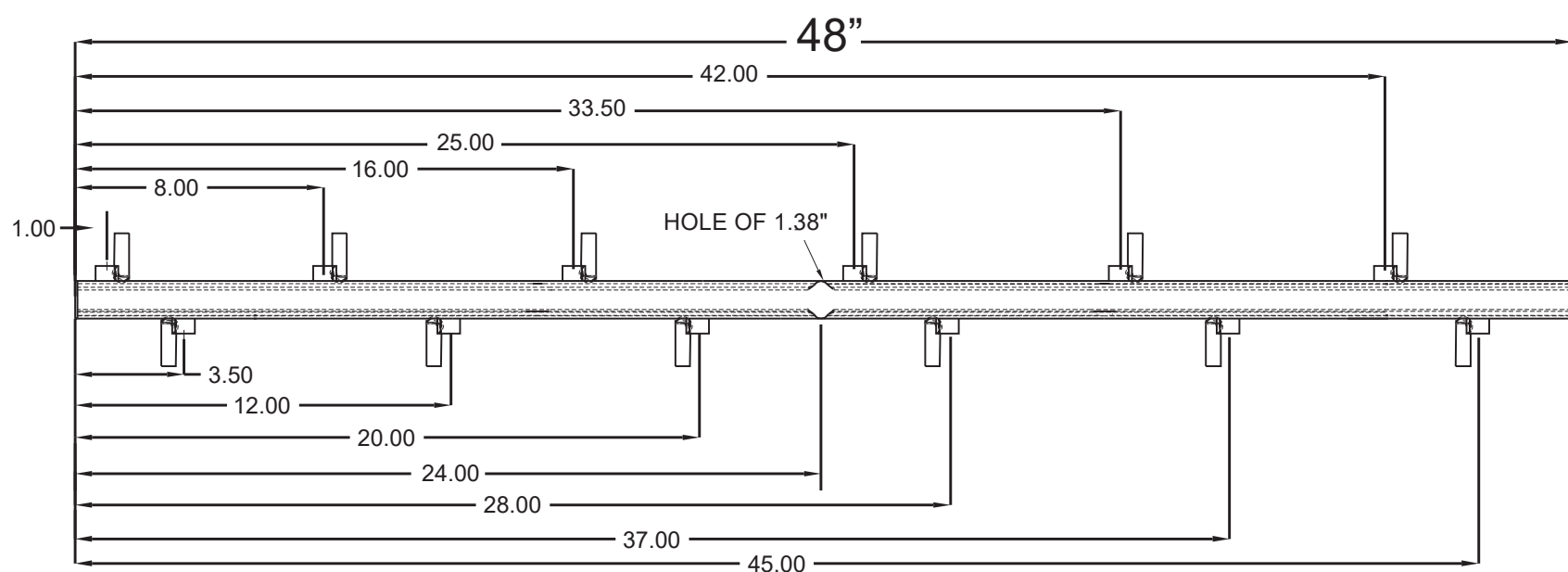
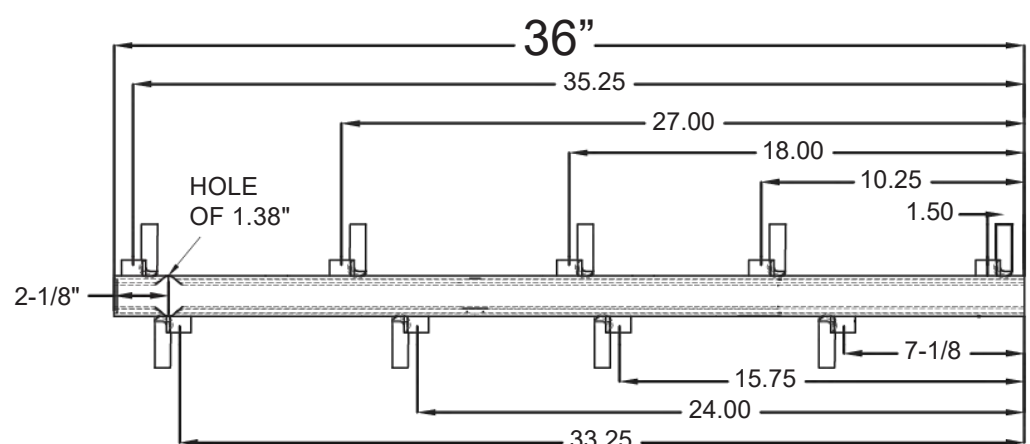
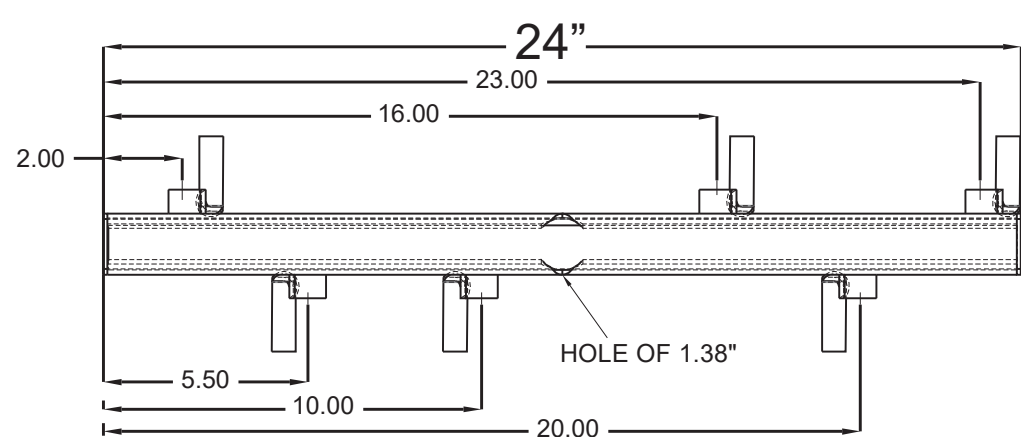
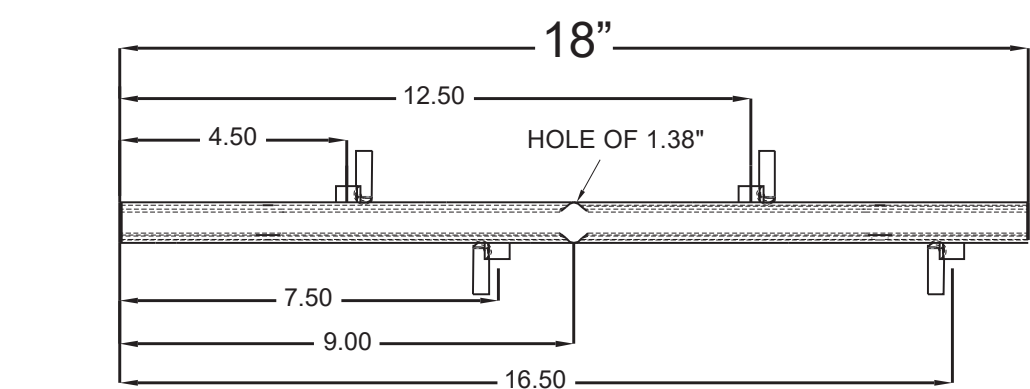
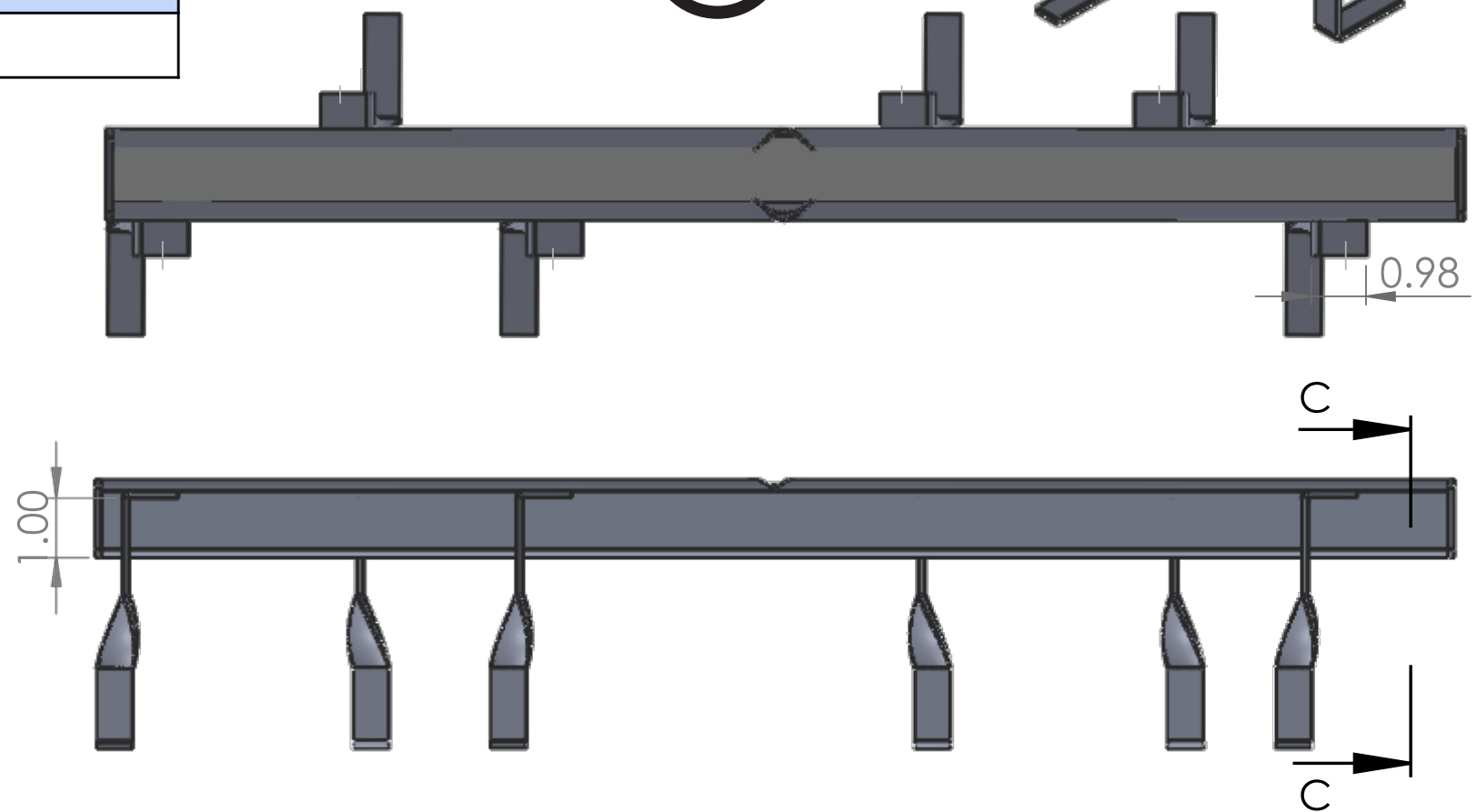
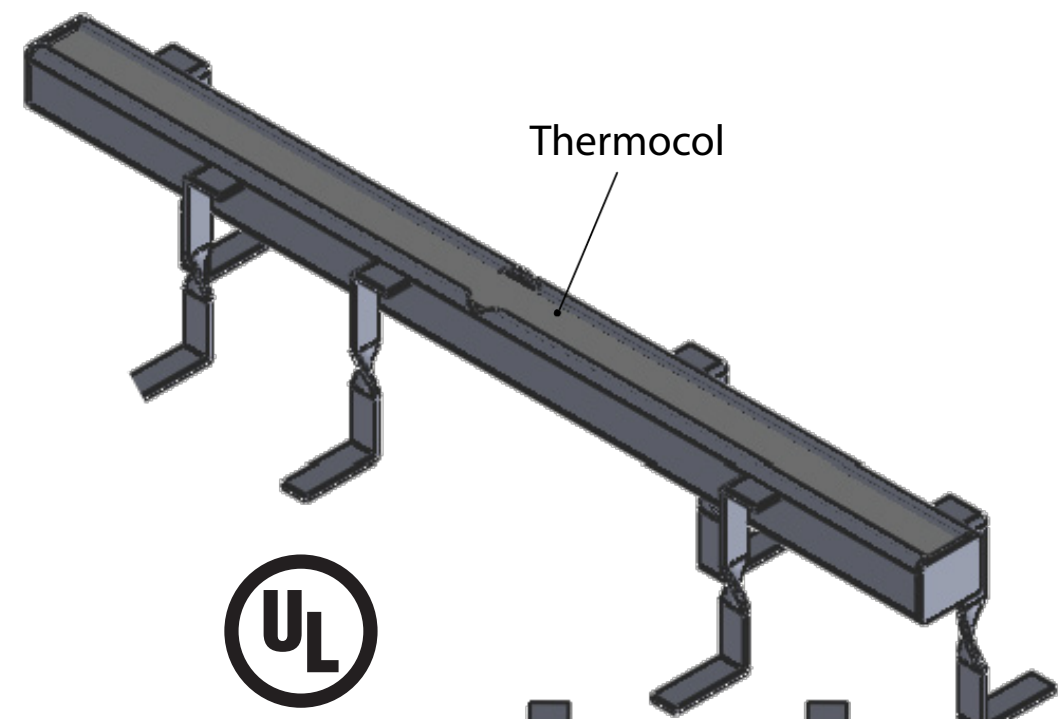
Part Number	Description	Box Qty
BCAGE	Metal Lamp Guard	100



## Rail Insert

- 12-gauge steel.
- Grey power coated finish.
- Welded legs on each size brick insert.
- All twisted legs are welded to the strut.

Part Number	Description	Box Qty.
NBI-18	18" Brick Insert - 4 legs	1
NBI-24	24" Brick Insert - 4 legs	1
NBI-36	36" Brick Insert - 4 legs	1
NBI-48	48" Brick Insert - 4 legs	1
NBI-72	72" Brick Insert - 4 legs	1



## Fire Tabs - Z Brackets 4"

- Hot dipped, mill galvanized.
- 16-gauge sheet metal.
- Uniform slots 3/4" by 1/4".
- Standard connector slots #10, 5/16" hex head.
- Screws on side panels.
- Screw protection provided.



## Fire Tabs - Z Brackets 8"

- Hot dipped, mill galvanized.
- 16-gauge sheet metal.
- Uniform slots 3/4" by 1/4".
- Standard connector slots #10, 5/16" hex head.
- Screws on side panels.
- Screw protection provided.

