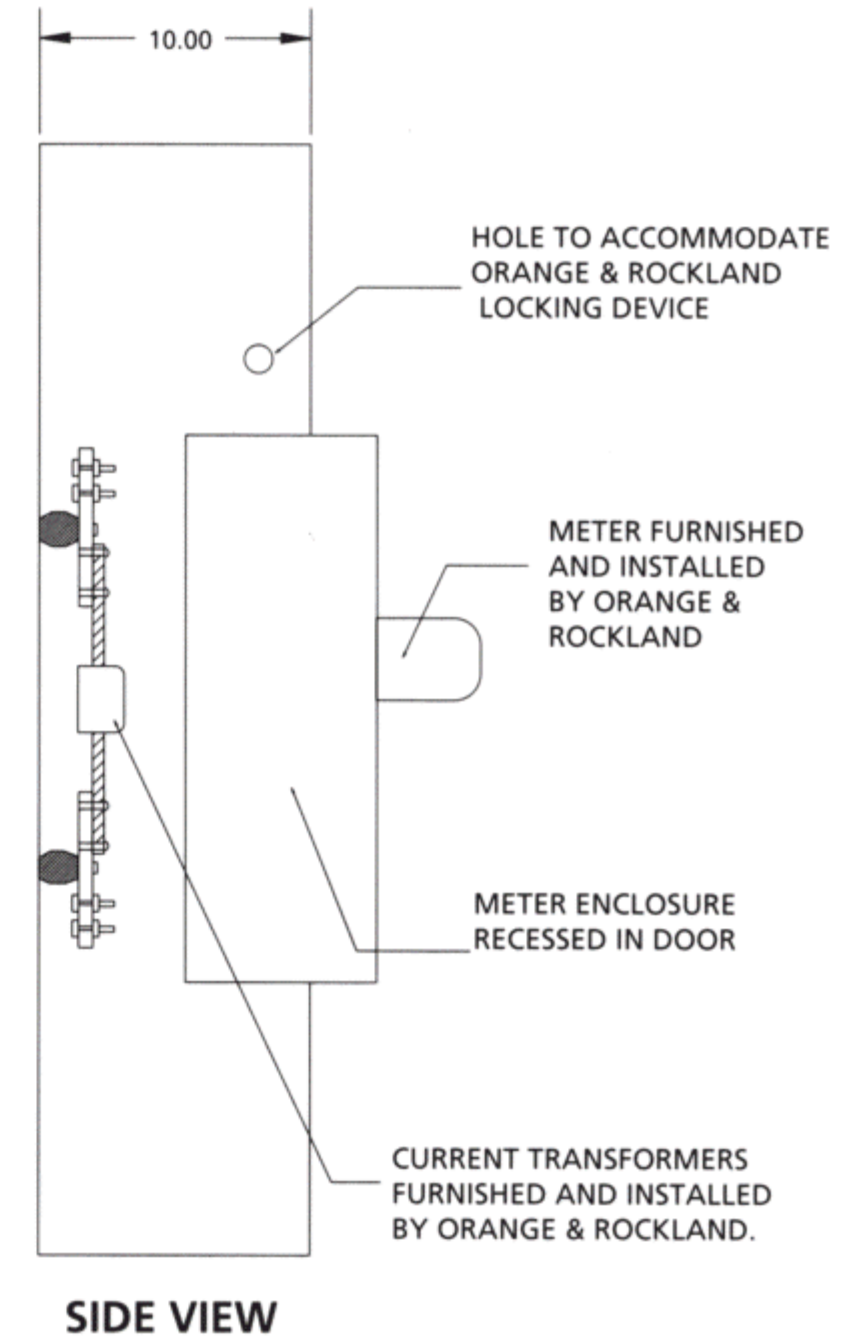
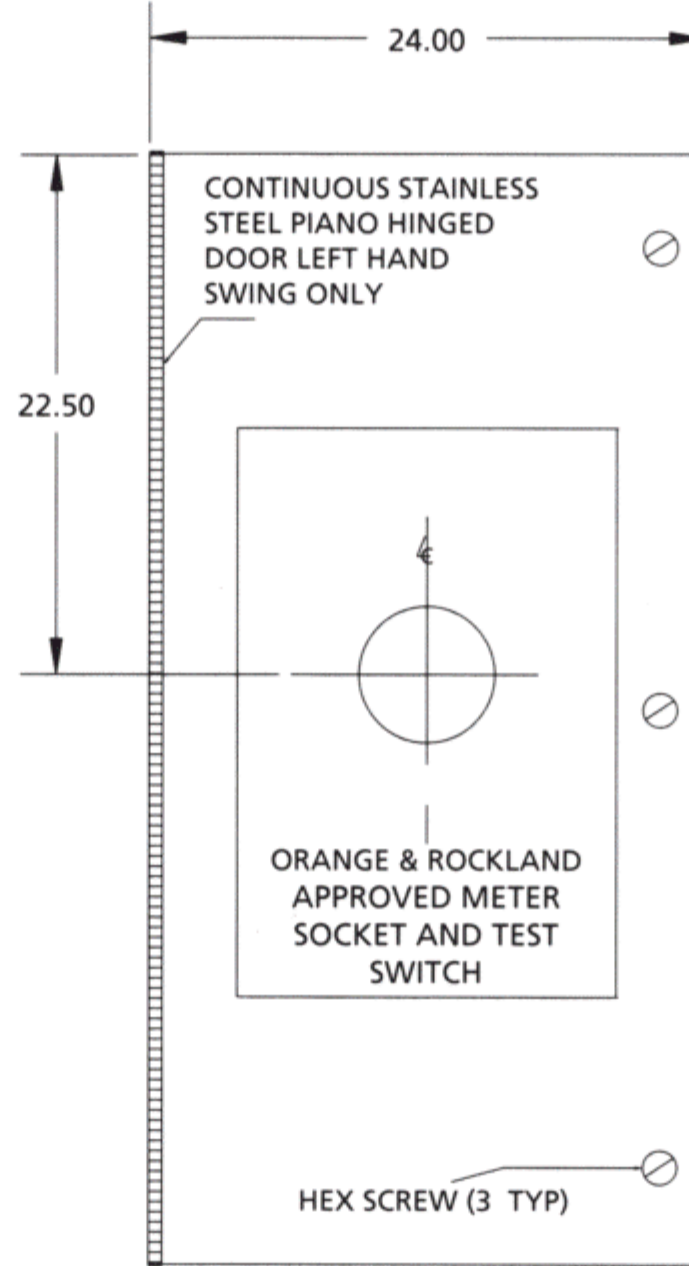
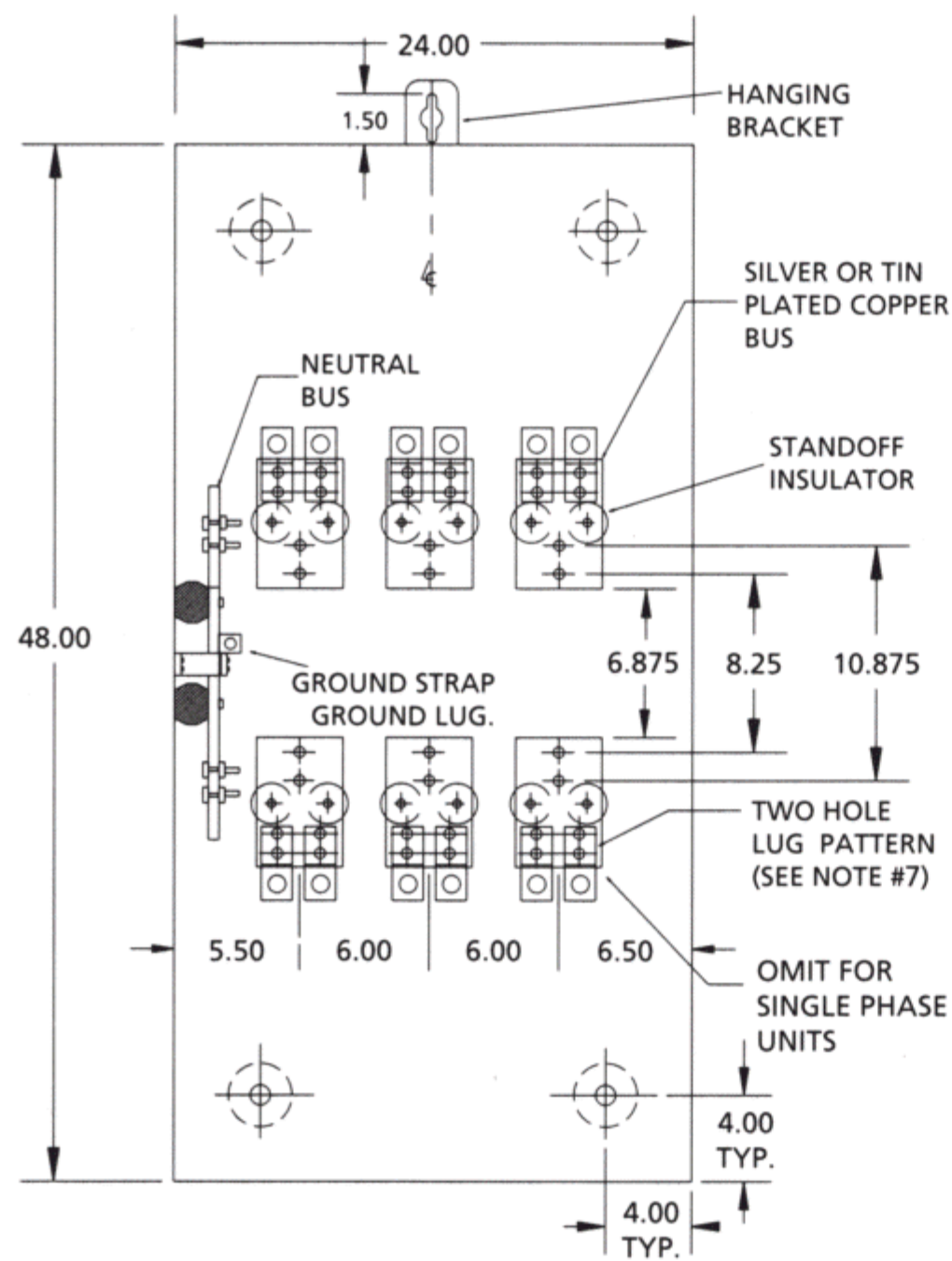
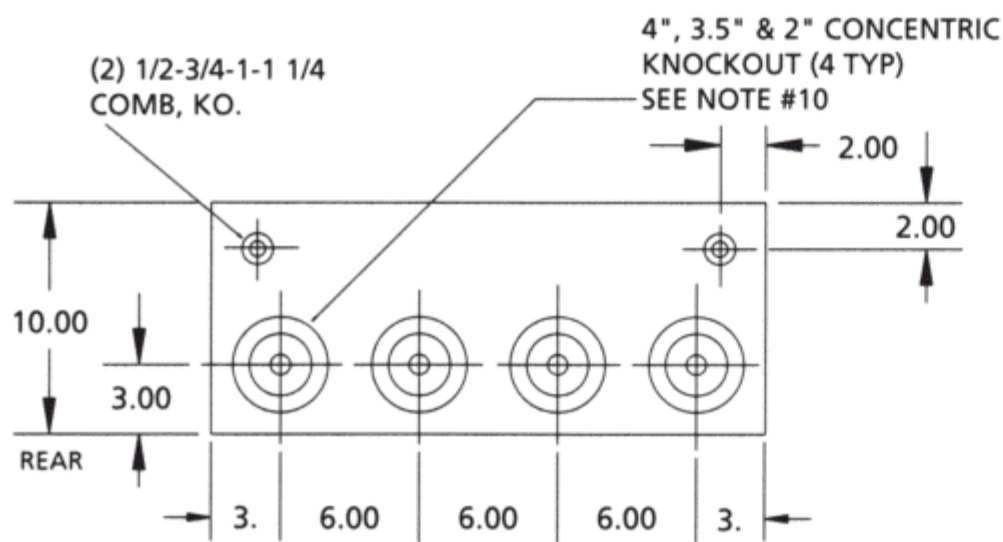


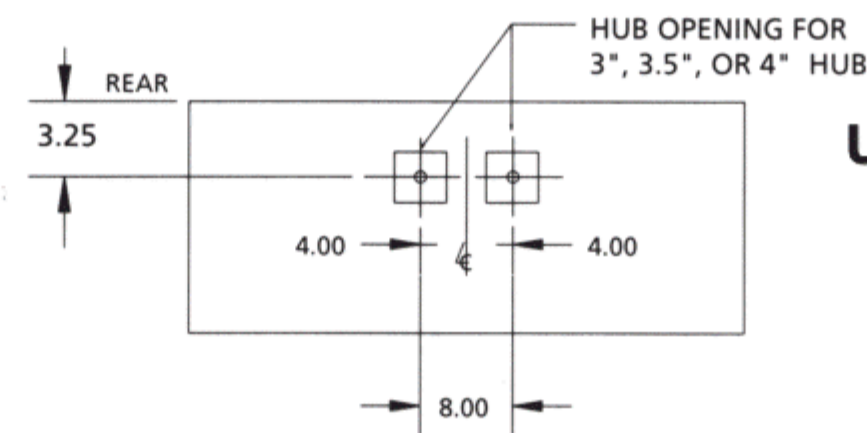
**ORANGE & ROCKLAND 800 AMP TRANS "S"  
CURRENT TRANSFORMER CABINET (NEMA 3R)  
600 AMP. 800 AMP., 240V AC RATED  
CATALOG NUMBER: TS-800-208(1) O&R  
TS-800-208(3) O&R**



SIDE VIEW



BOTTOM VIEW



TOP VIEW

UL FILE #E211411 & E204067

- CABINET SHALL BE RATED NEMA 3R AND SHALL BE CONSTRUCTED FROM CODED GAUGE GALVANIZED OR GALVANNEALED STEEL.
- BUS BAR SHALL BE SILVER OR TIN PLATED AND SHALL BE SIZED PER NEC.
- BUS BAR SHALL BE MOUNTED IN THE CABINET BY THE MEANS OF STANDOFF INSULATORS OR INSULATED MOUNTING BRACKETS. INSULATING MATERIAL SHALL CONFORM TO THE APPLICABLE SECTIONS OF UL 746 AND UL 94. THE CABINET SHALL BE UL APPROVED.
- THE RIGHT HAND SIDE OF THE CABINET SHALL ALLOW FOR THE LINE AND THE LOAD CABLES TO ENTER AND EXIT THROUGH THE BOTTOM OF THE CABINET. THIS SPACE SHALL ALLOW FOR THE CABLES TO MEET THE MINIMUM BENDING RADIUS TO THE NEAREST BUS AS PER NEC.
- THE SHORT CIRCUIT WITHSTAND CAPABILITY OF THE CABINET ASSEMBLY SHALL BE RATED AT 50,000 RMS SYMMETRICAL AMPERES.
- MANUFACTURER SHALL FURNISH AND INSTALL 13 STUDS WITH SPLIT LOCK WASHERS AND HEX NUTS FOR CT MOUNTING.
- USE ONLY MANUFACTURER'S APPROVED LUG PROVIDED. TWO LUGS PER TERMINAL, EACH RATED FOR (1) 600 MCM-#4 OR (2) 250 MCM-#4 CABLE.
- ONLY FACTORY PREFABRICATED KNOCKOUTS ON THE ENCLOSURE SHALL BE USED.
- PROVIDED PREWIRED TRANS "S" UNIT IN ACCORD WITH ORANGE & ROCKLAND SPECIFICATIONS. CONTACT YOUR LOCAL NEW BUSINESS GROUP FOR INSTALLATION.
- THESE DEVICES MAY BE UTILIZED ON 240 VOLT SERVICES AND 4 WIRE DELTA SERVICES ONLY.
- USE #10 THNN STRANDED WIRE COLOR CODED. ALL WIRING IN ACCORDANCE WITH O&R SPECIFICATIONS.
- ALL METER FORMS MUST CONFORM TO ORANGE & ROCKLAND SPEC. AND WILL BE LABELED AS SUCH.
- ALL CABINETS WILL BE PROVIDED WITH A HOOK TO BE USED AS A DOOR STOP.
- EACH UNIT WILL BE PROVIDED WITH A BARREL LOCK GUARD AND LOCK NUT.

