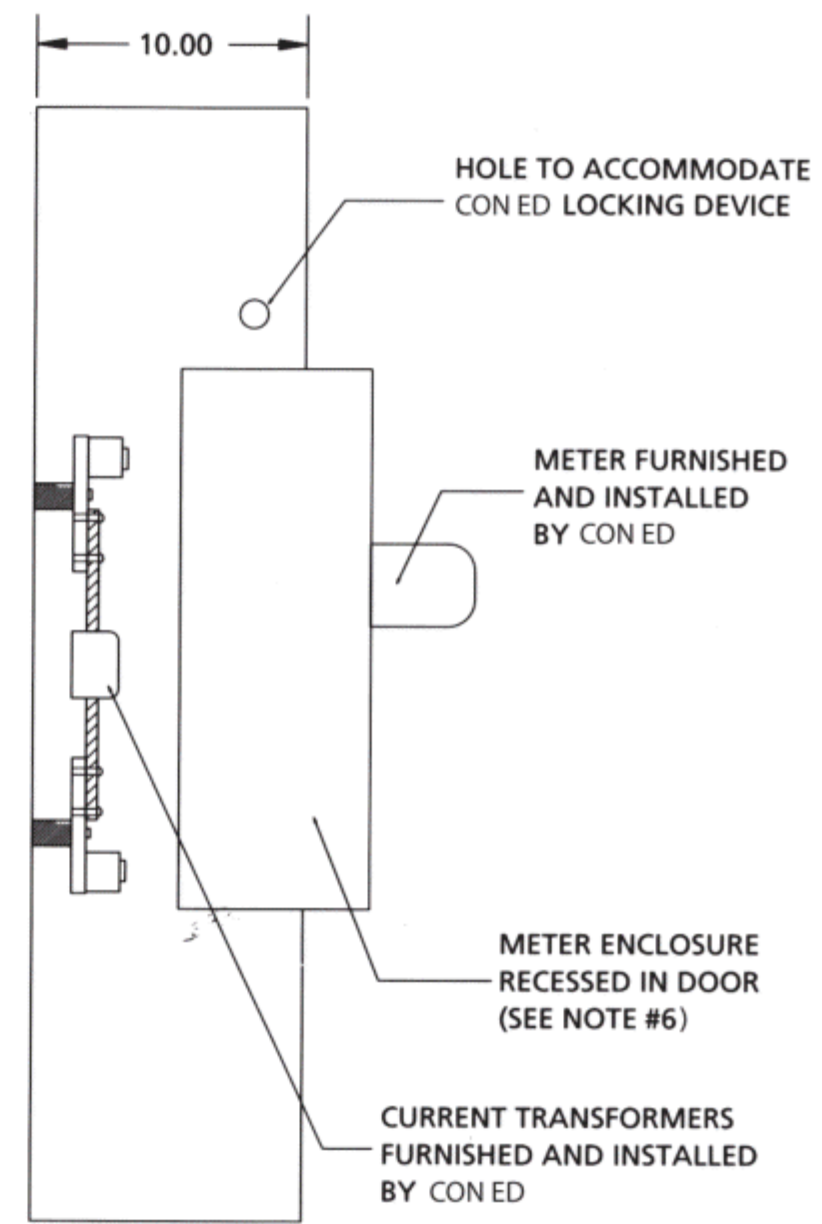
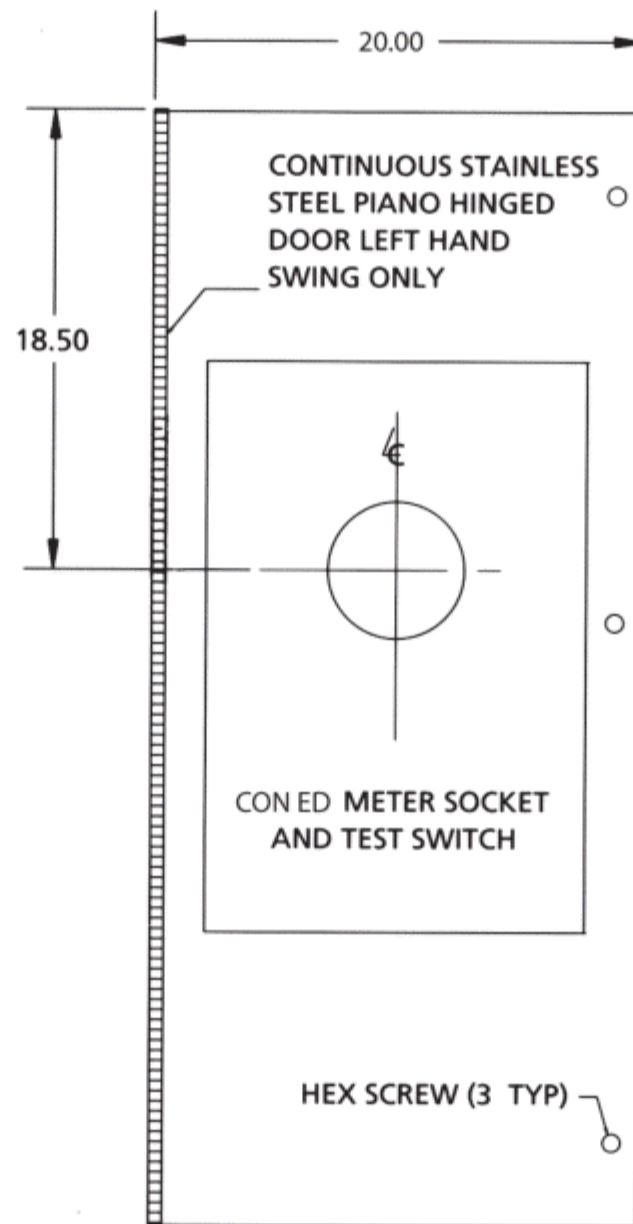
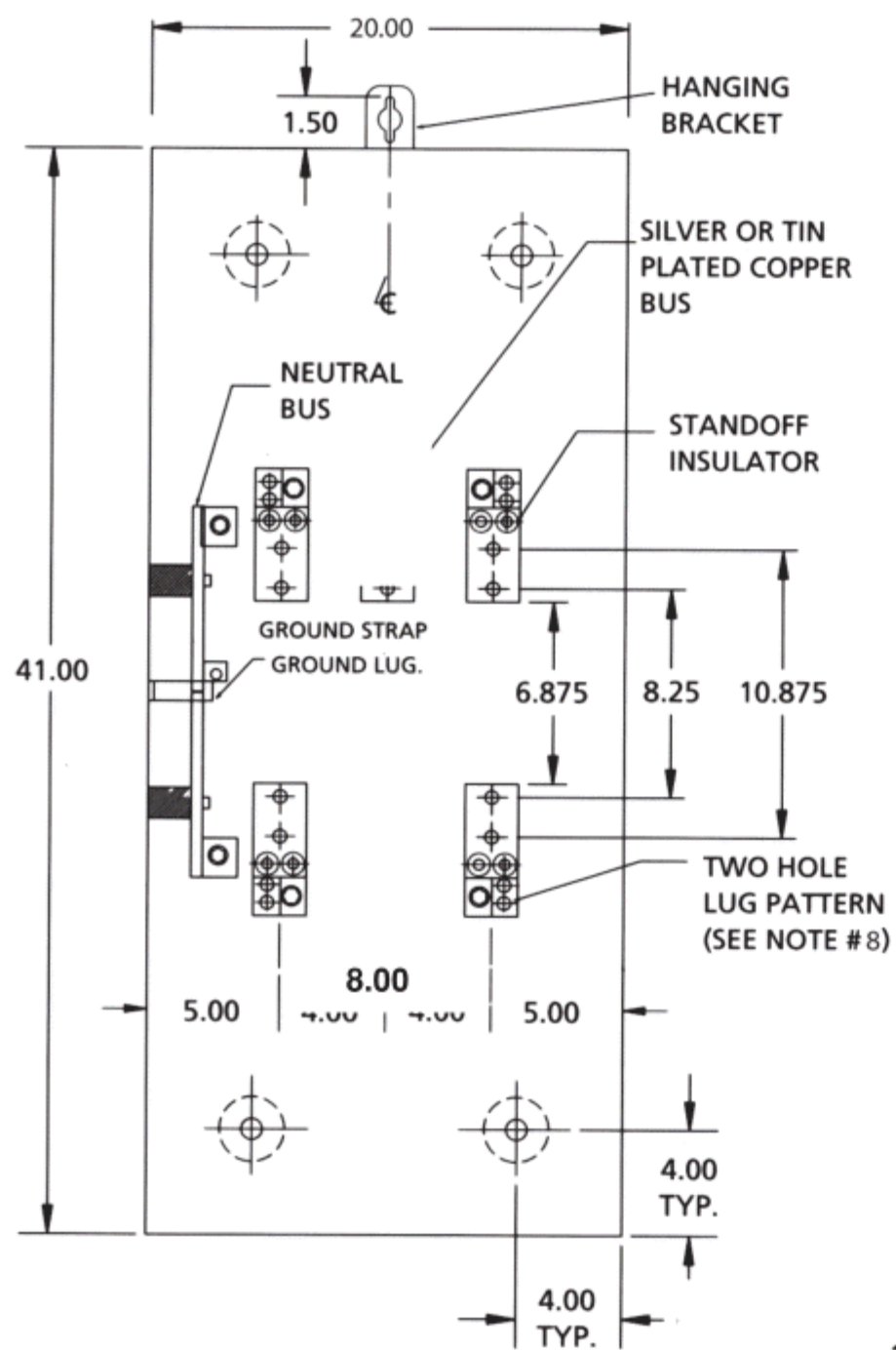


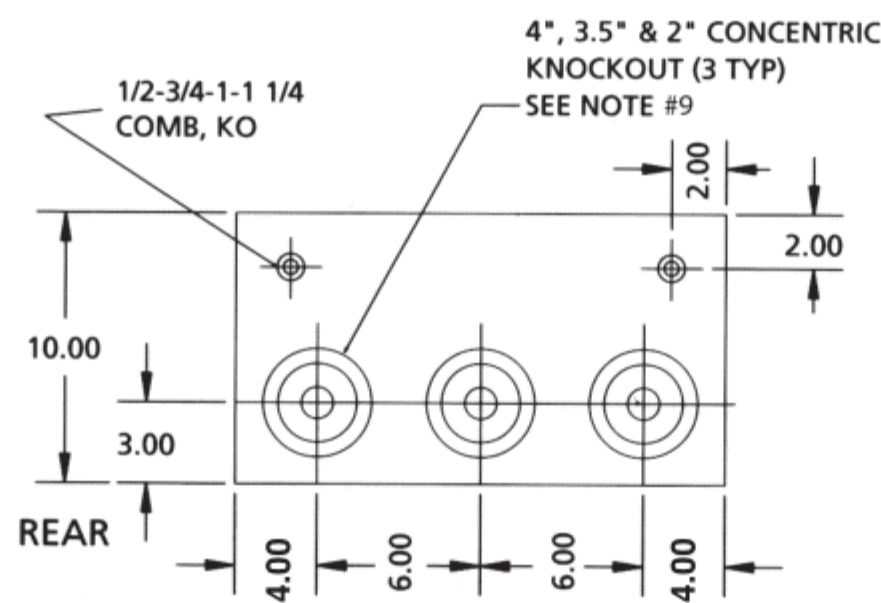
**CON EDISON 400 AMP TRANS "S"
CURRENT TRANSFORMER CABINET (NEMA 3R)
200 AMP. & 400 AMP., 240 V
CATALOG NUMBER TS-400-240(1)**



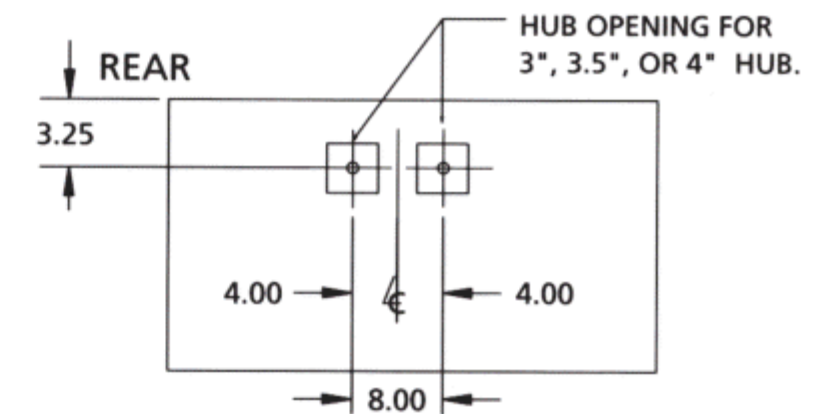
SERVICE EQUIPMENT



SIDE VIEW



BOTTOM VIEW



TOP VIEW

NOTES:

1. CABINET SHALL BE RATED NEMA 3R AND SHALL BE CONSTRUCTED FROM CODE GAUGE GALVANIZED OR GALVANIZED STEEL
2. BUS BAR SHALL BE SILVER OR TIN PLATED AND SHALL BE SIZED PER THE NEC.
3. BUS BAR SHALL BE MOUNTED IN THE CABINET BY MEANS OF STANDOFF INSULATORS OR INSULATED MOUNTING BRACKETS. INSULATING MATERIALS SHALL CONFORM TO THE APPLICABLE SECTIONS OF UL 746 AND UL 94. CABINET SHALL BE UL APPROVED AND N.Y.C. ADVISORY BOARD.
4. THE RIGHT HAND SIDE OF THE CABINET SHALL ALLOW FOR LINE AND LOAD CABLES TO ENTER AND EXIT THROUGH THE BOTTOM OF THE CABINET. THIS SPACE SHALL ALLOW FOR THE CABLES TO MEET THE MINIMUM BENDING RADIUS TO NEAREST PHASE OR NEUTRAL BUS AS PER THE NEC.
5. THE SHORT CIRCUIT WITHSTAND CAPABILITY OF THE CABINET ASSEMBLY SHALL BE A MINIMUM OF 18,000 SYMMETRICAL AMPERES.
6. CABINET DESIGN SHALL HAVE PROVISIONS FOR A SOLID DOOR TO ALLOW FOR THE METER ENCLOSURE TO BE MOUNTED REMOTELY FROM THE CABINET.
7. METERING COMPARTMENT TO BE TOTALLY ISOLATED FROM C. T. COMPARTMENT. FOR "REMOTE" USE CAT. NO. (IOP - 208MS OR IOP -480MS) AND CONFORM TO MES #751.
8. CABINET MAY BE DESIGNED WITH A SINGLE OR DOUBLE DOOR AS NECESSARY TO CONFORM WITH THE APPLICABLE STANDARDS. OVERALL DIMENSIONS SHALL BE KEPT TO A MINIMUM.
9. HEX HEAD OR THUMB SCREWS MAY BE FURNISHED INSTEAD OF A THREE POINT LATCH.
10. MANUFACTURER SHALL FURNISH AND INSTALL 1/2 - 13 STUDS WITH SPLIT LOCK WASHERS, RING WASHERS AND HEX NUTS FOR C. T. MOUNTING.
11. USE ONLY MANUFACTURER'S APPROVED LUG PROVIDED. LUGS ARE RATED FOR (1) 600 MCM - #4 OR (2) 250 MCM - #4 CABLES.

12. ONLY FACTORY PREFABRICATED KNOCKOUTS ON THE ENCLOSURE SHALL BE USED.
13. PROVIDE #12 AWG STRANDED (19/25) THHN COPPER COLOR CODED WIRE FROM TEST SWITCH/METER SOCKET METERING COMPARTMENT INTO C. T. COMPARTMENT. LEAVE 5 FT. OF WIRE FOR FUTURE CONNECTION TO CURRENT TRANSFORMERS. ALL WIRING IN ACCORDANCE WITH CON EDISON MES #195, REV. 9.
14. SECURITY HARDWARE TO BE PROVIDED FOR CT CABINET DOOR AND METER ENCLOSURE - TO BE INSTALLED BY CONTRACTOR.
15. THIS STANDARD SHALL NOT BE USED AS A DESIGN CRITERIA. DIMENSIONS SHOWN ARE RECOMMENDED MINIMUMS ONLY. LARGER DIMENSIONS SHALL BE USED WHERE REQUIRED BY CODE.

INSTALLATION DETAILS:

1. MAXIMUM CABLE SIZES: 1 SET OF 500 KCMILS OR 2 SETS OF 4/0 AWG CU. LUG SIZE RANGES FROM 600 MCM - #4 OR (2) 250 KCMILS - 1/0 IF AL. CABLES ARE USED.
2. USE ONLY MANUFACTURER'S APPROVED LUG PROVIDED.
3. 1 FT. CLEARANCE REQUIRED ON THE LEFT (HINGED) SIDE OF THE CABINET TO A WALL OR OBSTRUCTION FOR METER CLEARANCE. MINIMUM OF 6" CLEARANCE ON THE RIGHT (NON HINGED) SIDE OF THE CABINET, NEEDED FOR INSTALLATION OF LOCKING DEVICES. SPACE BETWEEN ADJACENT CABINETS NO LESS THAN 6 INCHES. (SEE INSTALLATION DETAIL).
4. 265/460 VOLT SERVICE REQUIRES A DISCONNECT SWITCH BEFORE THE CT CABINET.
5. METER ENCLOSURES MOUNTED REMOTELY MUST CONFORM WITH MES 195 IN WIRE SIZING CONNECTIONS, COLOR CODING, ETC.
6. FINAL CONNECTIONS PER MES 195 - FOR 4 WIRE INSTALLATIONS.

