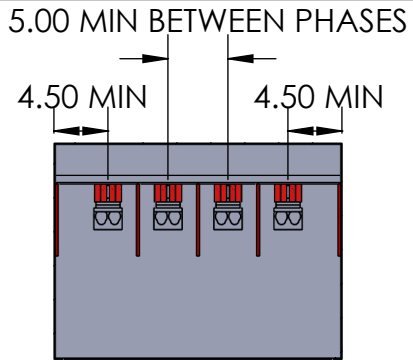
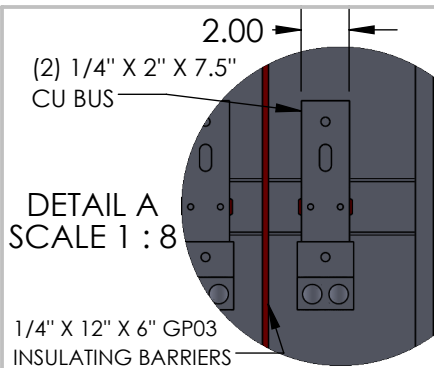


2

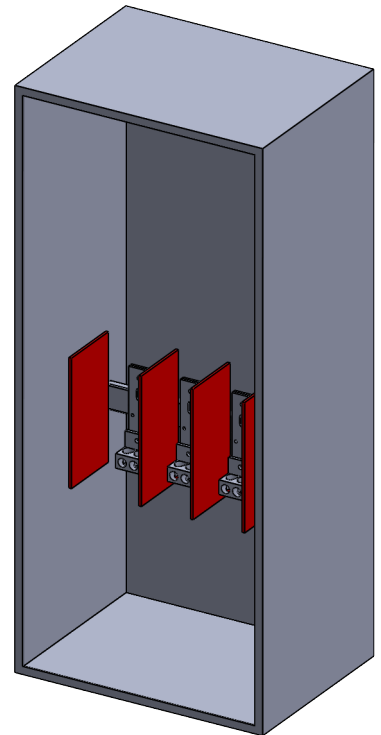
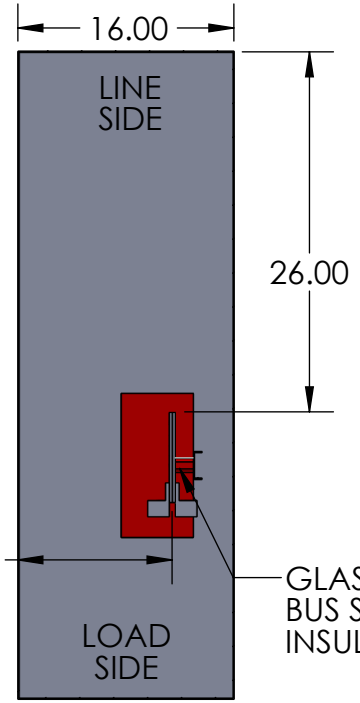
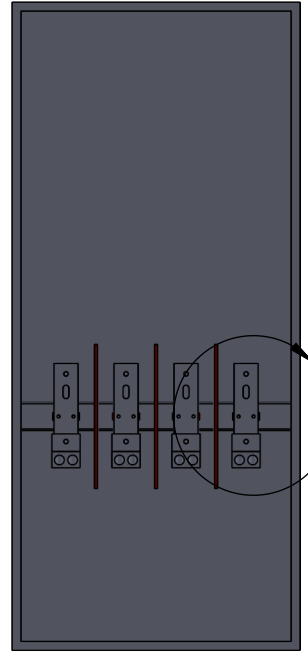
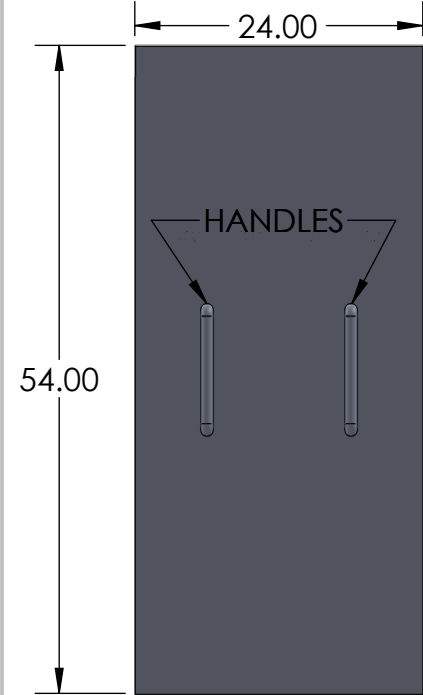
1



- NOTES: 1. BOX AND COVER CONSTRUCTION - GALV STEEL (12GA) FINISH: POWDER COAT GRAY ENAMEL  
 2. BUS BARS - COPPER 98% CONDUCTIVITY  
 3. BOX SHALL HAVE NAMEPLATE WITH MANUFACTURER'S NAME  
 4. FRONT COVER SHALL BE SEALABLE WITH (2) HANDLES  
 5. LINE SIDE: PROVISION FOR (1) 600 MCM  
 6. LOAD SIDE : MOUNT UP TO (3) 600 MCM  
 7. NEMA 1 CONSTRUCTION: STITCH WELDED ENCLOSURE  
 8. "120/208v" BLACK LABEL WITH WHITE LETTERING LOCATION ON INSIDE AND OUTSIDE OF THE ENCLOSURE

B

B



A

A

	NAME	DATE
DRAWN BY	N. BOSETTI	11/14/2024
APPROVED BY		

**PROPRIETARY AND CONFIDENTIAL**  
 THE INFORMATION CONTAINED IN THIS DRAWING IS THE SOLE PROPERTY OF Nav-Tech Inc. ANY REPRODUCTION IN PART OR AS A WHOLE WITHOUT THE WRITTEN PERMISSION OF Nav-Tech Inc. IS PROHIBITED.



155 MARCUS BLVD  
 HAUPPAUGE, NEW YORK 11788  
 PH: (718) 257-2111 FAX: (718) 257-2626

**UNLESS OTHERWISE SPECIFIED:**  
 TOLERANCE:  
 FRACTIONAL ±1/64 ANGULAR: MACH ± 30°  
 BEND ± 1°  
 0.00" = ± 0.01"  
 0.000" = ± 0.005"  
 DIMENSIONS IN INCHES [SECONDARY IN MM]

MATL:	12 GA GALV
FINISH:	POWDER COAT GREY
WEIGHT:	
<b>UNLESS OTHERWISE SPECIFIED</b>	
1. REMOVE ALL BURRS AND BREAK ALL SHARP EDGES .015 X 45° OR .015R	
2. DIMENSIONAL LIMITS APPLY AFTER PLATING	
3.	125/ MACHINED SURFACES EXCEPT AS NOTED

DRAWING TITLE:	EO-54-N1 CUT SHEET			
PART #:	NAV-EO-54-9525B			
DESCRIPTION:	NEMA 1 SERVICE BOX UP TO 1 SET LINE SIDE SPECIFIED TO CON ED EO-9525-B			
<b>DO NOT SCALE DRAWING</b>	SCALE: 1:16	SIZE	A	SHEET
			1 OF 1	REV. 6

2

1