

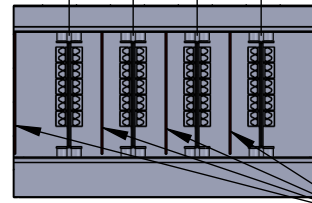
2

1

**NOTES:**

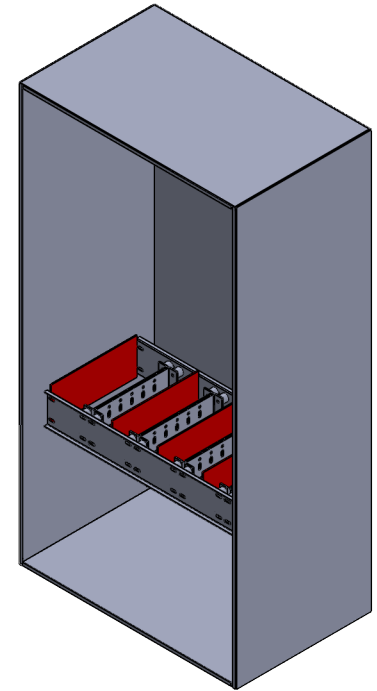
- 1. BOX AND COVER CONSTRUCTION- GALV STEEL (12GA)  
FINISH: POWDER COAT GRAY ENAMEL
- 2. BUSBARS- COPPER 98% CONDUCTIVITY
- 3. BOX SHALL HAVE NAME PLATE WITH MANUFACTURER'S NAME
- 4. FRONT COVERS SHALL BE SEALABLE WITH (2) HANDLES
- 5. LINE SIDE: PROVISION FOR (16) 600 MCM
- 6. LOAD SIDE: STANDARD - MOUNT (16) 600MCM, UP TO (20) 600 MCM
- 7. NEMA 1 CONSTRUCTION: STITCH WELDED ENCLOSURE
- 8. "120/208V" BLACK LABEL WITH WHITE LETTERING LOCATION  
ON INSIDE AND OUTSIDE OF THE ENCLOSURE
- 9. SHORT CIRCUIT CURRENT RATING 200,000 SYM RMS AMPS

10.00 MIN BETWEEN PHASES  
 9.00 MIN 9.00 MIN



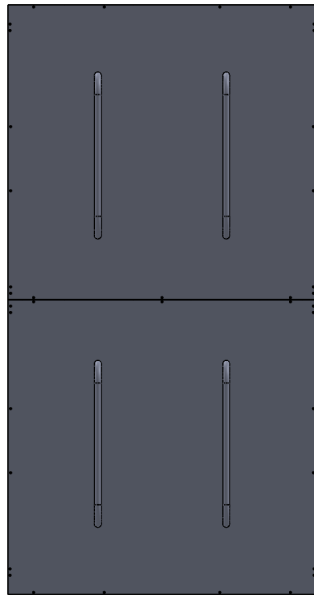
1/4" X 18" X 12" GP03  
INSULATING BARRIERS

TOP SECTIONED

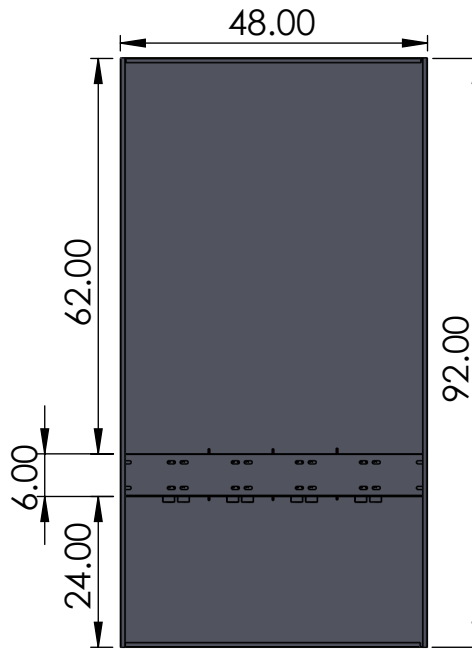


B

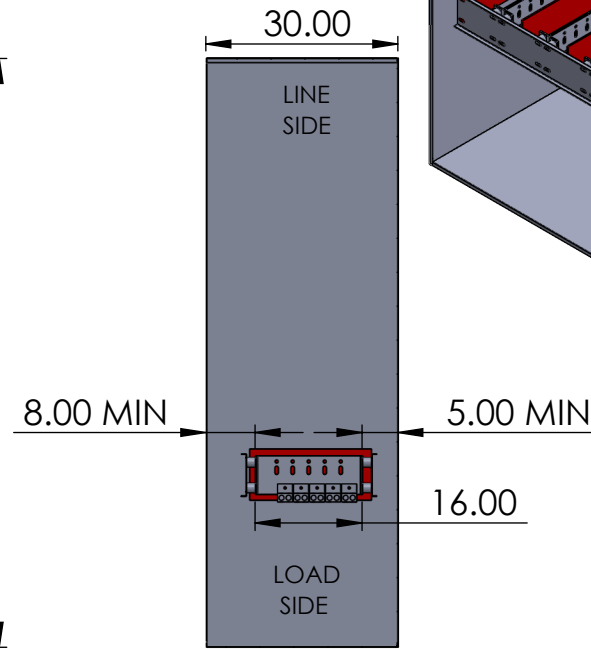
B



COVERED FRONT



OPEN FRONT



SIDE SECTIONED

A

A

	NAME	DATE
DRAWN BY	N. BOSETTI	11/14/2024
APPROVED BY		

**PROPRIETARY AND CONFIDENTIAL**  
 THE INFORMATION CONTAINED IN THIS  
 DRAWING IS THE SOLE PROPERTY OF  
 NAV-TECH INC. ANY REPRODUCTION IN  
 PART OR AS A WHOLE WITHOUT THE  
 WRITTEN PERMISSION OF NAV-TECH INC.  
 IS PROHIBITED.



155 MARCUS BLVD  
 HAUPPAUGE, NEW YORK 11788  
 PH: (718) 257-2111 FAX: (718) 257-2626

MAT'L: GALVANNEALED STEEL  
 FINISH: POWDER COATED  
 WEIGHT: 700 LBS

ALL DIMENSIONS ARE  
 NOMINAL UNLESS  
 SPECIFICALLY NOTED  
 OTHERWISE

DRAWING TITLE: **EO-92-N1 CUT SHEET**

PART #: **NAV-EO-92-9073B**

DESCRIPTION:  
 NEMA 1 SERVICE ENTRANCE BOX UP TO 16 SETS LINE SIDE  
 SPECIFIED TO CON ED EO-9073-B

<b>DO NOT SCALE DRAWING</b>	SCALE	1:35	SIZE	A	SHEET	1 OF 1	REV.	6
---------------------------------	-------	------	------	---	-------	--------	------	---

2

1