

2

1

E316609

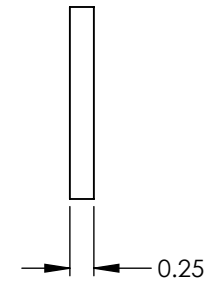
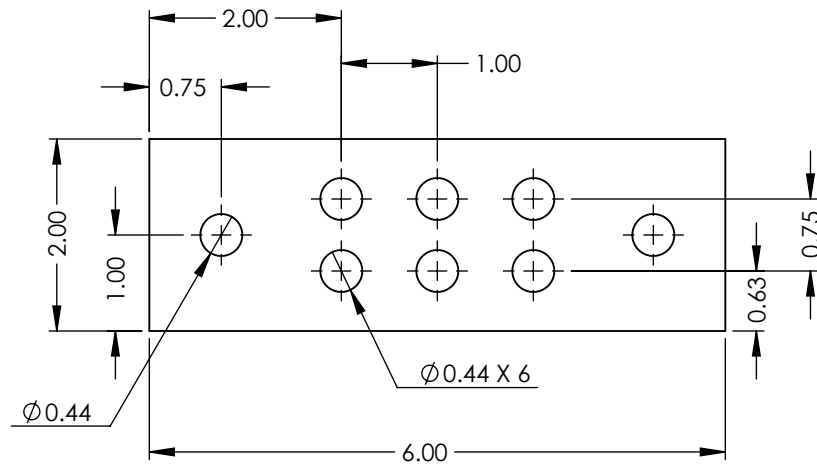


GROUNDING AND BONDING EQUIPMENT

NAV-TECH INC. HAUPPAUGE, NEW YORK

B

B



A

A

DRAWN BY N. BOSETTI		DATE 12/27/2024		MAT'L: BARE COPPER	DRAWING TITLE: GROUND BAR 2" X 6" X 1/4"	DESCRIPTION: BARE COPPER GROUND BAR 2" X 6" X 1/4" STANDARD HOLE PATTERN Z INCLUDES METAL MOUNTING BRACKETS & 3/8" INSULATORS W/HARDWARE
REVIEWED BY				FINISH: N/A		
PROPRIETARY AND CONFIDENTIAL THE INFORMATION CONTAINED IN THIS DRAWING IS THE SOLE PROPERTY OF NAV-TECH INC. ANY REPRODUCTION IN PART OR AS A WHOLE WITHOUT THE WRITTEN PERMISSION OF NAV-TECH INC. IS PROHIBITED.			155 MARCUS BLVD HAUPPAUGE, NEW YORK 11788 PH: (718) 257-2111 FAX: (718) 257-2626	WEIGHT: ALL DIMENSIONS ARE NOMINAL UNLESS EXPLICITLY STATED OTHERWISE	<u>DO NOT SCALE DRAWING</u>	SCALE: 1:2 SIZE A SHEET 1 OF 1 REV. 0

2

1