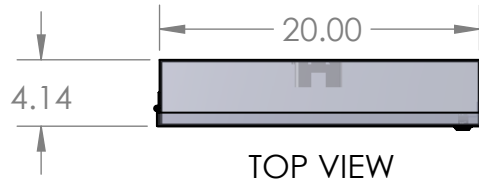


2

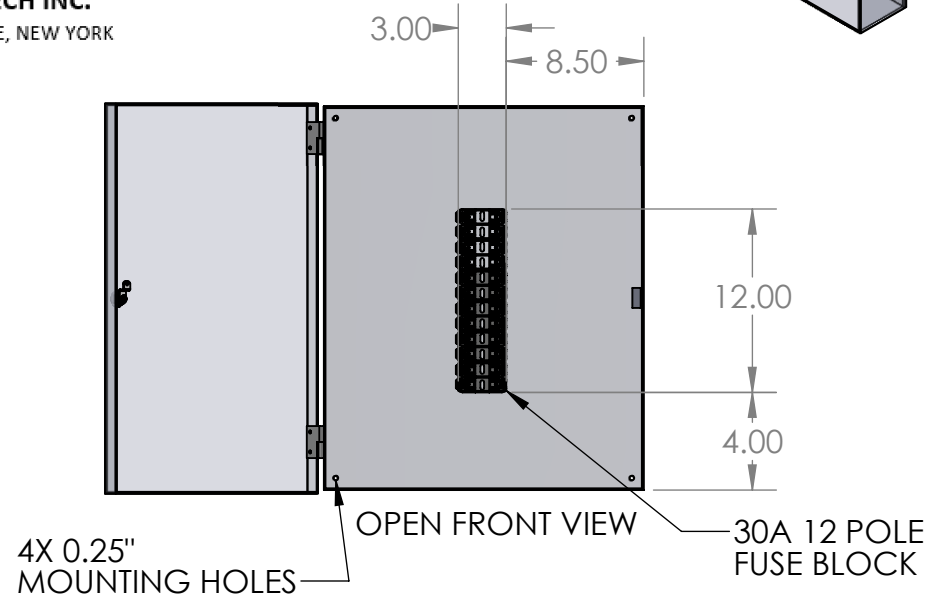
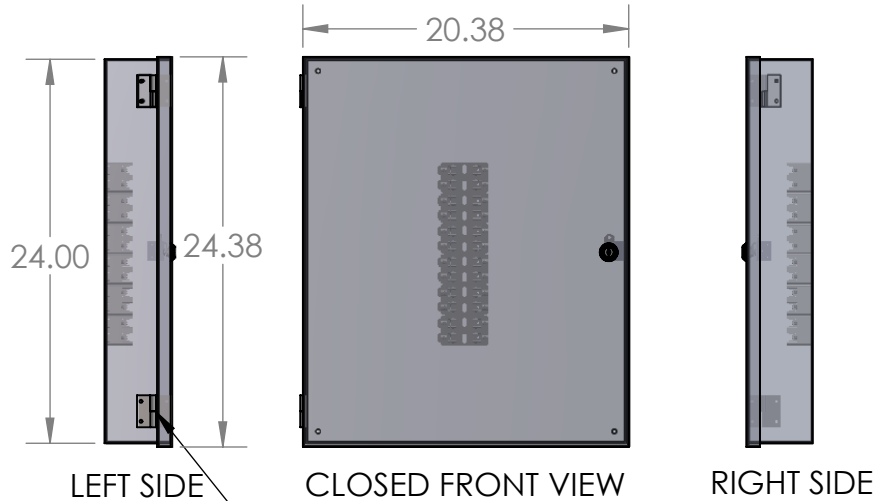
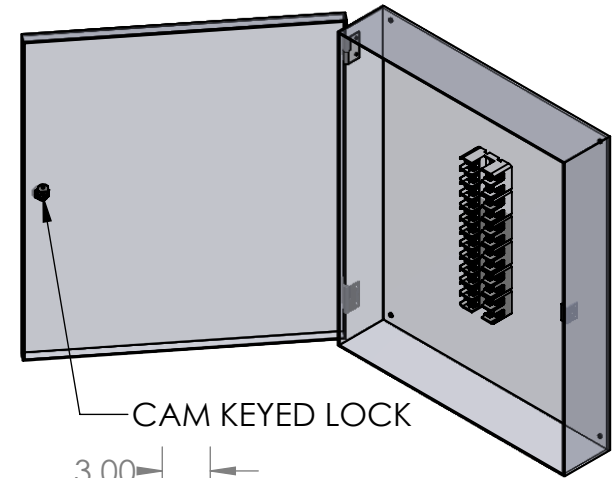
1

NOTES:

- 1. NEMA 1 INDOOR STITCH WELDED CONSTRUCTION
- 2. HINGED FRONT COVER WITH WRAP AROUND LIP
- 3. 3 POLE UL LISTED FUSE HOLDER
- 4. RED POWDER COAT FINISH
- 5. CAM 45 KEYED DOOR LOCK
- 6. FACTORY INSTALLED NEUTRAL BARS AVAILABLE



E167302  LISTED  
**CABINETS AND CUT OUT BOXES**  
 LOT NO. XXXXXX  
**NAV-TECH INC.**  
 HAUPPAUGE, NEW YORK



HINGED DOOR

	NAME	DATE
DRAWN BY	J. Pincus	7/24/2023
APPROVED BY		

**PROPRIETARY AND CONFIDENTIAL**  
 THE INFORMATION CONTAINED IN THIS DRAWING IS THE SOLE PROPERTY OF Nav-Tech Inc. ANY REPRODUCTION IN PART OR AS A WHOLE WITHOUT THE WRITTEN PERMISSION OF Nav-Tech Inc. IS PROHIBITED.



155 MARCUS BLVD  
 HAUPPAUGE, NEW YORK 11788  
 PH: (718) 257-2111 FAX: (718) 257-2626

**UNLESS OTHERWISE SPECIFIED:**  
 ALL DIMENSIONS ARE NOMINAL UNLESS EXPLICITLY SPECIFIED OTHERWISE

MATL: 16 GA GALV  
 FINISH: POWDER COATED RED  
 WEIGHT:

UNLESS OTHERWISE SPECIFIED

- 1. REMOVE ALL BURRS AND BREAK ALL SHARP EDGES .015 X 45° OR .015R
- 2. DIMENSIONAL LIMITS APPLY AFTER PLATING

3.  MACHINED SURFACES EXCEPT AS NOTED

DRAWING TITLE:  
 24" X 20" X 4" FIRE ALARM CUT OUT BOX

PART #:  
 FAB 24204

DESCRIPTION:  
 NEMA 1 24" X 20" X 4" FIRE ALARM CUT OUT BOX WITH 30 AMP 12 POLE FUSE BLOCK AND LOCKING HINGE COVER

**DO NOT SCALE DRAWING** SCALE: 1:12 SIZE A SHEET 1 OF 1 REV. 0

2

1