

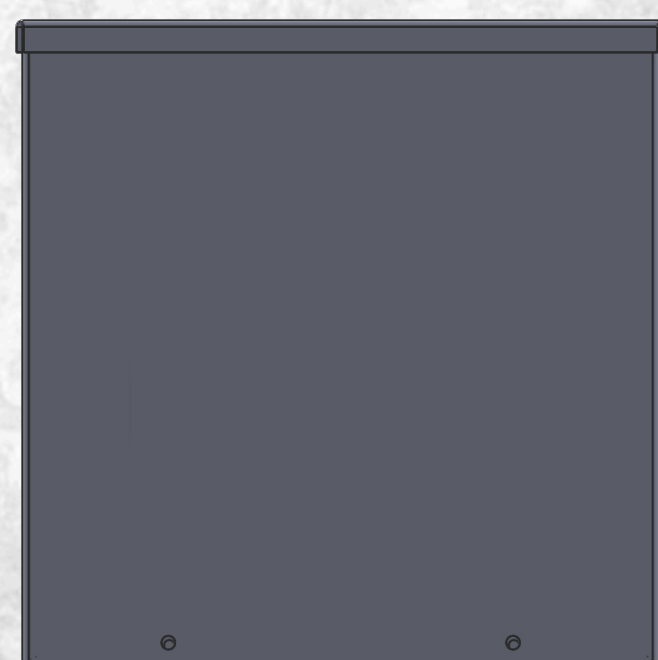
# Screw Cover Boxes Type 3R Raintight Outdoor

## NOTES:

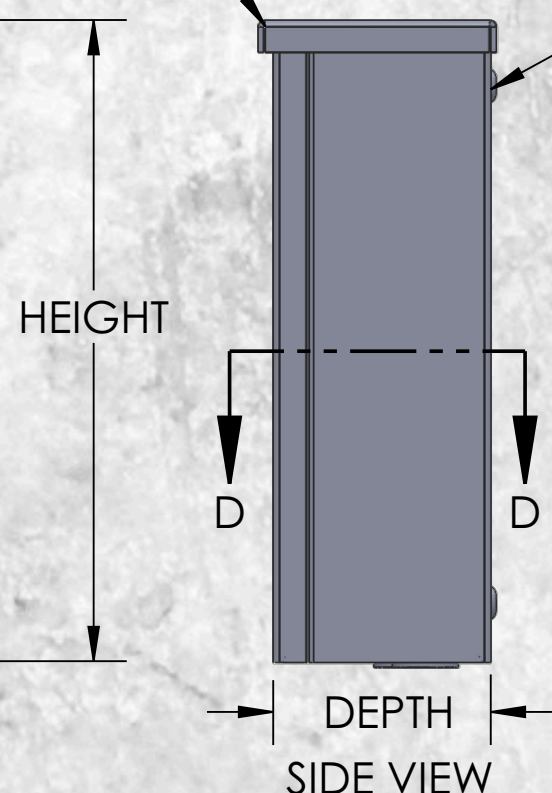
1. BOX AND COVER CONSTRUCTION- GALV SHEET STEEL.
2. FINISH: POWDER COAT GRAY ENAMEL.
3. STANDARD 0.75" LIP ON BOTTOM EDGE OF OPENING.
4. RAIN TITE SHED ROOF CONSTRUCTION INCLUDES STITCH WELD EDGES EMBOSSED MOUNTING POINTS ON ALL FOUR CORNERS, SLIDE ON SCREW COVERS.
5. KO'S COME STANDARD ON BOTTOM OF RAIN TIGHT SCREW COVER BOXES.



TOP VIEW



FRONT VIEW  
WIDTH

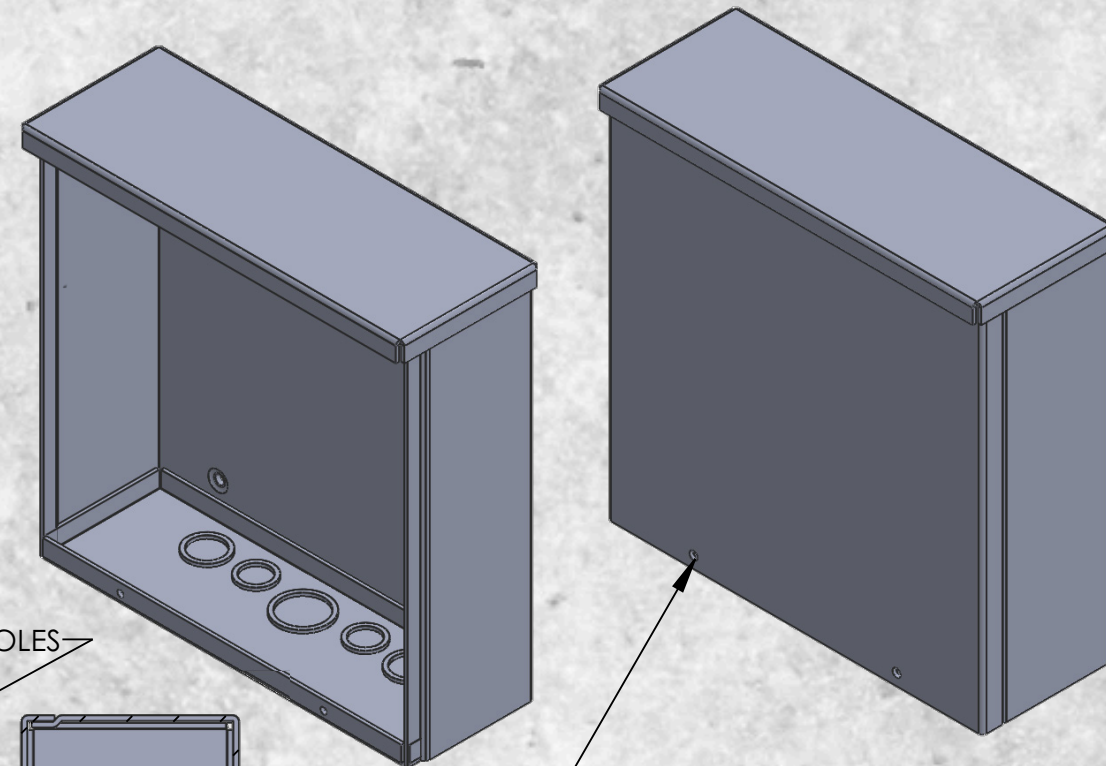


SIDE VIEW  
DEPTH

HEIGHT

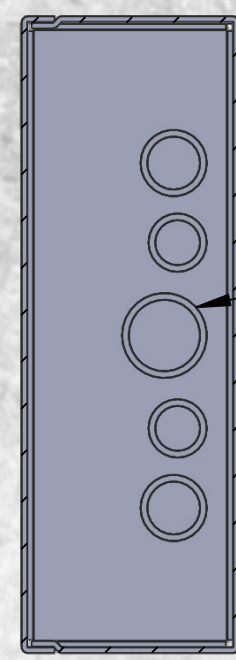
0.5" SHED ROOF

EMBOSSED MOUNTING HOLES



SCREW FASTENED COVER  
10-32 SCREWS

KO'S STANDARD ON RTSC BOXES



SECTION D-D  
SCALE 1 : 5

E160783



WIREWAY, AUXILIARY  
GUTTERS AND ASSOCIATED  
LOT NO. XXXXXX

NAV-TECH INC.  
HAUPPAUGE, NEW YORK

## Features

- Enclosure and cover are manufactured from 16, 14, or 12 gauge G90 galvanized steel in accordance with UL Standards.
- The cover is designed to fit under the shed roof, held in place with plated steel screws.
- Available with or without paint—for no paint refer to suffix -NP in the catalog number. Unpainted enclosures are made to order.
- Boxes are available with or without concentric knockouts on the bottom—for no knockouts refer to suffix -NK in the catalog number. NK boxes are made to order.
- Mounting holes are embossed on the rear of each enclosure.
- ANSI 61 gray polyester powder coating wrinkle.
- Available Accessories: Replacement cover, touch-up paint, barrel lock, replacement screws, backplates, ground screws.

## Application

- Designed for use as a junction box or pull box.
- For outdoor use to provide protection against rain, sleet or snow, or indoors where dripping water is a problem.

- NEMA Type 3R
- UL 50 Type 3R
- CUL Type 3R (equivalent to CSA)



# Screw Cover Boxes Type 3R Raintight Outdoor

\*Stainless steel or aluminum available upon request  
\*Additional sizes available upon request

Catalog Number	Dimensions H x W x D (Inches)	UPC Codes
RTSC664	6x6x4	616983210383
RTSC666	6X6X6	616983210390
RTSC884	8x8x4	616983210406
RTSC886	8x8x6	616983210413
RTSC10104	10x10x4	616983210321
RTSC10106	10x10x6	616983210338
RTSC12124	12x12x4	616983210345
RTSC12126	12x12x6	616983210352
RTSC18186	18x18x6	616983210369
RTSC24246	24x24x6	616983210376



- NEMA Type 3R
- UL 50 Type 3R
- CUL Type 3R (equivalent to CSA)

