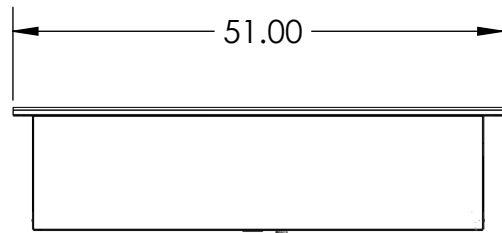


2

1

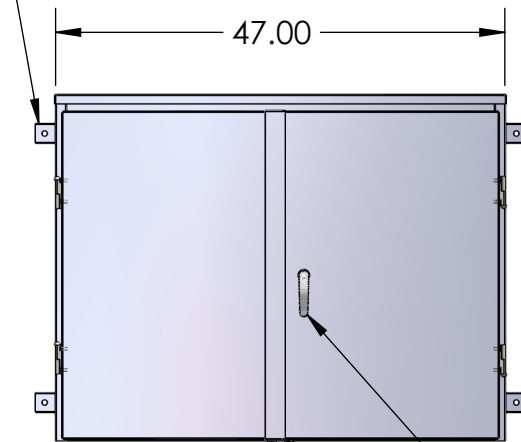
NOTES:

- 1. CABINET SHALL BE RATED TYPE 3R WITH SHED ROOF
- 2. CONSTRUCTED OF 14 GA GALV STEEL WITH SS HINGES
- 3. RATED FOR 800A, 600VAC MAX 3P/4W 50K SYM AMPS
- 4. FRENCH GASKETED HORIZONTAL LIFT OFF DOORS
- 5. EQUIPPED WITH 3 PT CATCH PADLOCKABLE HANDLE
- 6. (2) SETS 600 MCM OR (4) SETS 250MCM LINE/LOAD
- 7. NO FACTORY KNOCKOUTS



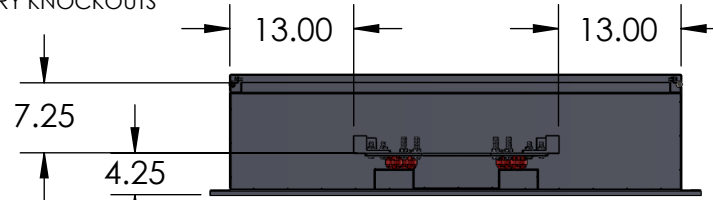
TOP

EXTERNAL STRUT MOUNTS

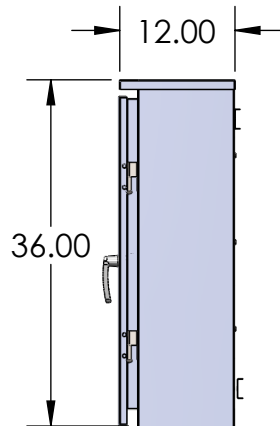


PADLOCKABLE 3 PT HANDLE

FRONT CLOSED



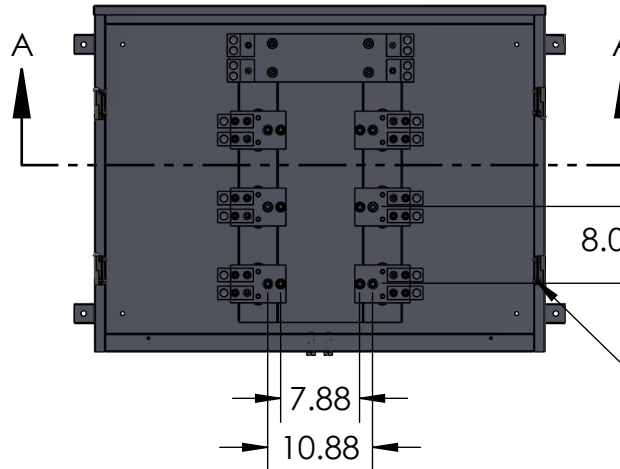
SECTION A-A  
SCALE 1 : 20



36.00

12.00

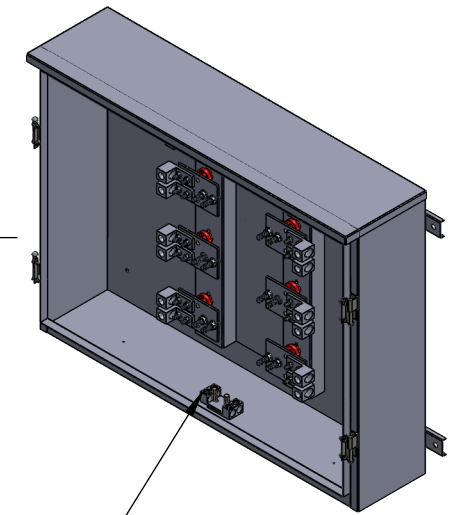
SIDE



7.88  
10.88

8.00 B/W PHASES

FRONT OPEN



LUG MOUNTING GROUND STUD

STAINLESS STEEL  
LIFT OFF HINGES

|             | NAME      | DATE      |
|-------------|-----------|-----------|
| DRAWN BY    | J. Pincus | 7/30/2024 |
| APPROVED BY |           |           |

**PROPRIETARY AND CONFIDENTIAL**  
 THE INFORMATION CONTAINED IN THIS DRAWING IS THE SOLE PROPERTY OF Nav-Tech Inc. ANY REPRODUCTION IN PART OR AS A WHOLE WITHOUT THE WRITTEN PERMISSION OF Nav-Tech Inc. IS PROHIBITED.



155 MARCUS BLVD  
 HAUPPAUGE, NEW YORK 11788  
 PH: (718) 257-2111 FAX: (718) 257-2626

**UNLESS OTHERWISE SPECIFIED:**  
 ALL DIMENSIONS ARE NOMINAL UNLESS EXPLICITLY SPECIFIED OTHERWISE

**MATL:** 14 GA GALV STEEL  
**FINISH:** ANSI 61 POWDER COAT  
**WEIGHT:**

UNLESS OTHERWISE SPECIFIED

- 1. REMOVE ALL BURRS AND BREAK ALL SHARP EDGES .015 X 45° OR .015R
- 2. DIMENSIONAL LIMITS APPLY AFTER PLATING
- 3.  $\frac{125}{\sqrt{\quad}}$  MACHINED SURFACES EXCEPT AS NOTED

**DRAWING TITLE:** EVERSOURCE 800A CT CABINET

**PART #:** NAV-ES-CTR-8

**DESCRIPTION:**  
 EVERSOURCE NEMA 3R BAR STYLE CT CABINET RATED FOR 800A 600V MAX WITH PADLOCKABLE HANDLES AND LIFT OFF HINGES  
 DESIGNED IN ACCORDANCE WITH EVERSOURCE STANDARDS

|                             |             |        |              |        |
|-----------------------------|-------------|--------|--------------|--------|
| <b>DO NOT SCALE DRAWING</b> | SCALE: 1:12 | SIZE A | SHEET 1 OF 1 | REV. 0 |
|-----------------------------|-------------|--------|--------------|--------|

B

B

A

A

2

1