

2

1

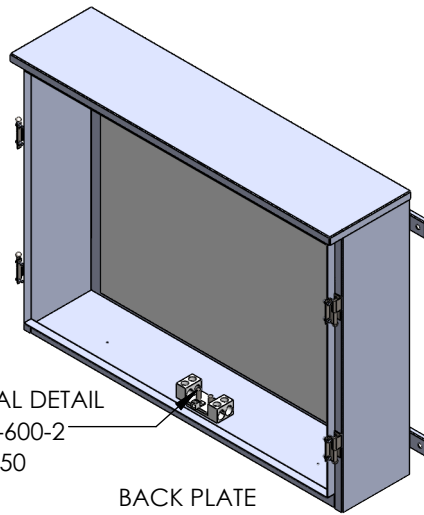
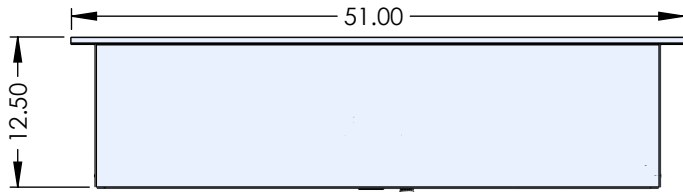
NOTES:

- 1. BOX AND COVER NEMA 3R CONSTRUCTION - GALV SHEET STEEL (14GA).
- 2. FINISH: POWDER COAT GRAY ENAMEL.
- 3. UL LISTED.
- 4. 120/240V FOR SINGLE PHASE (400 AMPS);
208Y/120V OR 480Y/277V FOR 3-PHASE (400-800 AMPS).
- 5. SHORT CIRCUIT CURRENT RATING 50,000 SYM RMS AMPS.
- 6. WIRE ENTRY AND EXIT PERMITTED THROUGH SIDES ONLY.
- 7. EMBOSSED HOLES IN REAR FOR MOUNTING CABINET.
- 8. GALV STEEL BACKPLATE FOR MOUNTING CT.
- 9. HEAVY DUTY STAINLESS STEEL LIFT OFF HINGES.

B

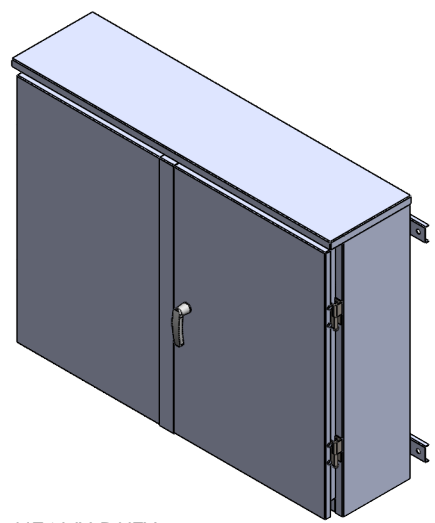
B

TOP VIEW



NEUTRAL DETAIL
(2) ND-600-2
(1) N-150

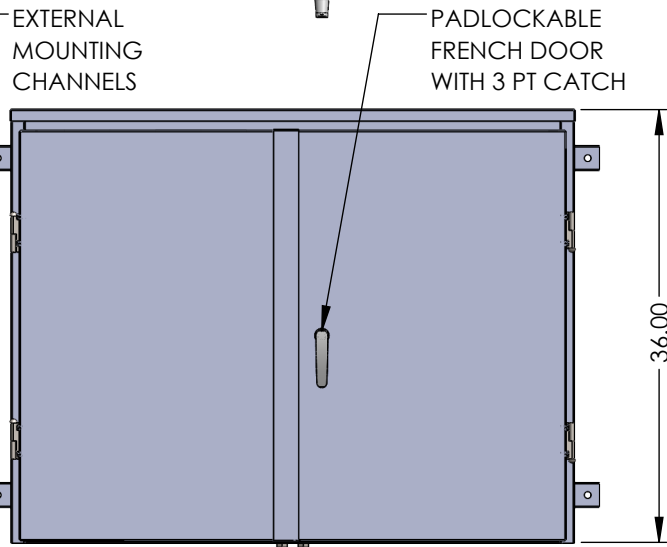
BACK PLATE
32" TALL X
43" WIDE



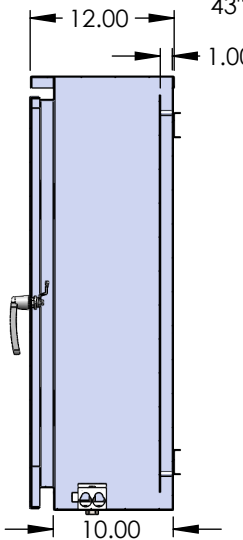
HEAVY DUTY
STAINLESS
STEEL HINGES

A

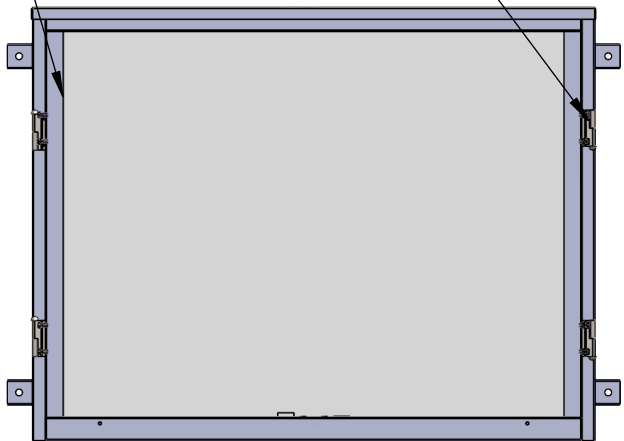
A



FRONT VIEW



SECTIONED SIDE VIEW



FRONT VIEW OPEN

DRAWN BY	NAME	DATE
REVIEWED BY	N. BOSETTI	3/17/2025



155 MARCUS BLVD
HAUPPAUGE, NEW YORK 11788
PH: (718) 257-2111 FAX: (718) 257-2626

MAT'L:	14 GAUGE GALV STEEL
FINISH:	GRAY POWDER COAT ANSI 61
WEIGHT:	

ALL DIMENSIONS ARE NOMINAL UNLESS EXPLICITLY STATED OTHERWISE

DRAWING TITLE:
NATIONAL GRID 800AMP CT CABINET WITH FRENCH DOORS

PART #:
NAV-NG-CTR-8-FD

DO NOT SCALE DRAWING

DESCRIPTION:
NEMA 3R CT CABINET
400-800 AMPS, 47" X 36" X 10"
BUILT TO NATIONAL GRID CT SPEC

SCALE:	1:20	SIZE	A	SHEET	1 OF 1	REV.	1
--------	------	------	---	-------	--------	------	---

2

1